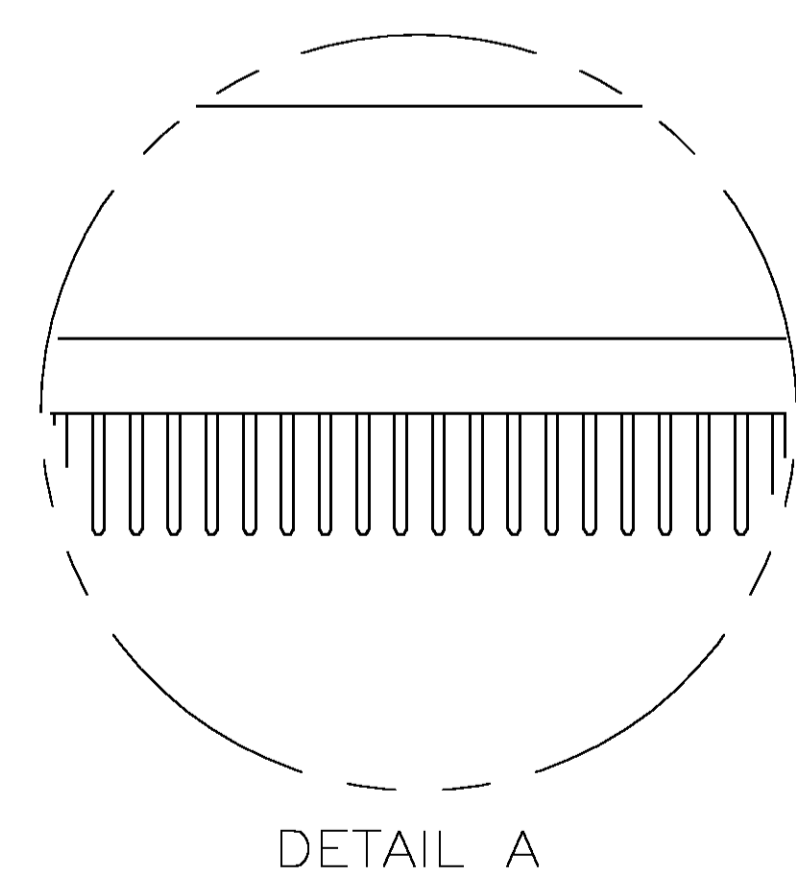
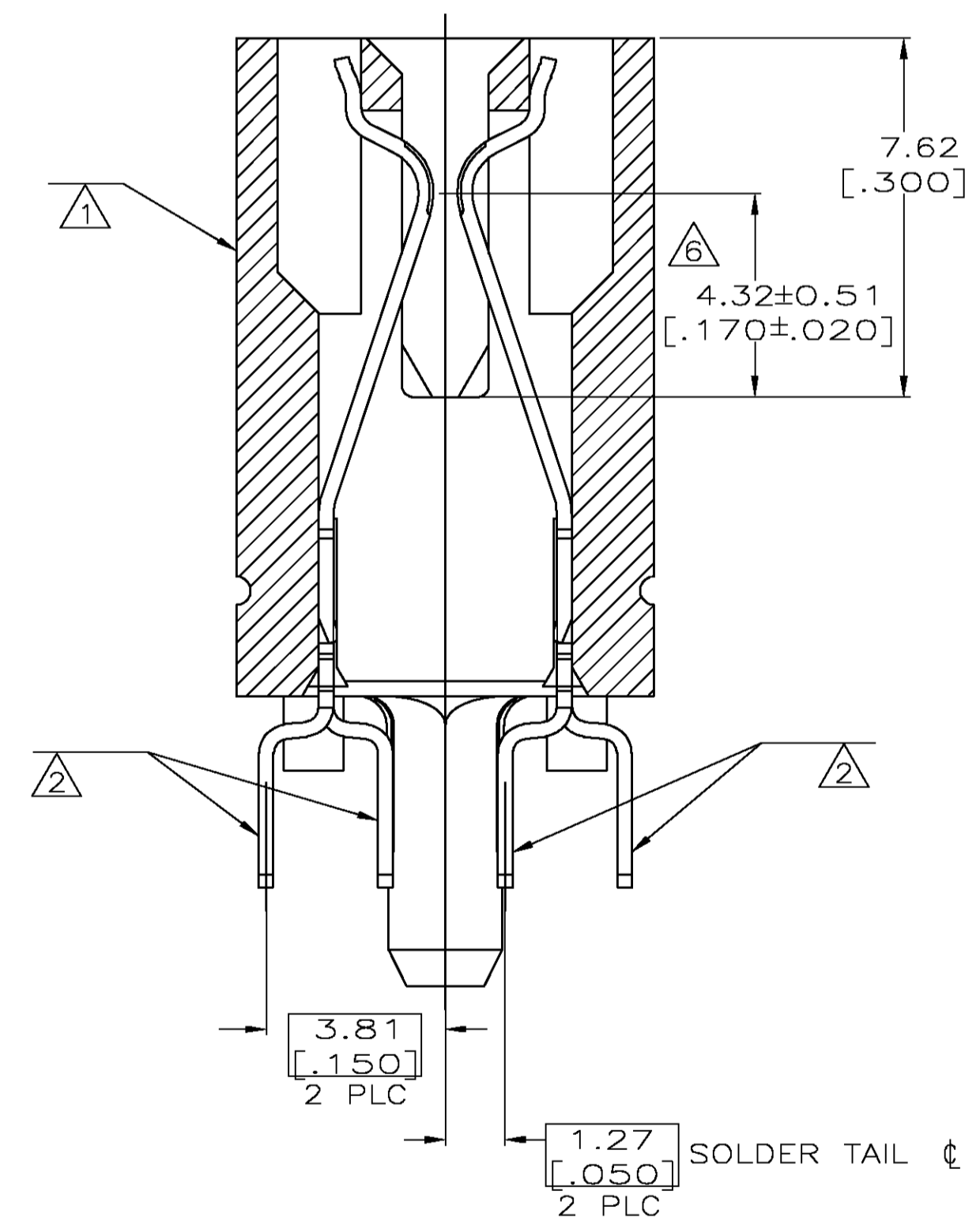


SEE SHEET 2 FOR HOLE PATTERN



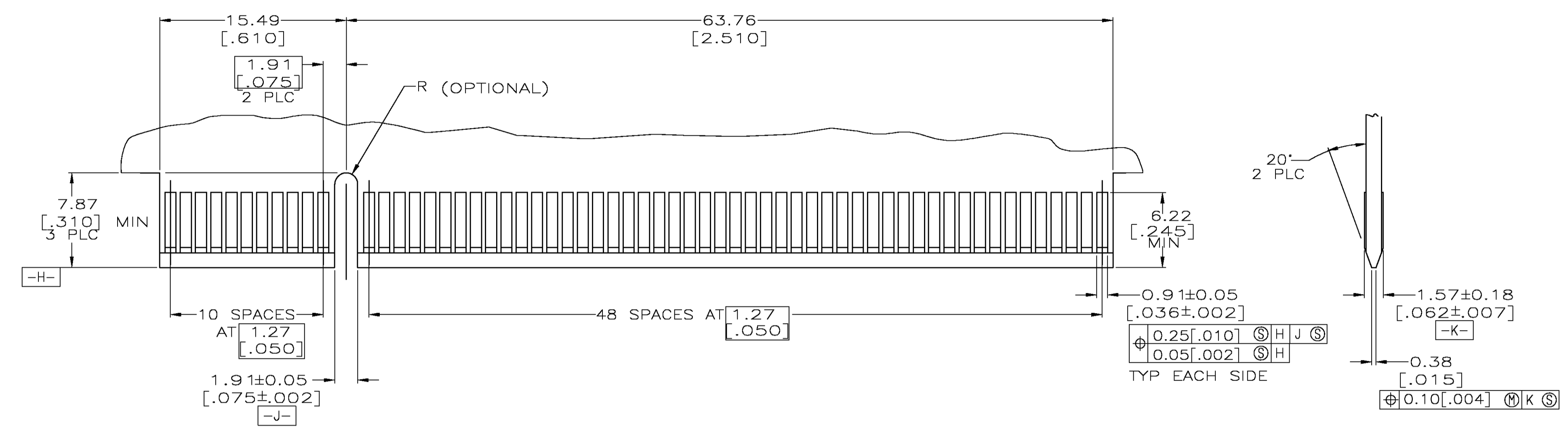
- ① HOUSING: HIGH TEMPERATURE THERMOPLASTIC. COLOR - NATURAL
- ② CONTACT: PHOSPHOR BRONZE.
- ③ CONTACT FINISH: .001269 [.000050] MIN NICKEL ALL OVER. GOLD FLASH OVER NICKEL IN CONTACT AREA. .002537 [.000100] MIN TIN-LEAD OVER NICKEL ON SOLDER TAILS.
- ④ CONTACT FINISH: .001269 [.000050] MIN NICKEL ALL OVER. .000375 [.000015] MIN GOLD OVER NICKEL IN CONTACT AREA. .002537 [.000100] MIN TIN-LEAD OVER NICKEL ON SOLDER TAILS.
- ⑤ CONTACT FINISH: .001269 [.000050] MIN NICKEL ALL OVER. .000757 [.000030] MIN GOLD OVER NICKEL IN CONTACT AREA. .002537 [.000100] MIN TIN-LEAD OVER NICKEL ON SOLDER TAILS.
- ⑥ DISTANCE FROM CONTACT POINT TO BOTTOM OF CARD SLOT.
- ⑦ AMP PART NUMBER, DATE CODE AND CSA LOGO MARKED IN APPROXIMATE LOCATION SHOWN.
- ⑧ CORED OR SOLID SIDE WALLS ARE AT DISCRETION OF AMP INCORPORATED.



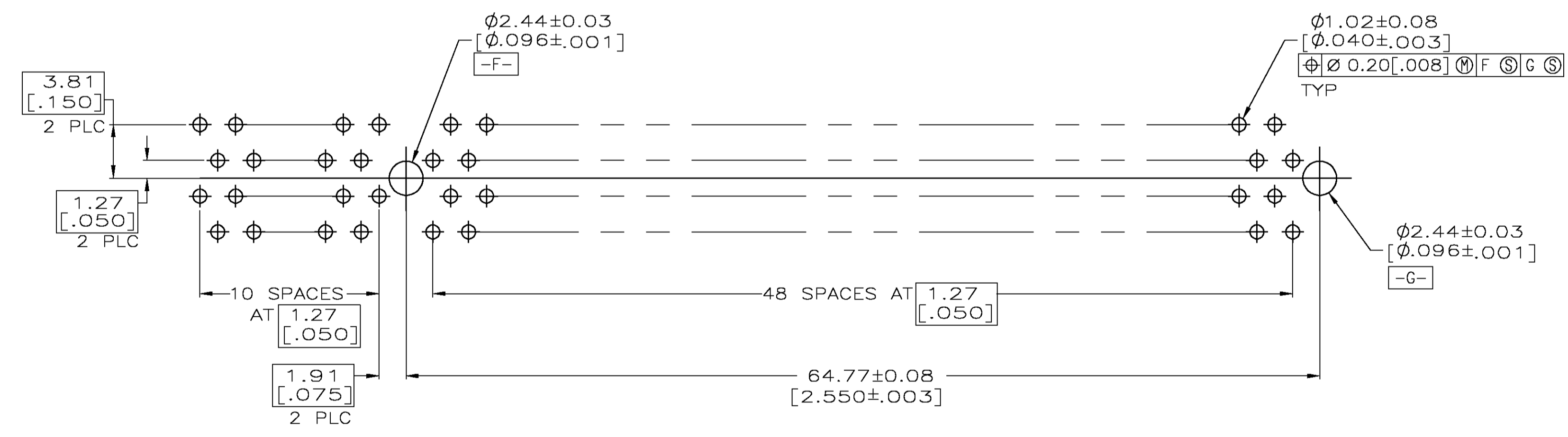
SUPERSEDED BY 145154-4  
 OBSOLETE

3.56 [.140]	①	1-145154-2
3.18 [.125]	②	145154-8
2.54 [.100]	③	145154-4
2.54 [.100]	④	145154-3
2.54 [.100]	⑤	145154-2
2.54 [.100]	⑥	145154-1
W	FINISH	PART NUMBER

THIS DRAWING IS A CONTROLLED DOCUMENT.		DMN R BROWN 6/9/95	Tyco Electronics Corporation Harrisburg, Pa 17105-3608
DIMENSIONS: mm		CHK M BOWERS 6/9/95	
TOLERANCES UNLESS OTHERWISE SPECIFIED:		APVD	NAME
0 PLC ± -	1 PLC ± -	PRODUCT SPEC	CONNECTOR ASSEMBLY,
2 PLC ± 0.25 [.01]	3 PLC ± 0.127 [.005]	APPLICATION SPEC	60 DUAL POSITION,
4 PLC ± - Z	ANGLES ± - Z	SIZE	1.27 [.050] SERIES,
MATERIAL	FINISH	WEIGHT	RESTRICTED TO
①②	③④⑤	A1 00779	145154
CUSTOMER DRAWING		SCALE 4:1	SHEET 1 OF 2



RECOMMENDED MATING BOARD EDGE CONFIGURATION



RECOMMENDED CONNECTOR MOUNTING HOLE PATTERN  
(CONNECTOR SIDE SHOWN)

THIS DRAWING IS A CONTROLLED DOCUMENT.		DN R BROWN	6/9/95		Tyco Electronics Corporation Harrisburg, Pa 17105-3608	
DIMENSIONS: mm		CHK M BOWERS	6/9/95		NAME CONNECTOR ASSEMBLY, 60 DUAL POSITION, 1.27 [0.050] SERIES,	
TOLERANCES UNLESS OTHERWISE SPECIFIED:		APVD		PRODUCT SPEC 108-14034		
0 PLC ± - 1 PLC ± - 2 PLC ± 0.25 [.01] 3 PLC ± 0.127 [.005] 4 PLC ± - ± Z ANGLES ± - ± Z		APPLICATION SPEC		SIZE 114-26012		
MATERIAL SEE SHEET 1		FINISH SEE SHEET 1		WEIGHT		RESTRICTED TO
CUSTOMER DRAWING				SCALE 4:1		SHEET 2 OF 2
				DRAWING NO A1 00779		REV F