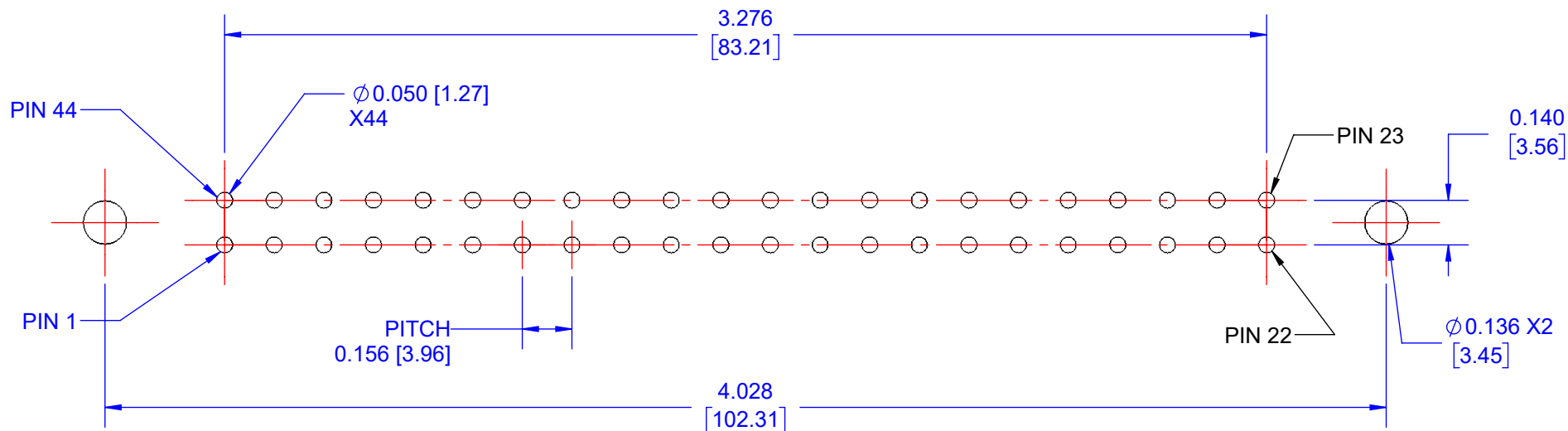
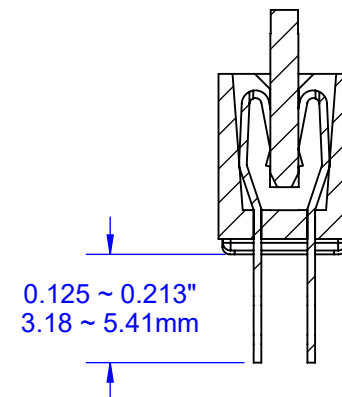


Notes: (Unless Otherwise Specified)  
1. DIMENSIONS: INCH [mm].

APPROVALS	DATE	<b>TopLine®</b>			
DRAWN T.Au	09/02/25				
ENG M. Hart	09/02/25	TITLE 22/44L EDGE CONNECTOR FOR B25 900025 BOARD			
MFG		SCALE 5:4	SIZE A	DRAWING NO. 172422	REV A
QA		DO NOT SCALE DRAWING			SHEET 1 OF 4
CUST					
REVISED					

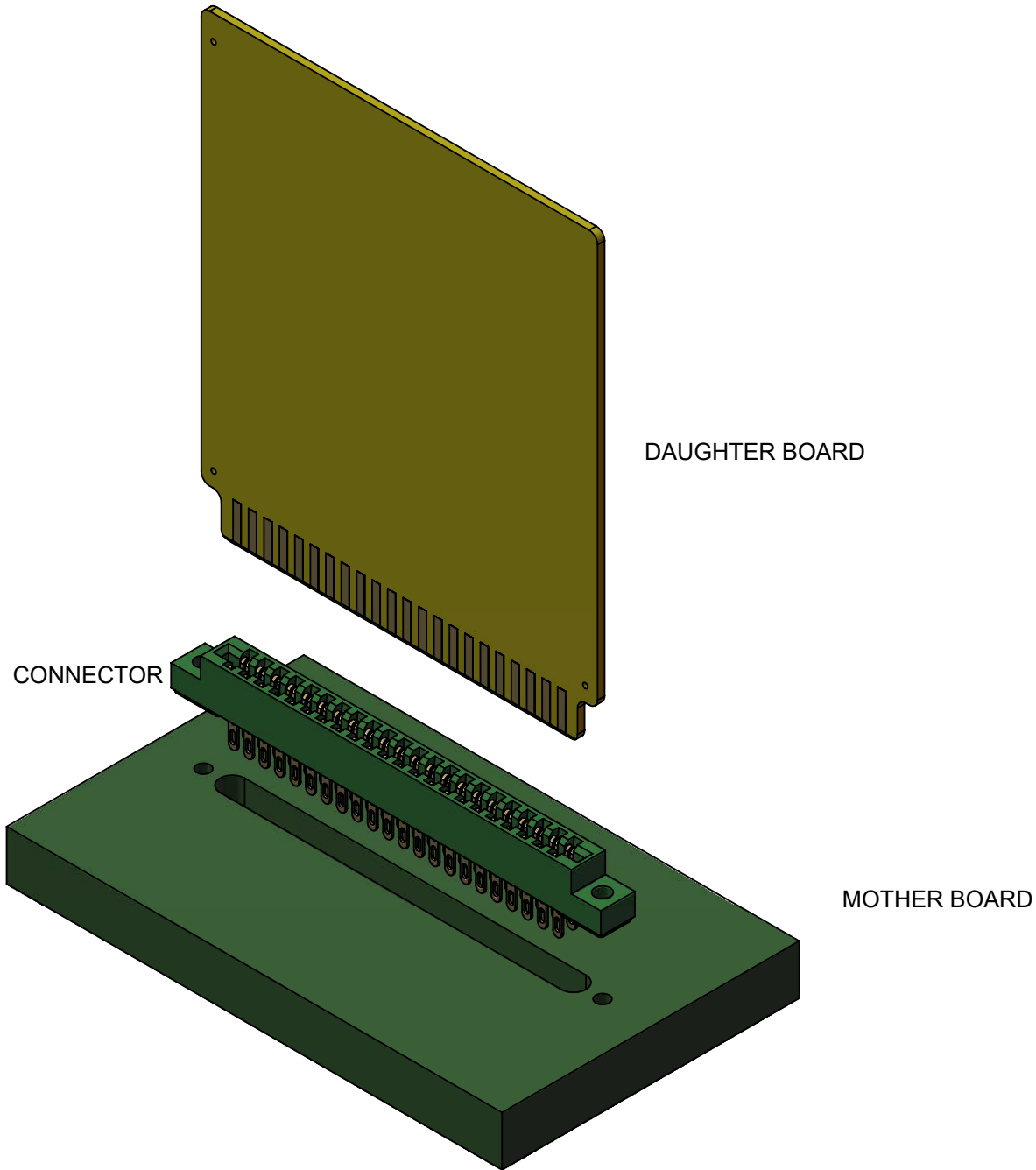
**OPTIONAL PCB MOUNTING  
THROUGH-HOLE PINS  
STANDARD 0.125" (3.18mm TAILS)  
ALTERNATIVE 0.213" (5.41 mm TAILS)**



Notes: (Unless Otherwise Specified)  
1. DIMENSIONS: INCH [mm].

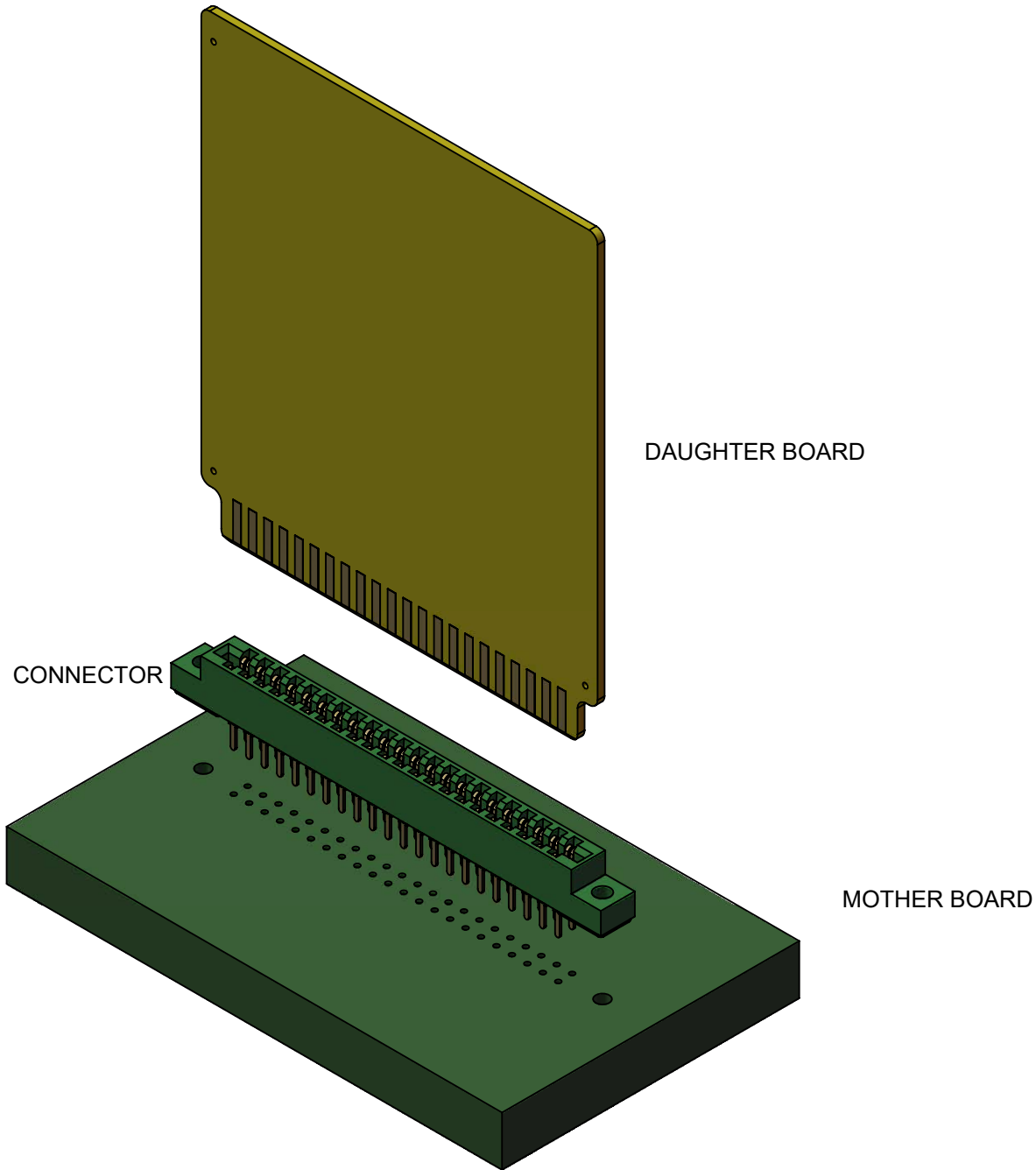
<b>TopLine<sup>®</sup></b>			
TITLE 22/44L EDGE CONNECTOR FOR B25 900025 BOARD			
SCALE 2:1	SIZE A	DRAWING NO. 172422	REV A
DO NOT SCALE DRAWING		SHEET 2 OF 4	

# EXPLODED VIEW



<b>TopLine<sup>®</sup></b>			
TITLE 22/44L EDGE CONNECTOR FOR B25 900025 BOARD			
SCALE 1:1.2	SIZE A	DRAWING NO. 172422	REV A
DO NOT SCALE DRAWING			SHEET 3 OF 4

# EXPLODED VIEW



<b>TopLine<sup>®</sup></b>			
TITLE 22/44L EDGE CONNECTOR FOR B25 900025 BOARD			
SCALE	SIZE	DRAWING NO.	REV
1:1.2	A	172422	A
DO NOT SCALE DRAWING			SHEET 4 OF 4