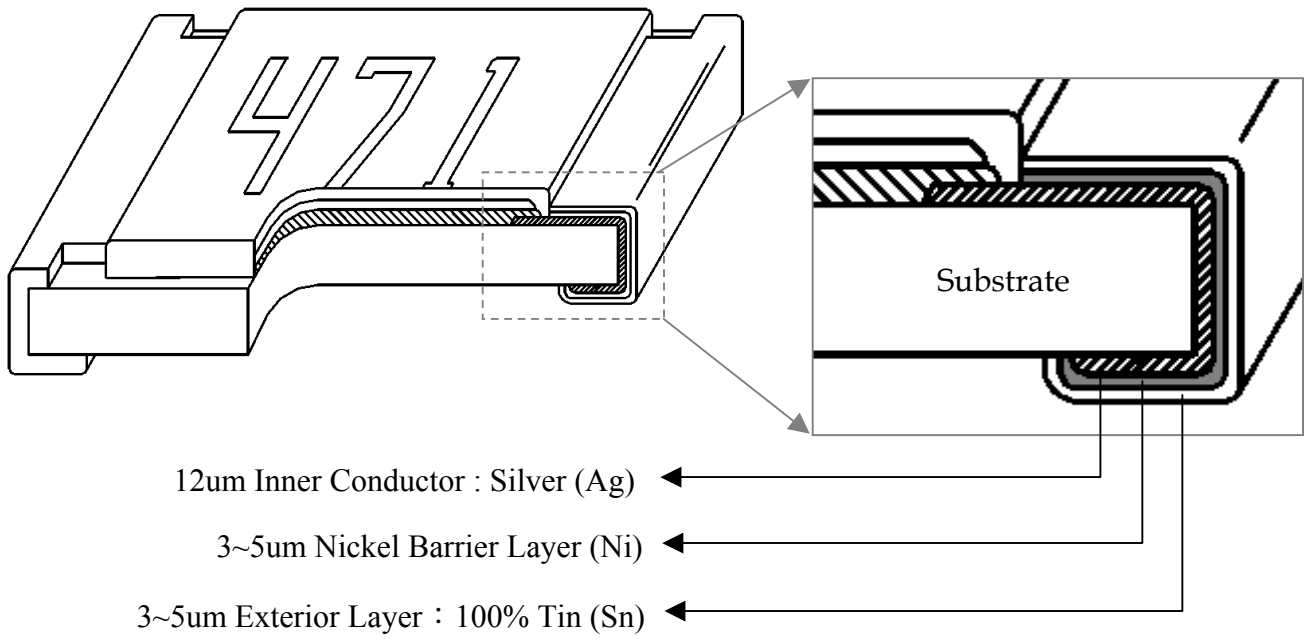


**Typical Termination Structure of  
Lead Free Chip Resistor  
Pb-Free**



Sputtering process: >0.001um NiCr layer is under the Nickel (Ni) layer.