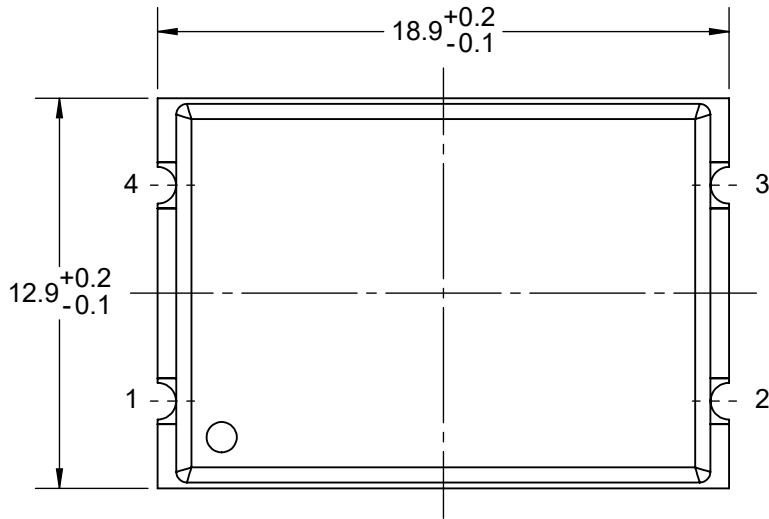
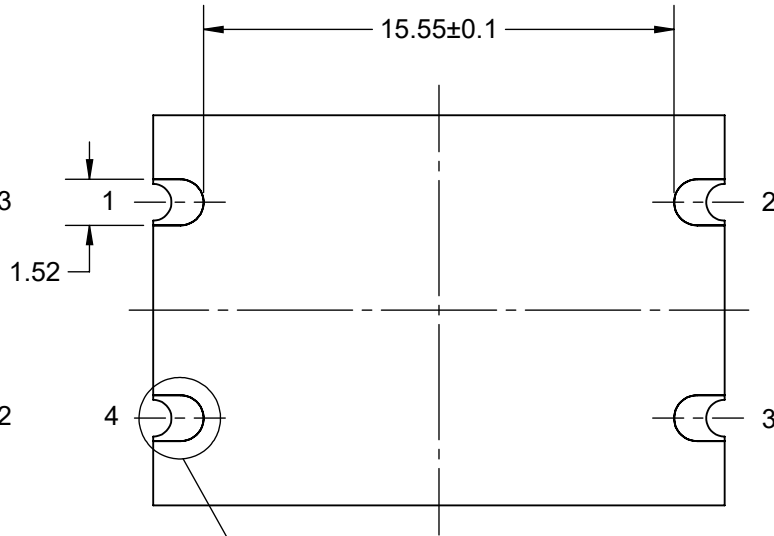


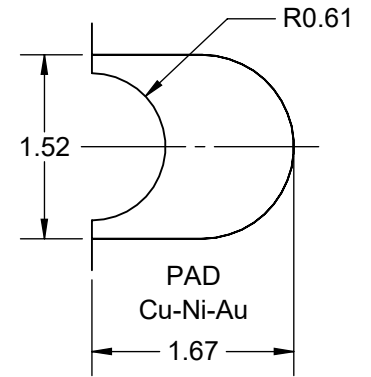
TOP VIEW



BOTTOM VIEW

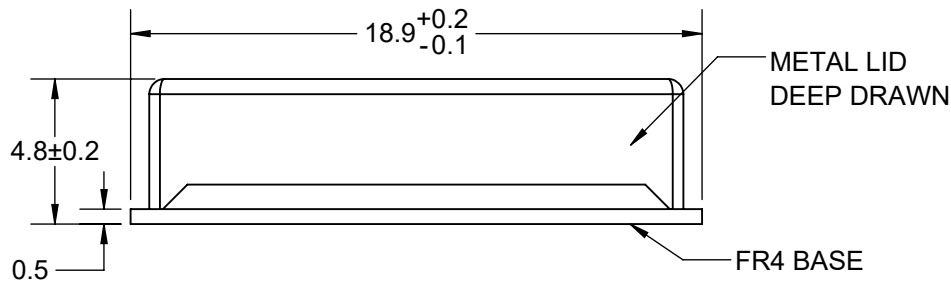


**DETAIL A
4X PLACE**

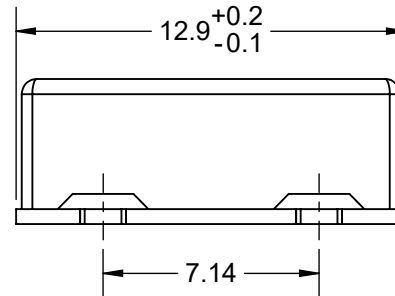


DETAIL A
PAD

SIDE VIEW



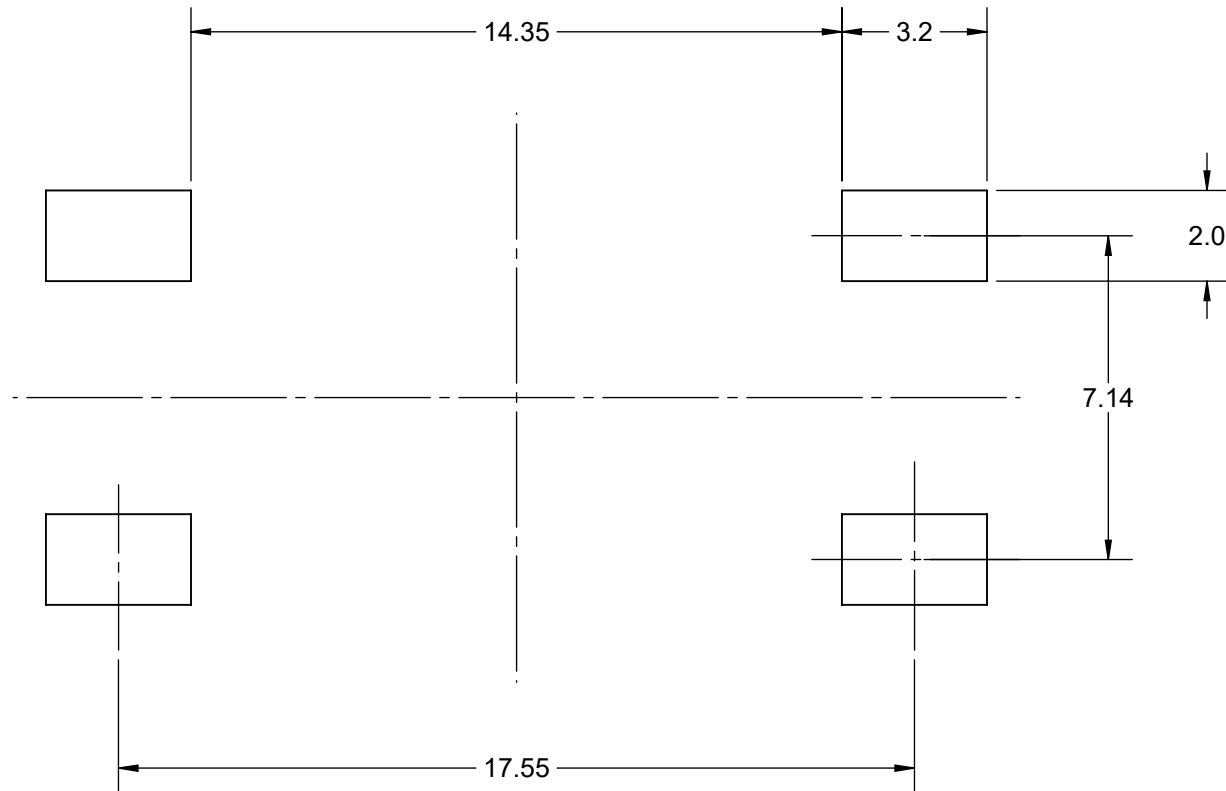
END VIEW



NOTES: (Unless Otherwise Specified)
1. DIMENSIONS IN mm.

APPROVALS	DATE	TopLine®			
DRAWN T. Au	8/23/2020				
ENG M. Hart	8/23/2020	TITLE LCC4-19x13x4.8-FR4 CRYSTAL OSCILLATOR			
MFG		SCALE	SIZE	DRAWING NO.	REV
QA		4:1	A	121913	A
CUST		DO NOT SCALE DRAWING			SHEET 1 OF 4
REVISED					

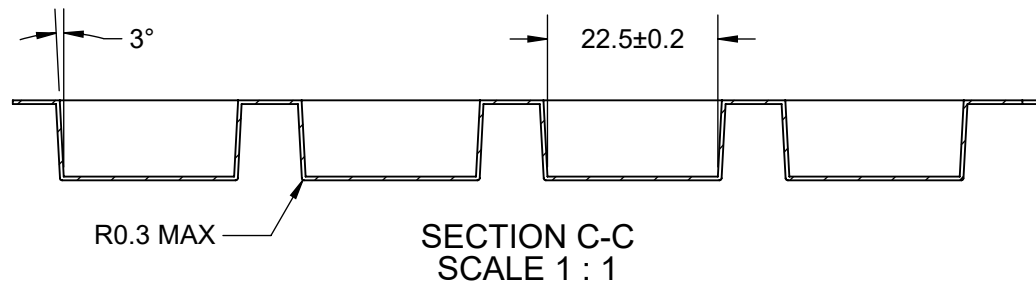
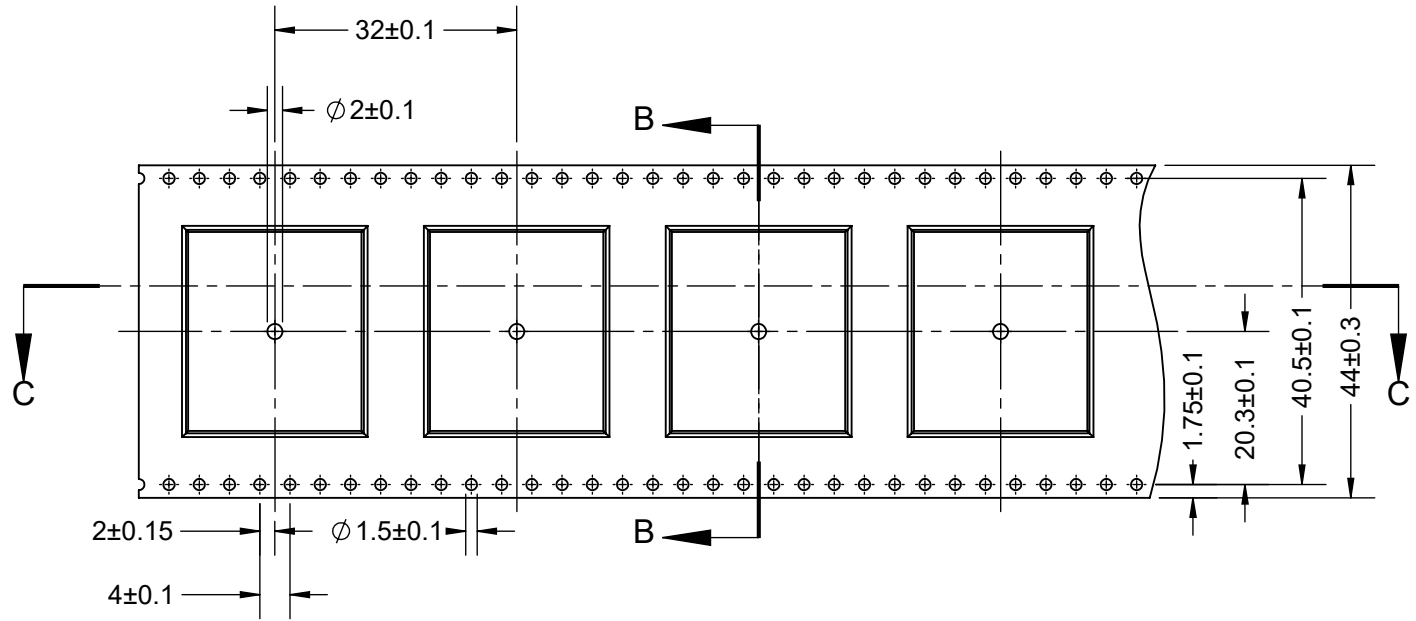
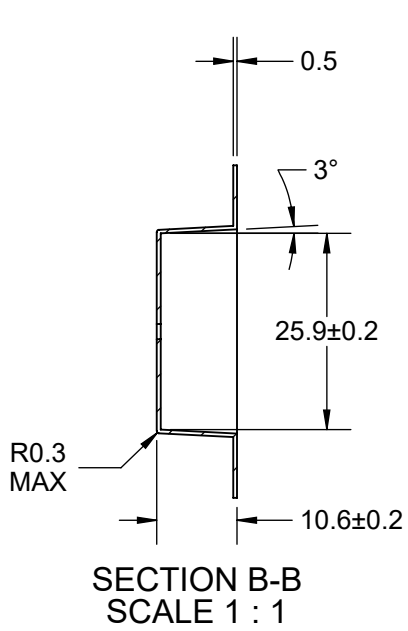
PC BOARD LAYOUT



NOTES: (Unless Otherwise Specified)
1. DIMENSIONS IN mm.

TopLine[®]			
TITLE LCC4-19x13x4.8-FR4 CRYSTAL OSCILLATOR			
SCALE 6:1	SIZE A	DRAWING NO. 121913	REV A
DO NOT SCALE DRAWING			SHEET 2 OF 4

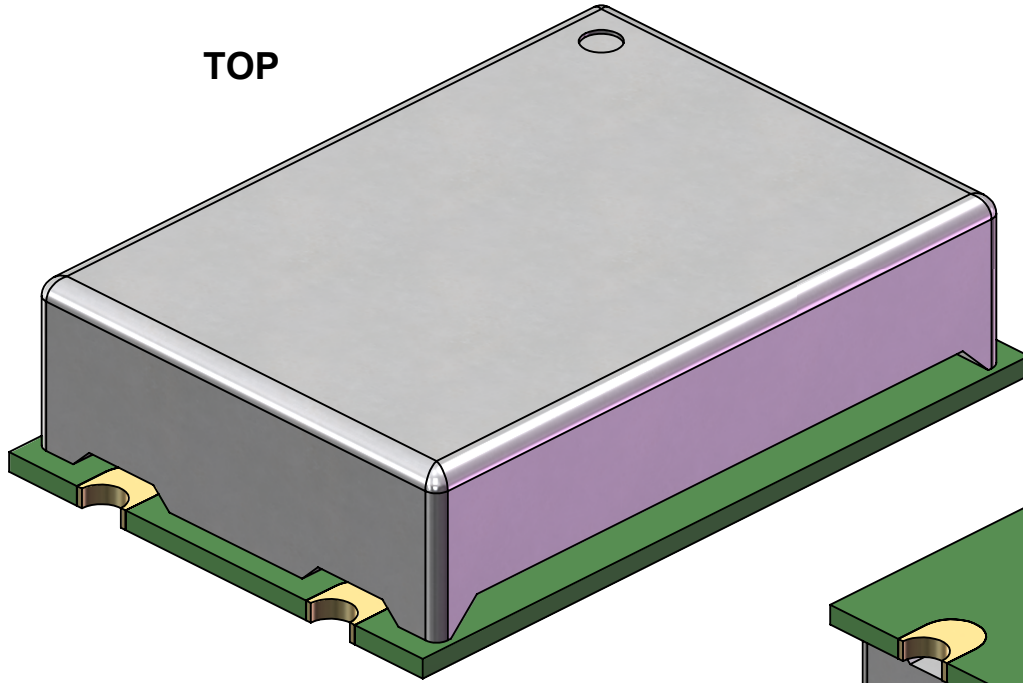
TAPE AND REEL



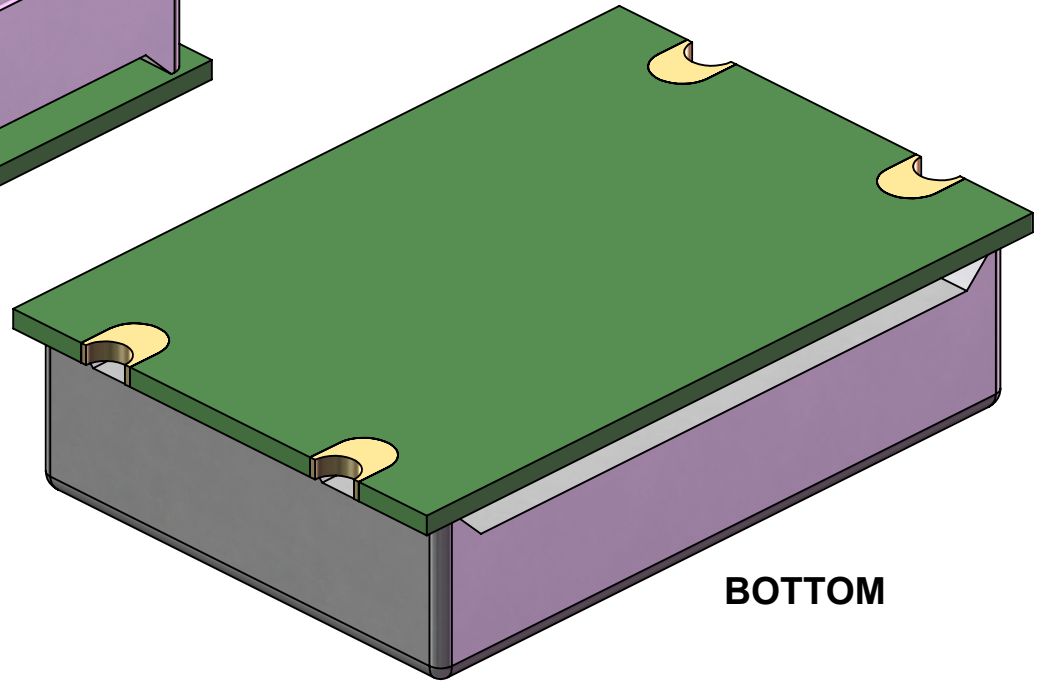
TopLine®			
TITLE LCC4-19x13x4.8-FR4 CRYSTAL OSCILLATOR			
SCALE 1:1	SIZE A	DRAWING NO. 121913	REV A
DO NOT SCALE DRAWING			SHEET 3 OF 4

MODEL

TOP



BOTTOM



TopLine[®]

TITLE LCC4-19x13x4.8-FR4
CRYSTAL OSCILLATOR

SCALE	SIZE	DRAWING NO.	REV
6:1	A	121913	A

DO NOT SCALE DRAWING

SHEET 4 OF 4