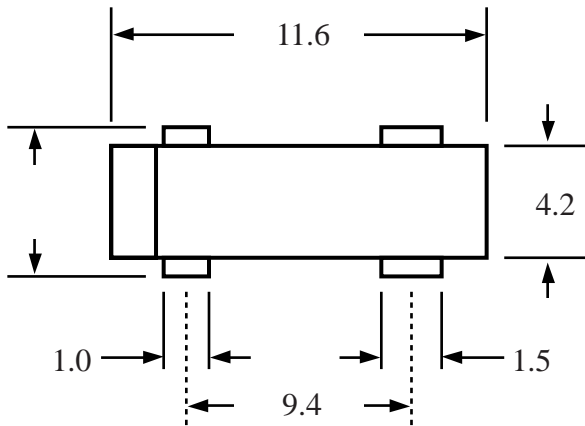
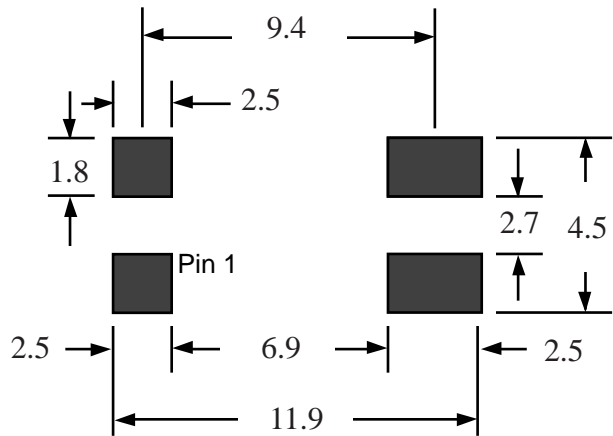


Part # **SX4516**
Molded Crystal
 Body Size **11.6 x 4.2mm**
 Dwg SX4516.pdf

TopLine™
 Tel 1-714-898-3830
 info@topline.to

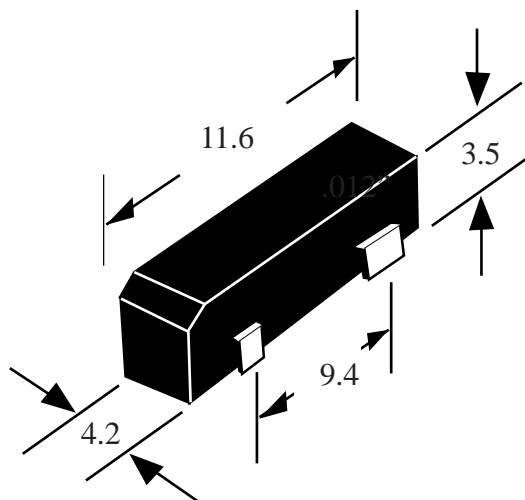


Top View

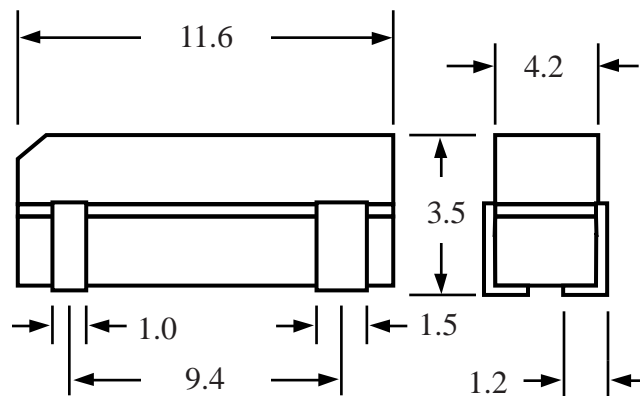


PC Board

Dimensions = mm



Quick View



Side View Detail