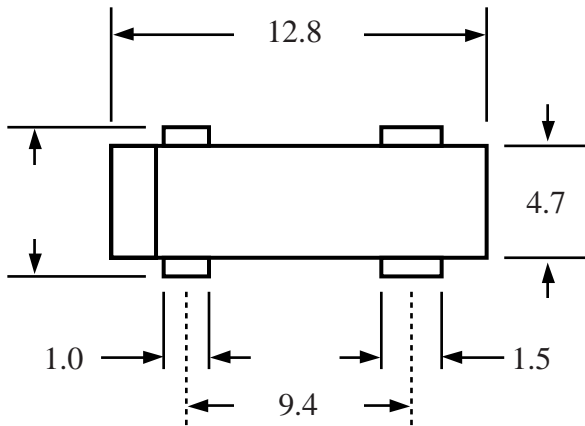
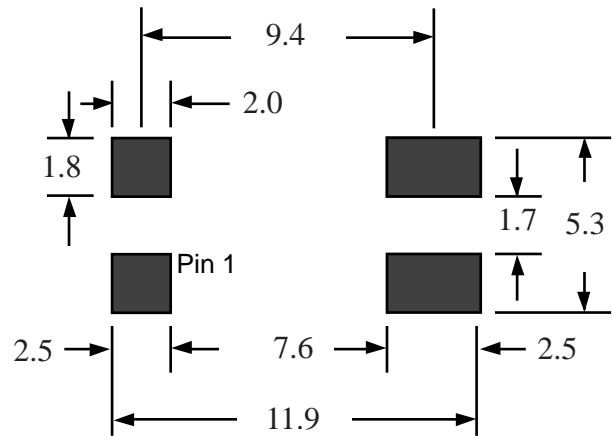


Part # **SX5018**
Molded Crystal
 Body Size **12.8 x 4.7mm**
 Dwg SX5018.pdf

TopLineTM
 Tel 1-714-898-3830
 info@topline.to

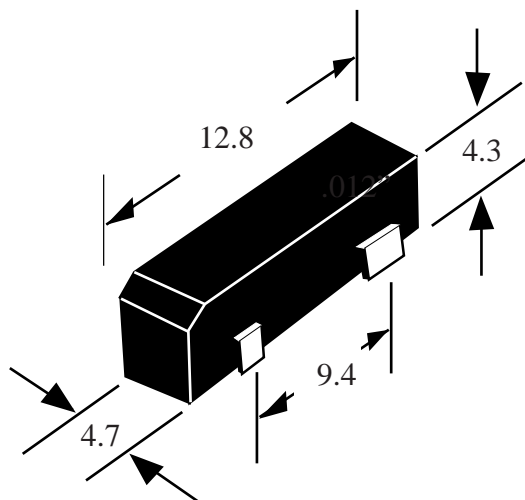


Top View

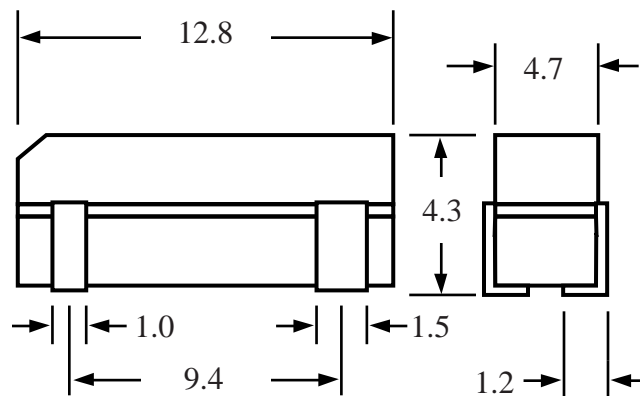


PC Board

Dimensions = mm



Quick View



Side View Detail