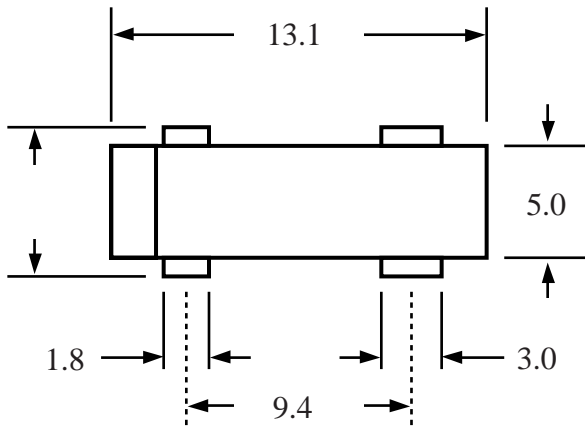
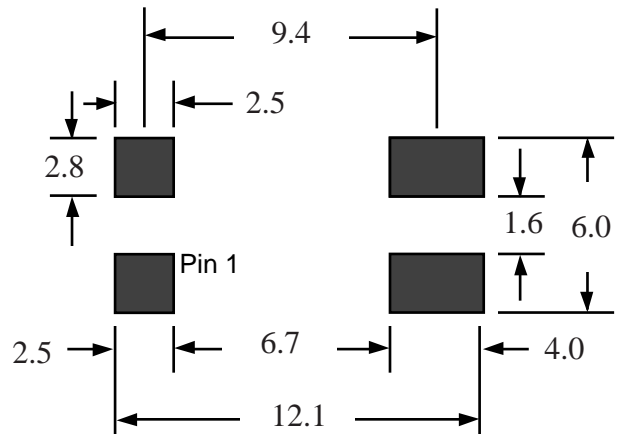


Part # **SX5020**
Molded Crystal
 Body Size **13.2 x 5mm**
 Dwg SX5020.pdf

TopLine™
 Tel 1-714-898-3830
 info@topline.to

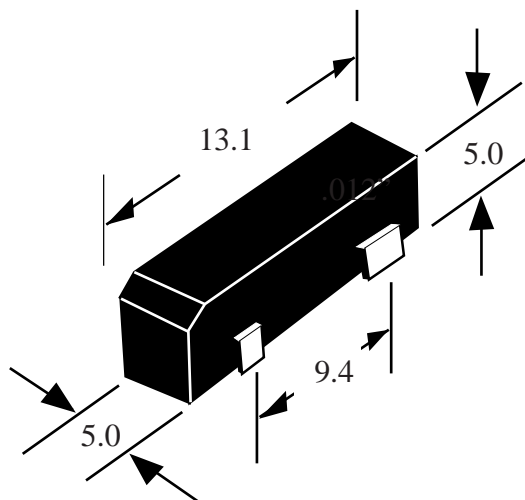


Top View

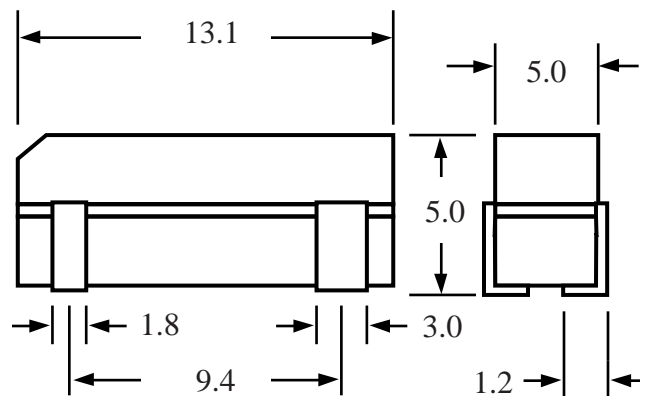


PC Board

Dimensions = mm



Quick View



Side View Detail