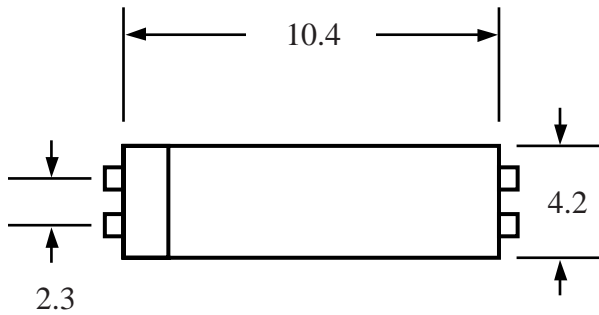
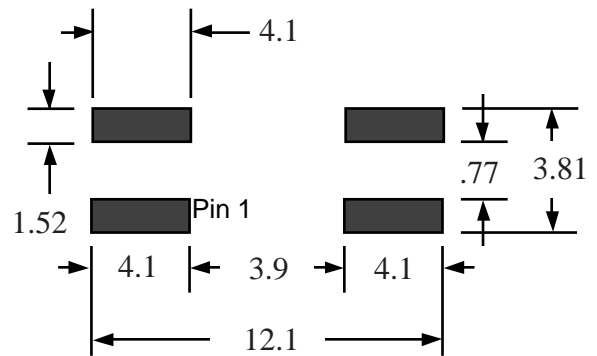


Part # **SXE4016**  
**Molded Crystal**  
 Body Size **10.4 x 4.2mm**  
 Dwg SXE4016.pdf

**TopLine**™  
 Tel 1-714-898-3830  
 info@topline.to

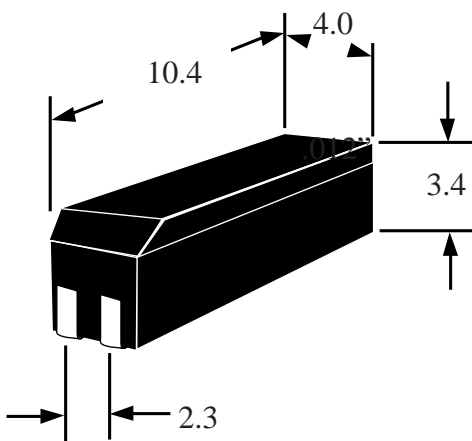


Top View

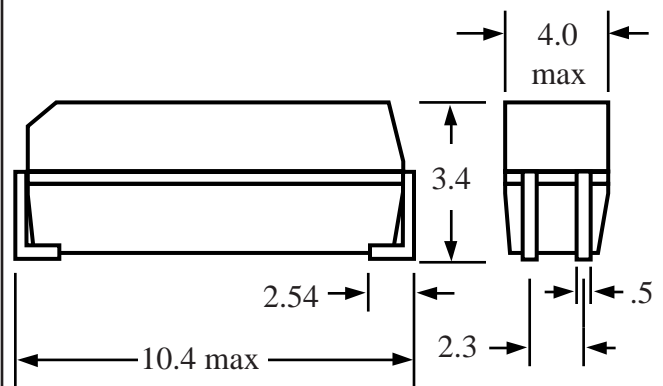


PC Board

Dimensions = mm



Quick View



Side View Detail