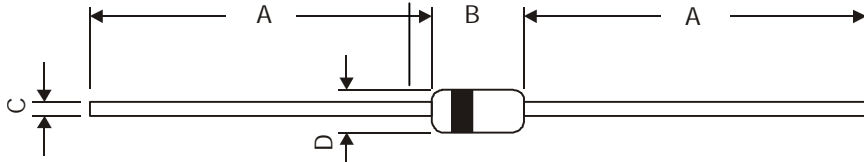


### DO-35 Glass Axial Package

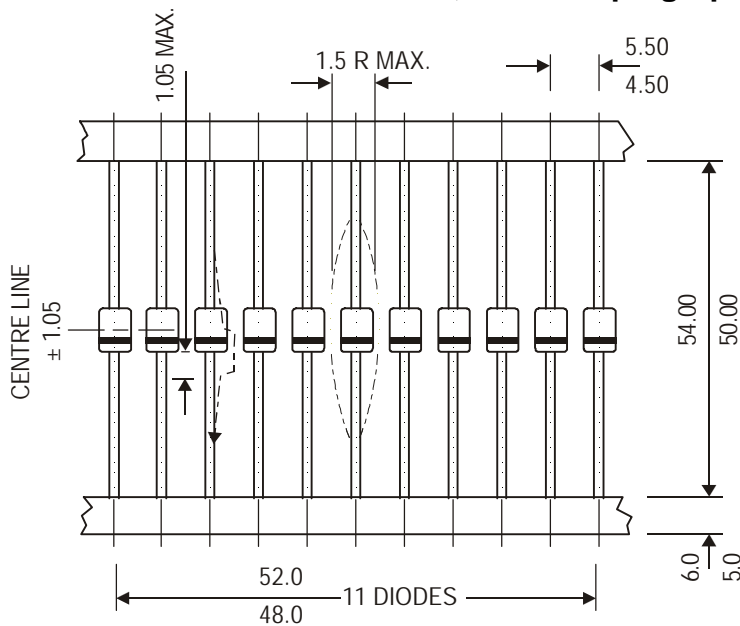


NOTE: Cathode is marked by Band.

DIM	MIN	MAX
A	25.40	—
B	3.05	4.15
C	0.46	0.56
D	1.70	2.29

All dimensions are in mm.

### DO-35, 52mm Taping Specification

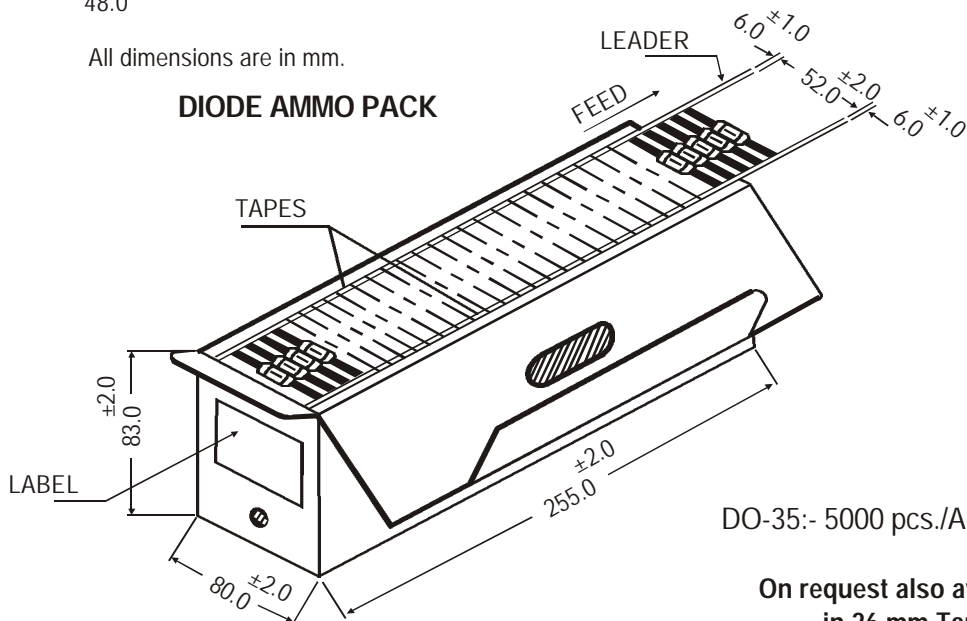


All dimensions are in mm.

### 52 mm Taping Specification

1. T & A indicates Axial Tape and Ammo Packing (52 mm Tape Spacing).
2. 300 mm (min) leader tape on every tape.
3. No. of empty places allowed 0.25% without consecutive empty places.
4. Ends of leads shall preferably not protrude beyond the tapes.
5. Components shall be held sufficiently in the tape or tapes so that they can not come free in normal handling.

### DIODE AMMO PACK



DO-35:- 5000 pcs./Ammo Pack

On request also available  
in 26 mm Tape

### Packing Detail

PACKAGE	STANDARD PACK		INNER CARTON BOX		OUTER CARTON BOX		
	Details	Net Weight/Qty	Size	Qty	Size	Qty	Gr Wt
DO-35 T&A	5K/ammo box	0.88 kg/5K pcs	10" x 3.2" x 3.2"	5K	12.7" x 12.7" x 20"	125K	25 kgs