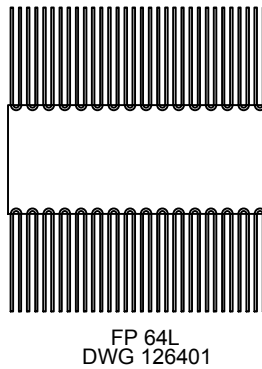
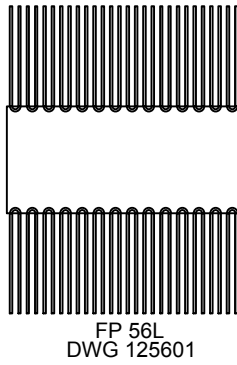
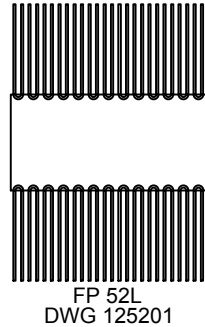
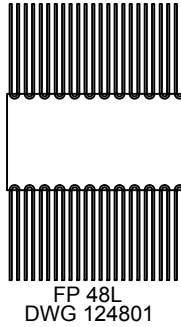
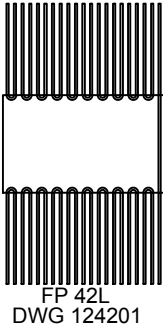
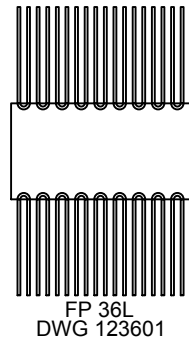
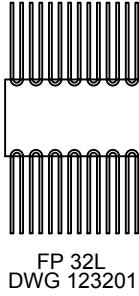
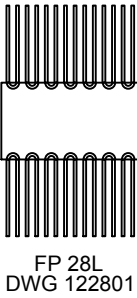
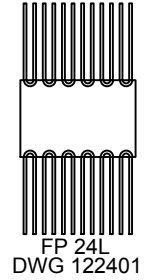
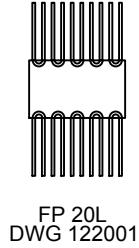
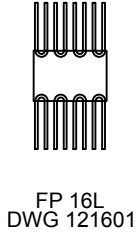
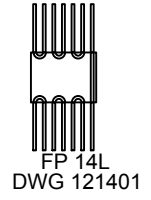
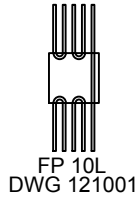
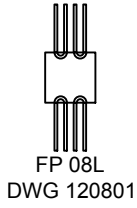
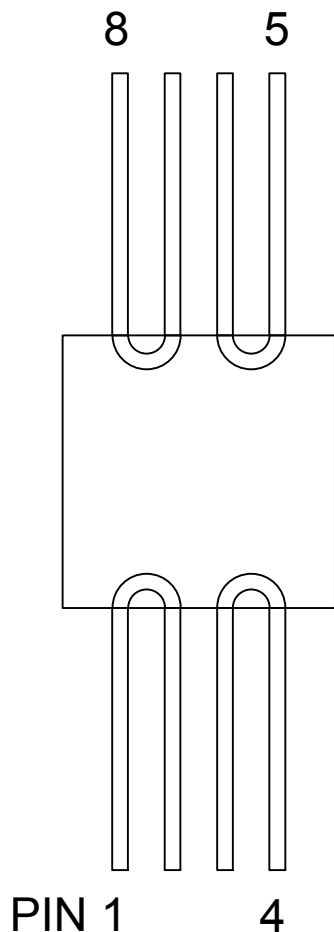


DAISY CHAIN FP - FLAT PACK



APPROVALS	DATE	TopLine®			
DRAWN T. Au	04/16/12	DAISY CHAIN FP FLAT PACK			
ENG M. Hart	04/16/12				
MFG		TITLE			
QA		SCALE	SIZE	DRAWING NO.	REV
CUST			A	121000	A
REVISED		DO NOT SCALE DRAWING			SHEET 1 OF 15

DAISY CHAIN TOP VIEW (INTERNAL CONNECTIONS)



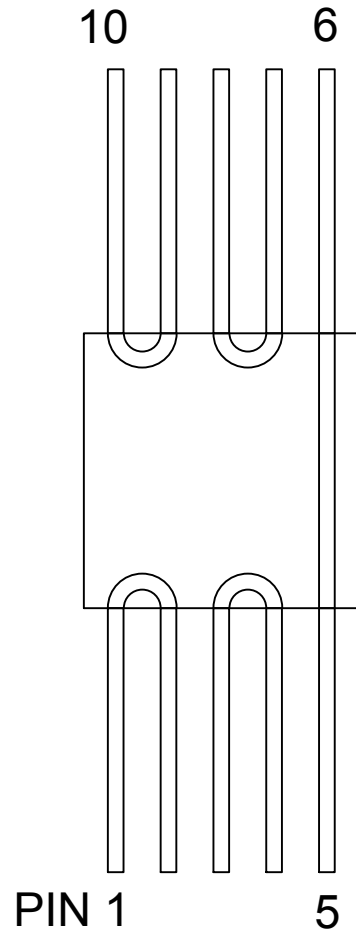
DAISY CHAIN NET LIST	
PINS	PINS
1 ~ 2	5 ~ 6
3 ~ 4	7 ~ 8

NOTES:

1. DAISY CHAIN WIRE BONDED TO INTERNAL PADS.
2. SEE NET LIST FOR CONNECTIONS BETWEEN PINS.
3. DRAWING NOT TO SCALE.

TopLine[®]			
TITLE		FP08 DAISY CHAIN PIN CONNECTIONS	
SCALE	SIZE A	DRAWING NO. 120801	REV A
DO NOT SCALE DRAWING			SHEET 2 OF 15

DAISY CHAIN TOP VIEW (INTERNAL CONNECTIONS)



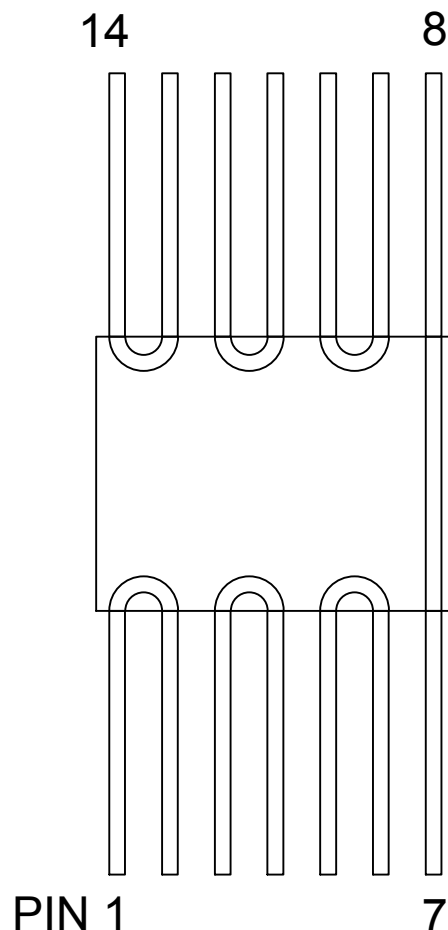
DAISY CHAIN NET LIST	
PINS	PINS
1 ~ 2	7 ~ 8
3 ~ 4	9 ~ 10
5 ~ 6	

NOTES:

1. DAISY CHAIN WIRE BONDED TO INTERNAL PADS.
2. SEE NET LIST FOR CONNECTIONS BETWEEN PINS.
3. DRAWING NOT TO SCALE.

TopLine®			
TITLE		FP10 DAISY CHAIN PIN CONNECTIONS	
SCALE	SIZE	DRAWING NO.	REV
	A	121001	A
DO NOT SCALE DRAWING			SHEET 3 OF 15

DAISY CHAIN TOP VIEW (INTERNAL CONNECTIONS)



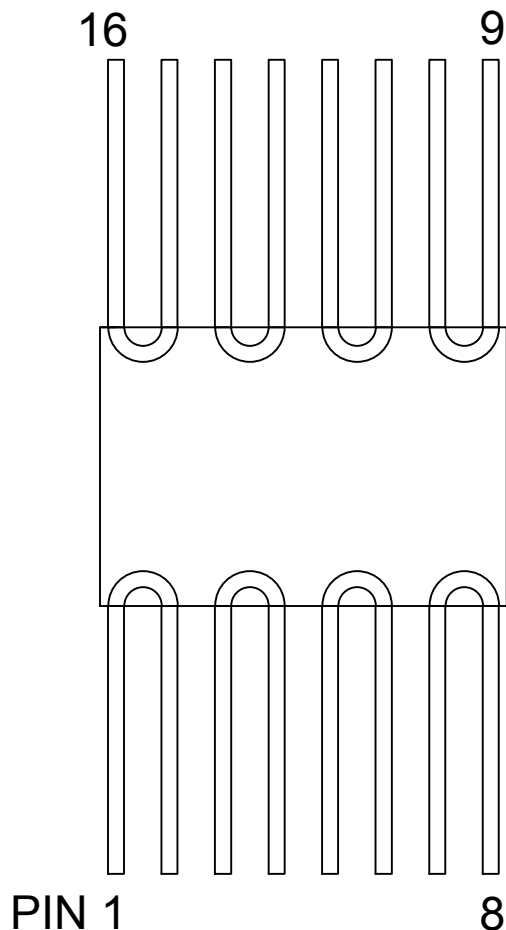
DAISY CHAIN NET LIST	
PINS	PINS
1 ~ 2	9 ~ 10
3 ~ 4	11 ~ 12
5 ~ 6	13 ~ 14
7 ~ 8	

NOTES:

1. DAISY CHAIN WIRE BONDED TO INTERNAL PADS.
2. SEE NET LIST FOR CONNECTIONS BETWEEN PINS.
3. DRAWING NOT TO SCALE.

TopLine[®]			
TITLE		FP14 DAISY CHAIN PIN CONNECTIONS	
SCALE	SIZE	DRAWING NO.	REV
	A	121401	A
DO NOT SCALE DRAWING			SHEET 4 OF 15

DAISY CHAIN TOP VIEW (INTERNAL CONNECTIONS)



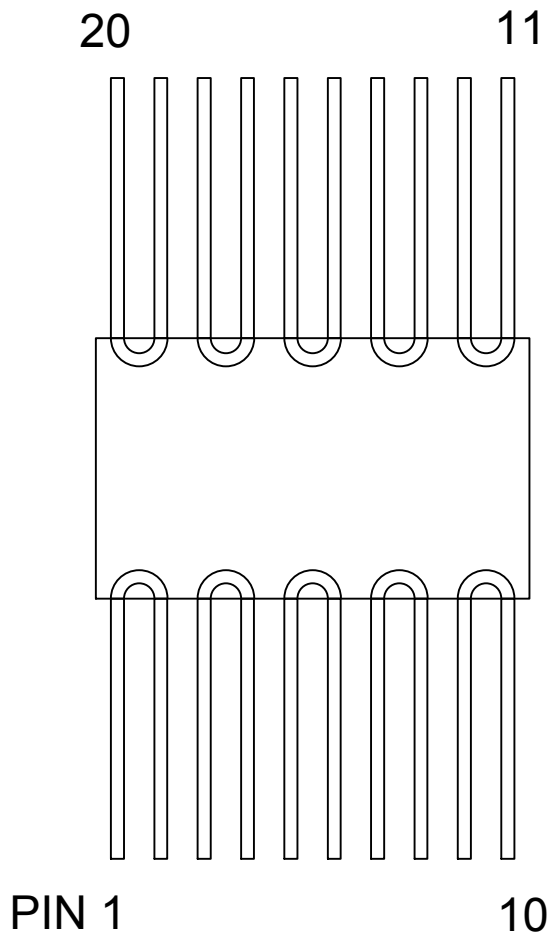
DAISY CHAIN NET LIST	
PINS	PINS
1 ~ 2	9 ~ 10
3 ~ 4	11 ~ 12
5 ~ 6	13 ~ 14
7 ~ 8	15 ~ 16

NOTES:

1. DAISY CHAIN WIRE BONDED TO INTERNAL PADS.
2. SEE NET LIST FOR CONNECTIONS BETWEEN PINS.
3. DRAWING NOT TO SCALE.

TopLine[®]			
TITLE FP16 DAISY CHAIN PIN CONNECTIONS			
SCALE	SIZE A	DRAWING NO. 121601	REV A
DO NOT SCALE DRAWING			SHEET 5 OF 15

DAISY CHAIN TOP VIEW (INTERNAL CONNECTIONS)



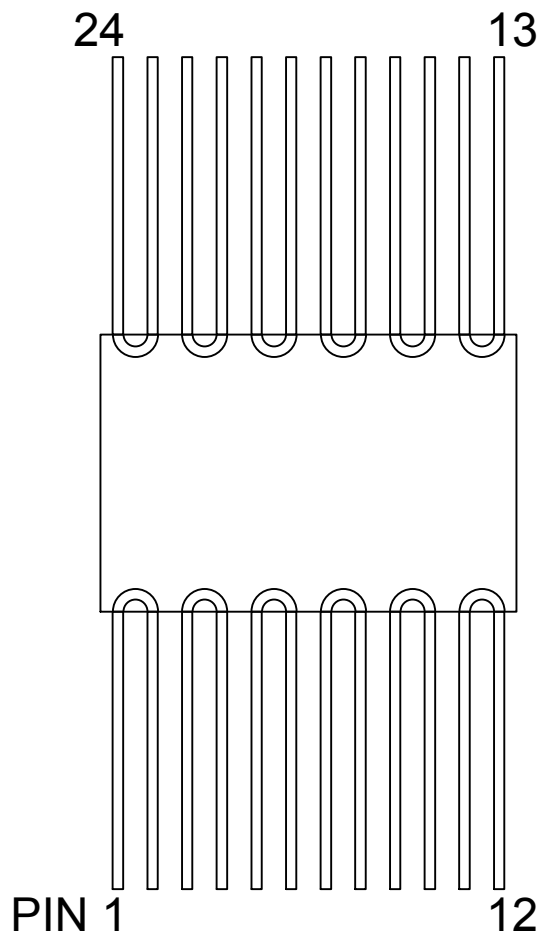
DAISY CHAIN NET LIST	
PINS	PINS
1 ~ 2	11 ~ 12
3 ~ 4	13 ~ 14
5 ~ 6	15 ~ 16
7 ~ 8	17 ~ 18
9 ~ 10	19 ~ 20

NOTES:

1. DAISY CHAIN WIRE BONDED TO INTERNAL PADS.
2. SEE NET LIST FOR CONNECTIONS BETWEEN PINS.
3. DRAWING NOT TO SCALE.

TopLine®			
TITLE		FP20 DAISY CHAIN PIN CONNECTIONS	
SCALE	SIZE A	DRAWING NO. 122001	REV A
DO NOT SCALE DRAWING			SHEET 6 OF 15

DAISY CHAIN TOP VIEW (INTERNAL CONNECTIONS)



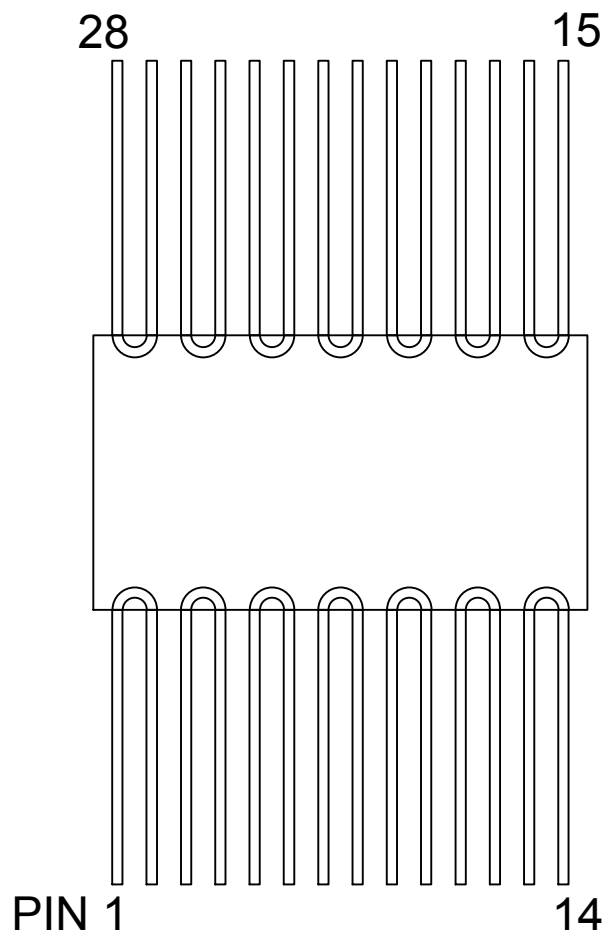
DAISY CHAIN NET LIST		
PINS	PINS	PINS
1 ~ 2	11 ~ 12	21 ~ 22
3 ~ 4	13 ~ 14	23 ~ 24
5 ~ 6	15 ~ 16	
7 ~ 8	17 ~ 18	
9 ~ 10	19 ~ 20	

NOTES:

1. DAISY CHAIN WIRE BONDED TO INTERNAL PADS.
2. SEE NET LIST FOR CONNECTIONS BETWEEN PINS.
3. DRAWING NOT TO SCALE.

TopLine®			
TITLE FP24 DAISY CHAIN PIN CONNECTIONS			
SCALE	SIZE	DRAWING NO.	REV
	A	122401	A
DO NOT SCALE DRAWING			SHEET 7 OF 15

DAISY CHAIN TOP VIEW (INTERNAL CONNECTIONS)



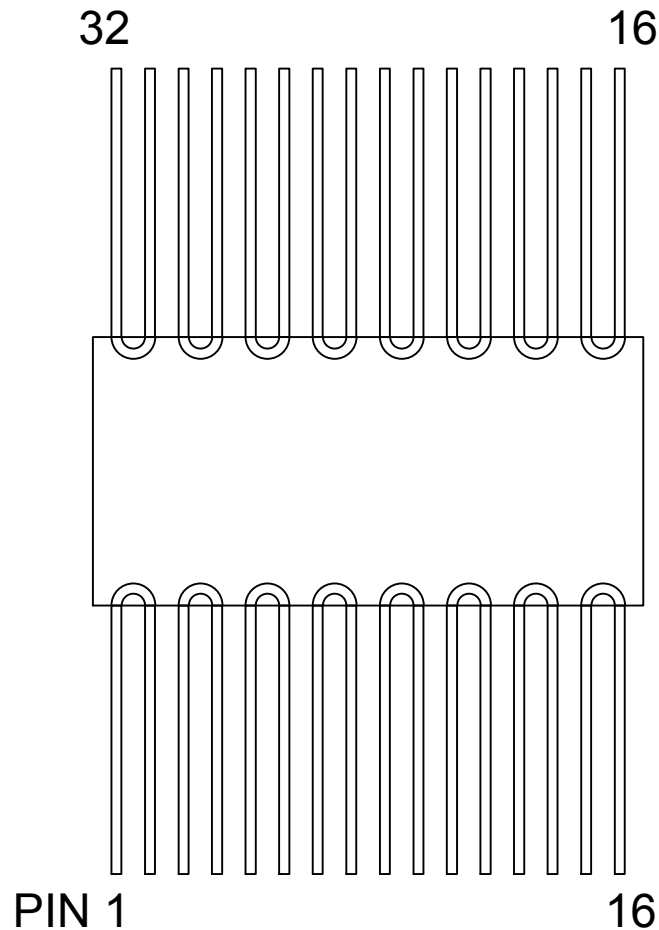
DAISY CHAIN NET LIST		
PINS	PINS	PINS
1 ~ 2	11 ~ 12	21 ~ 22
3 ~ 4	13 ~ 14	23 ~ 24
5 ~ 6	15 ~ 16	25 ~ 26
7 ~ 8	17 ~ 18	27 ~ 28
9 ~ 10	19 ~ 20	

NOTES:

1. DAISY CHAIN WIRE BONDED TO INTERNAL PADS.
2. SEE NET LIST FOR CONNECTIONS BETWEEN PINS.
3. DRAWING NOT TO SCALE.

TopLine®			
TITLE		FP28 DAISY CHAIN PIN CONNECTIONS	
SCALE	SIZE	DRAWING NO.	REV
	A	122801	A
DO NOT SCALE DRAWING			SHEET 8 OF 15

DAISY CHAIN TOP VIEW (INTERNAL CONNECTIONS)



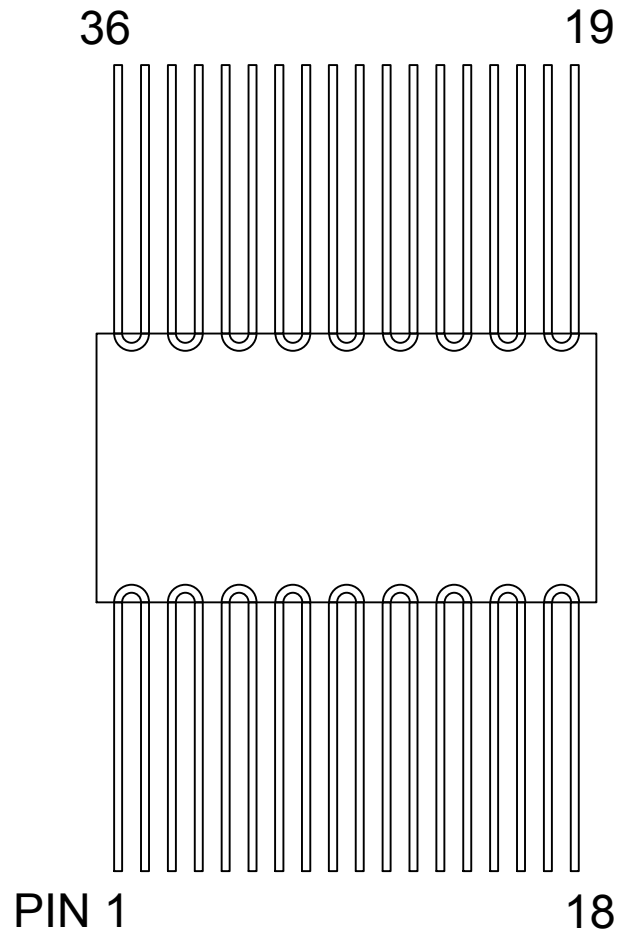
DAISY CHAIN NET LIST			
PINS	PINS	PINS	PINS
1 ~ 2	11 ~ 12	21 ~ 22	31 ~ 32
3 ~ 4	13 ~ 14	23 ~ 24	
5 ~ 6	15 ~ 16	25 ~ 26	
7 ~ 8	17 ~ 18	27 ~ 28	
9 ~ 10	19 ~ 20	29 ~ 30	

NOTES:

1. DAISY CHAIN WIRE BONDED TO INTERNAL PADS.
2. SEE NET LIST FOR CONNECTIONS BETWEEN PINS.
3. DRAWING NOT TO SCALE.

TopLine[®]			
TITLE		FP32 DAISY CHAIN PIN CONNECTIONS	
SCALE	SIZE A	DRAWING NO. 123201	REV A
DO NOT SCALE DRAWING			SHEET 9 OF 15

DAISY CHAIN TOP VIEW (INTERNAL CONNECTIONS)



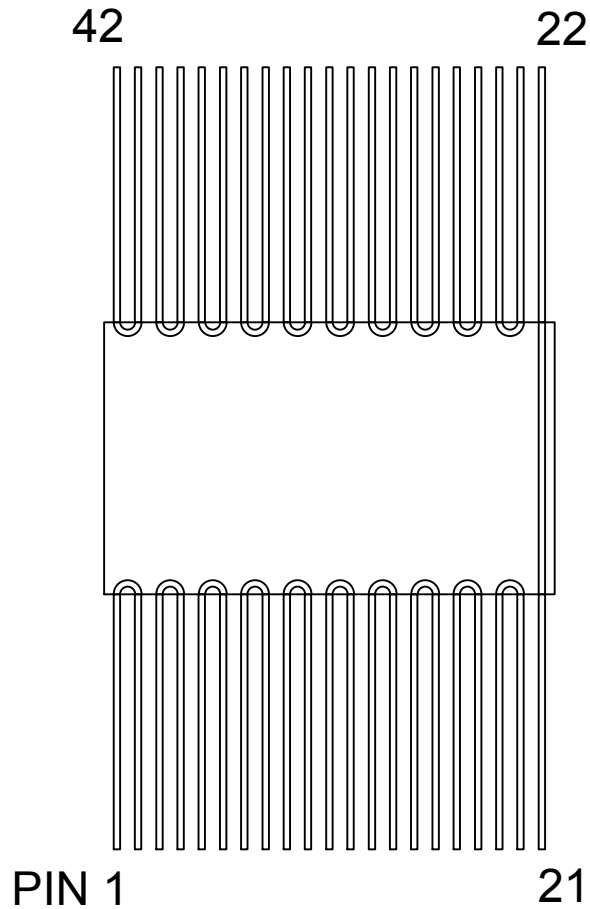
DAISY CHAIN NET LIST			
PINS	PINS	PINS	PINS
1 ~ 2	11 ~ 12	21 ~ 22	31 ~ 32
3 ~ 4	13 ~ 14	23 ~ 24	33 ~ 34
5 ~ 6	15 ~ 16	25 ~ 26	35 ~ 36
7 ~ 8	17 ~ 18	27 ~ 28	
9 ~ 10	19 ~ 20	29 ~ 30	

NOTES:

1. DAISY CHAIN WIRE BONDED TO INTERNAL PADS.
2. SEE NET LIST FOR CONNECTIONS BETWEEN PINS.
3. DRAWING NOT TO SCALE.

TopLine®			
TITLE		FP36 DAISY CHAIN PIN CONNECTIONS	
SCALE	SIZE	DRAWING NO.	REV
	A	123601	A
DO NOT SCALE DRAWING			SHEET 10 OF 15

DAISY CHAIN TOP VIEW (INTERNAL CONNECTIONS)



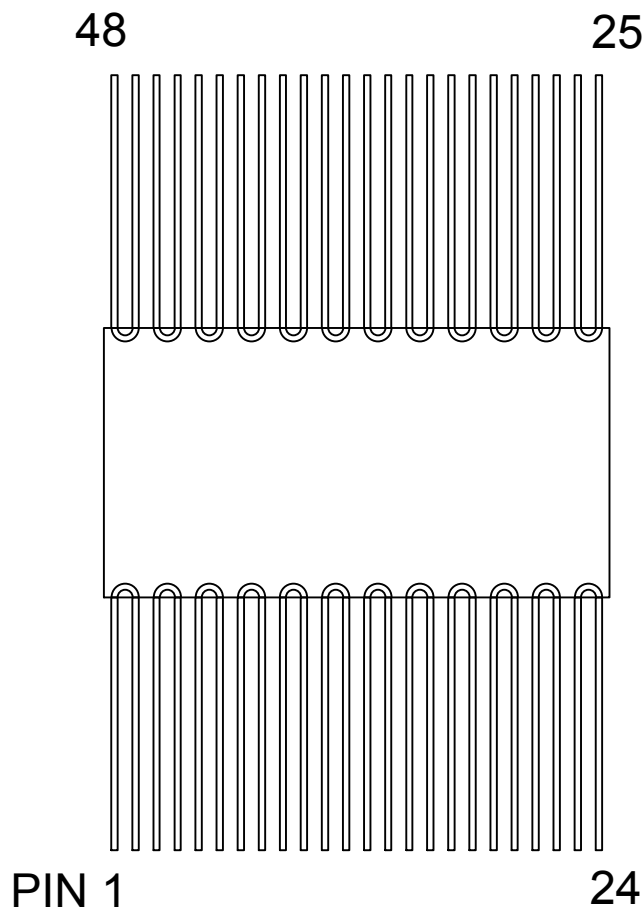
DAISY CHAIN NET LIST				
PINS	PINS	PINS	PINS	PINS
1 ~ 2	11 ~ 12	21 ~ 22	31 ~ 32	41 ~ 42
3 ~ 4	13 ~ 14	23 ~ 24	33 ~ 34	
5 ~ 6	15 ~ 16	25 ~ 26	35 ~ 36	
7 ~ 8	17 ~ 18	27 ~ 28	37 ~ 38	
9 ~ 10	19 ~ 20	29 ~ 30	39 ~ 40	

NOTES:

1. DAISY CHAIN WIRE BONDED TO INTERNAL PADS.
2. SEE NET LIST FOR CONNECTIONS BETWEEN PINS.
3. DRAWING NOT TO SCALE.

TopLine®			
TITLE		FP42 DAISY CHAIN PIN CONNECTIONS	
SCALE	SIZE	DRAWING NO.	REV
	A	124201	A
DO NOT SCALE DRAWING			SHEET 11 OF 15

DAISY CHAIN TOP VIEW (INTERNAL CONNECTIONS)



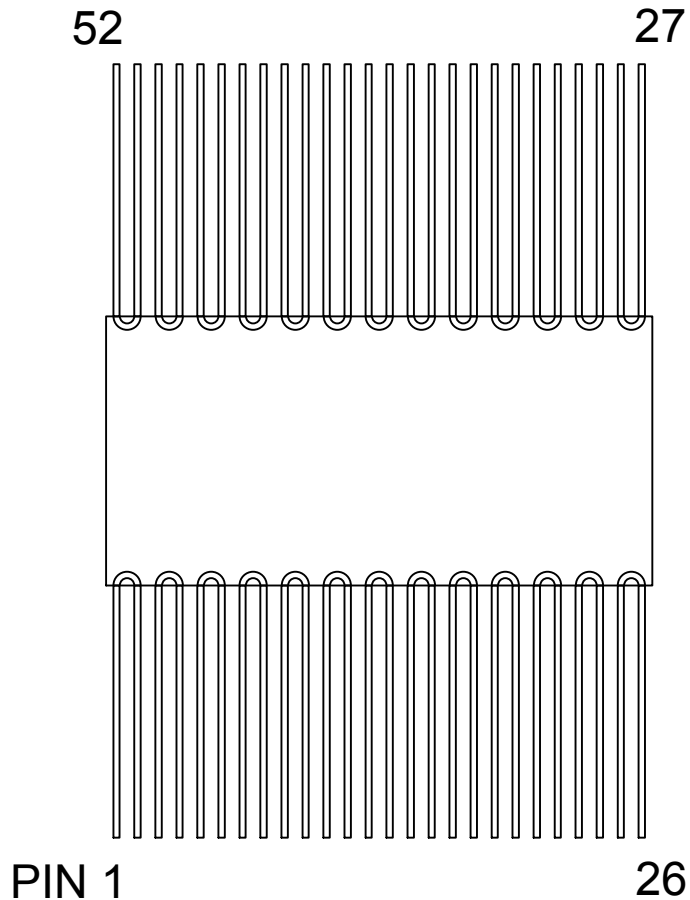
DAISY CHAIN NET LIST				
PINS	PINS	PINS	PINS	PINS
1 ~ 2	11 ~ 12	21 ~ 22	31 ~ 32	41 ~ 42
3 ~ 4	13 ~ 14	23 ~ 24	33 ~ 34	43 ~ 44
5 ~ 6	15 ~ 16	25 ~ 26	35 ~ 36	45 ~ 46
7 ~ 8	17 ~ 18	27 ~ 28	37 ~ 38	47 ~ 48
9 ~ 10	19 ~ 20	29 ~ 30	39 ~ 40	

NOTES:

1. DAISY CHAIN WIRE BONDED TO INTERNAL PADS.
2. SEE NET LIST FOR CONNECTIONS BETWEEN PINS.
3. DRAWING NOT TO SCALE.

TopLine®			
TITLE		FP48 DAISY CHAIN PIN CONNECTIONS	
SCALE	SIZE	DRAWING NO.	REV
	A	124801	A
DO NOT SCALE DRAWING			SHEET 12 OF 15

DAISY CHAIN TOP VIEW (INTERNAL CONNECTIONS)



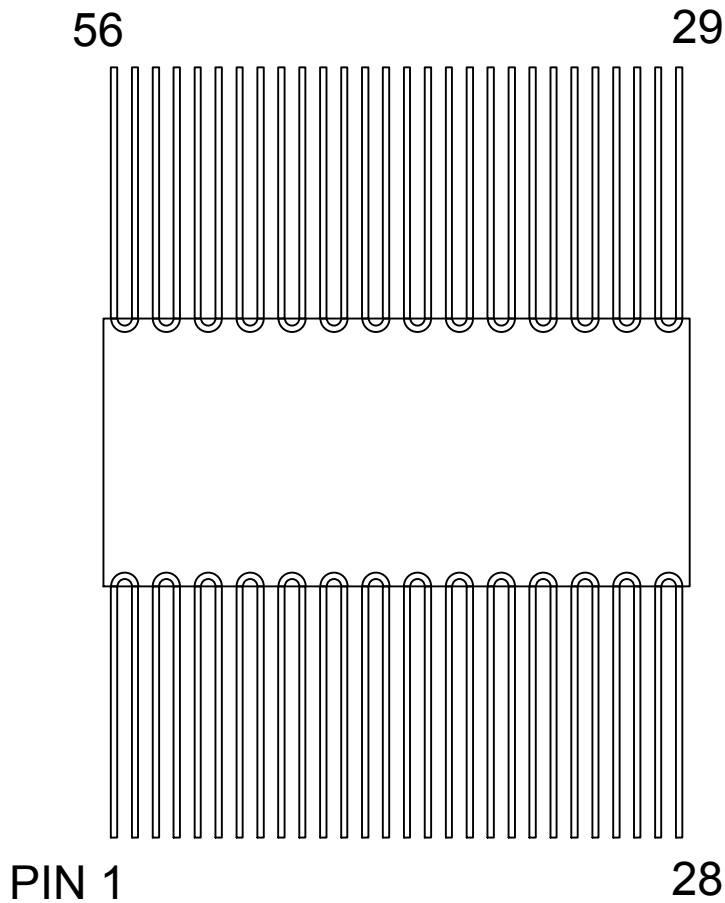
DAISY CHAIN NET LIST					
PINS	PINS	PINS	PINS	PINS	PINS
1 ~ 2	11 ~ 12	21 ~ 22	31 ~ 32	41 ~ 42	51 ~ 52
3 ~ 4	13 ~ 14	23 ~ 24	33 ~ 34	43 ~ 44	
5 ~ 6	15 ~ 16	25 ~ 26	35 ~ 36	45 ~ 46	
7 ~ 8	17 ~ 18	27 ~ 28	37 ~ 38	47 ~ 48	
9 ~ 10	19 ~ 20	29 ~ 30	39 ~ 40	49 ~ 50	

NOTES:

1. DAISY CHAIN WIRE BONDED TO INTERNAL PADS.
2. SEE NET LIST FOR CONNECTIONS BETWEEN PINS.
3. DRAWING NOT TO SCALE.

TopLine®			
TITLE		FP52 DAISY CHAIN PIN CONNECTIONS	
SCALE	SIZE	DRAWING NO.	REV
	A	125201	A
DO NOT SCALE DRAWING			SHEET 13 OF 15

DAISY CHAIN TOP VIEW (INTERNAL CONNECTIONS)



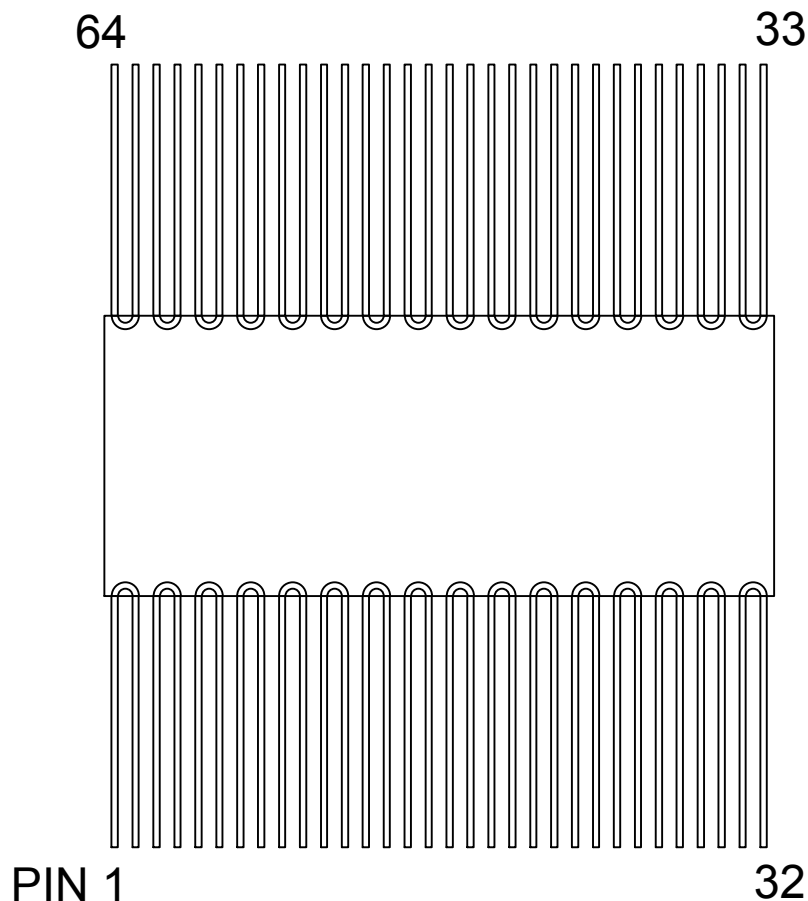
DAISY CHAIN NET LIST					
PINS	PINS	PINS	PINS	PINS	PINS
1 ~ 2	11 ~ 12	21 ~ 22	31 ~ 32	41 ~ 42	51 ~ 52
3 ~ 4	13 ~ 14	23 ~ 24	33 ~ 34	43 ~ 44	53 ~ 54
5 ~ 6	15 ~ 16	25 ~ 26	35 ~ 36	45 ~ 46	55 ~ 56
7 ~ 8	17 ~ 18	27 ~ 28	37 ~ 38	47 ~ 48	
9 ~ 10	19 ~ 20	29 ~ 30	39 ~ 40	49 ~ 50	

NOTES:

1. DAISY CHAIN WIRE BONDED TO INTERNAL PADS.
2. SEE NET LIST FOR CONNECTIONS BETWEEN PINS.
3. DRAWING NOT TO SCALE.

TopLine[®]			
TITLE		FP56 DAISY CHAIN PIN CONNECTIONS	
SCALE	SIZE	DRAWING NO.	REV
	A	125601	A
DO NOT SCALE DRAWING			SHEET 14 OF 15

DAISY CHAIN TOP VIEW (INTERNAL CONNECTIONS)



DAISY CHAIN NET LIST

PINS	PINS	PINS	PINS	PINS	PINS	PINS
1 ~ 2	11 ~ 12	21 ~ 22	31 ~ 32	41 ~ 42	51 ~ 52	61 ~ 62
3 ~ 4	13 ~ 14	23 ~ 24	33 ~ 34	43 ~ 44	53 ~ 54	63 ~ 64
5 ~ 6	15 ~ 16	25 ~ 26	35 ~ 36	45 ~ 46	55 ~ 56	
7 ~ 8	17 ~ 18	27 ~ 28	37 ~ 38	47 ~ 48	57 ~ 58	
9 ~ 10	19 ~ 20	29 ~ 30	39 ~ 40	49 ~ 50	59 ~ 60	

NOTES:

1. DAISY CHAIN WIRE BONDED TO INTERNAL PADS.
2. SEE NET LIST FOR CONNECTIONS BETWEEN PINS.
3. DRAWING NOT TO SCALE.

TopLine®

TITLE			
FP64 DAISY CHAIN PIN CONNECTIONS			
SCALE	SIZE	DRAWING NO.	REV
	A	126401	A
DO NOT SCALE DRAWING			SHEET 15 OF 15