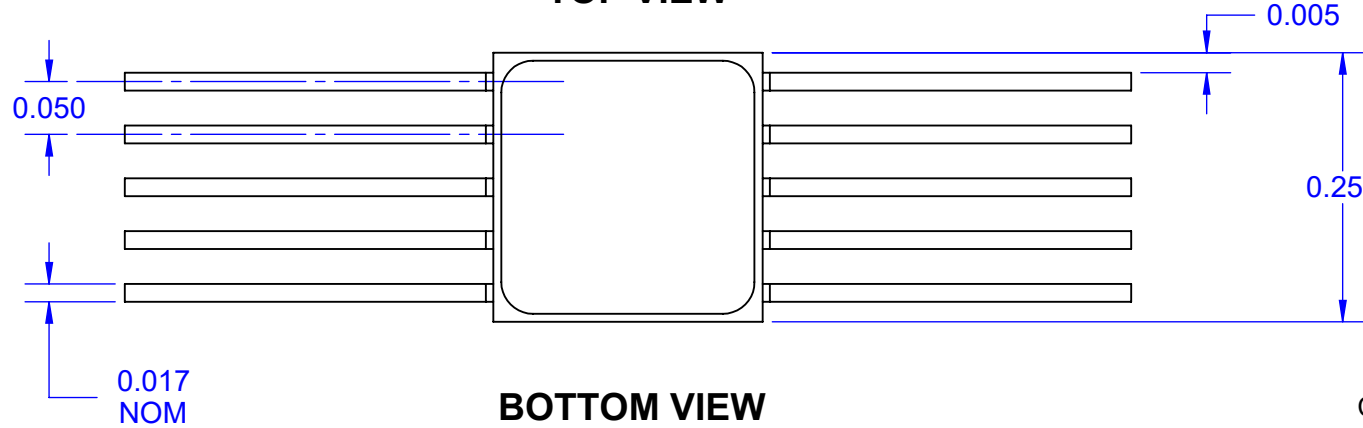
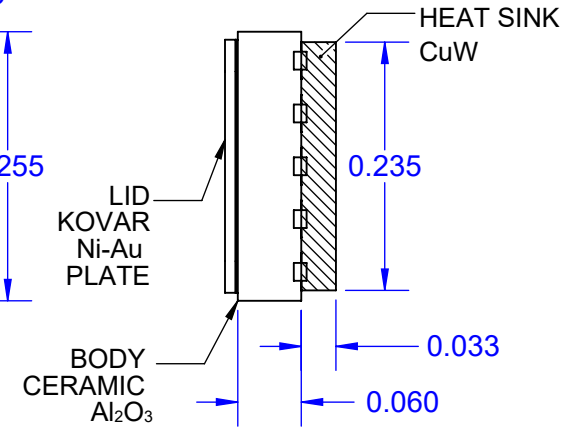


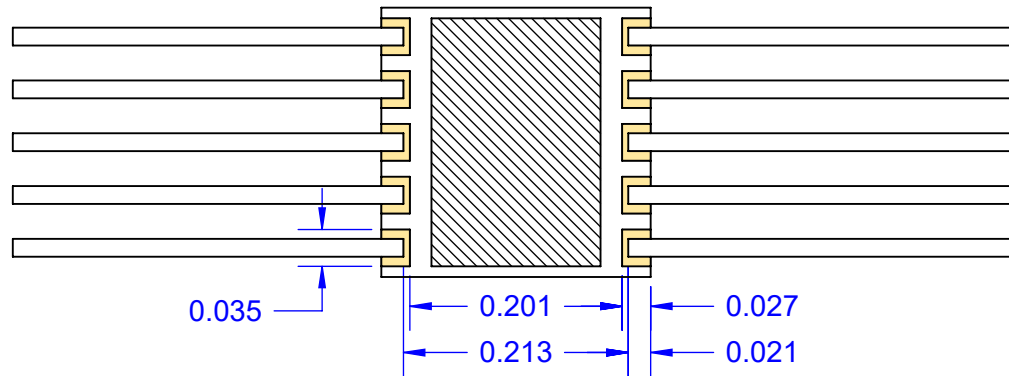
TOP VIEW



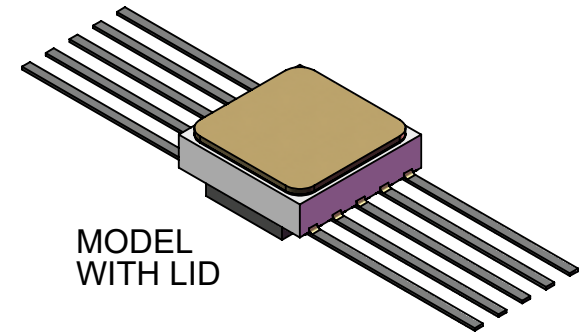
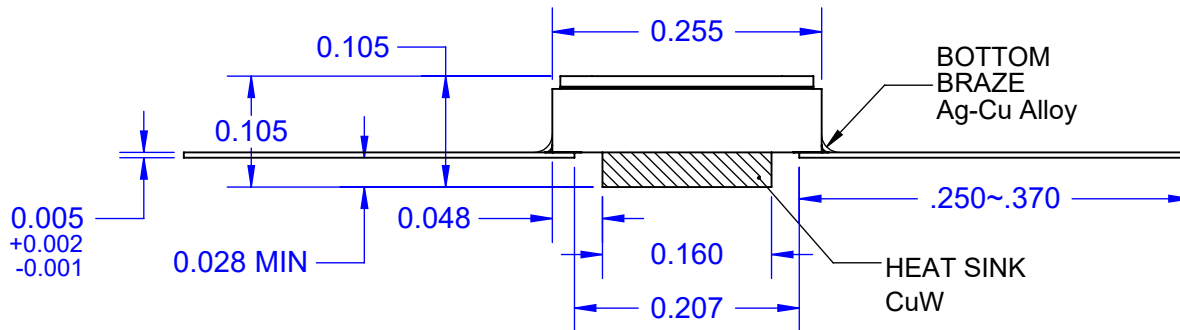
EDGE VIEW



BOTTOM VIEW



SIDE VIEW



PART NUMBER TABLE

PART NUMBER	PLATING
FP10F50SQ.25HS	*Ni / Au
FP10F50SQ.25B-HS-SC	Sn Pb

*Ni 80 micro-inch (min). Au 60 micro-inch (min).

Notes: (Unless Otherwise Specified).

- 1) DIMENSIONS: INCH (mm).
- 2) LEAD MATERIAL ALLOY 42 or KOVAR.
- 3) PACKAGING: WITHOUT TIEBAR.

APPROVALS	DATE				
DRAWN T.Au	4/13/2022				
ENG M. Hart	4/13/2022	TITLE FP10F50SQ.25B-HS FLAT PACK WITH HEAT SINK			
MFG					
QA		SCALE	SIZE	DRAWING NO.	REV
CUST		5.5:1	A	121050	A
REVISED		DO NOT SCALE DRAWING			SHEET 1 OF 1