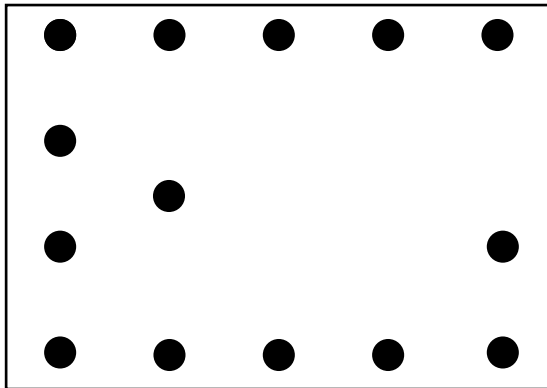
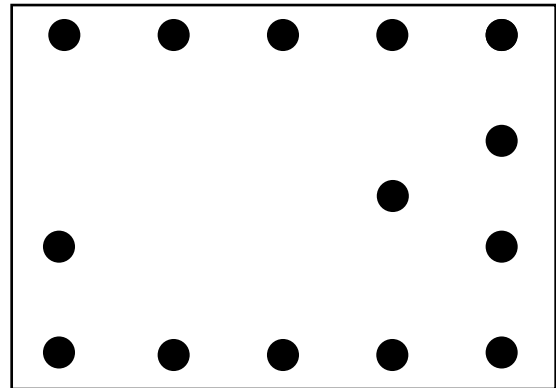


<u>BUMP</u>	<u>PITCH</u>	<u>BUMP DIA.</u>	<u>BODY SIZE</u>	<u>BUMP MAT'L</u>	<u>REF</u>
14	635µm	165µm	2.9 x 2.3mm	Ni/Au	CS

### BALL VIEW



### X-RAY VIEW



### PCB VIEW

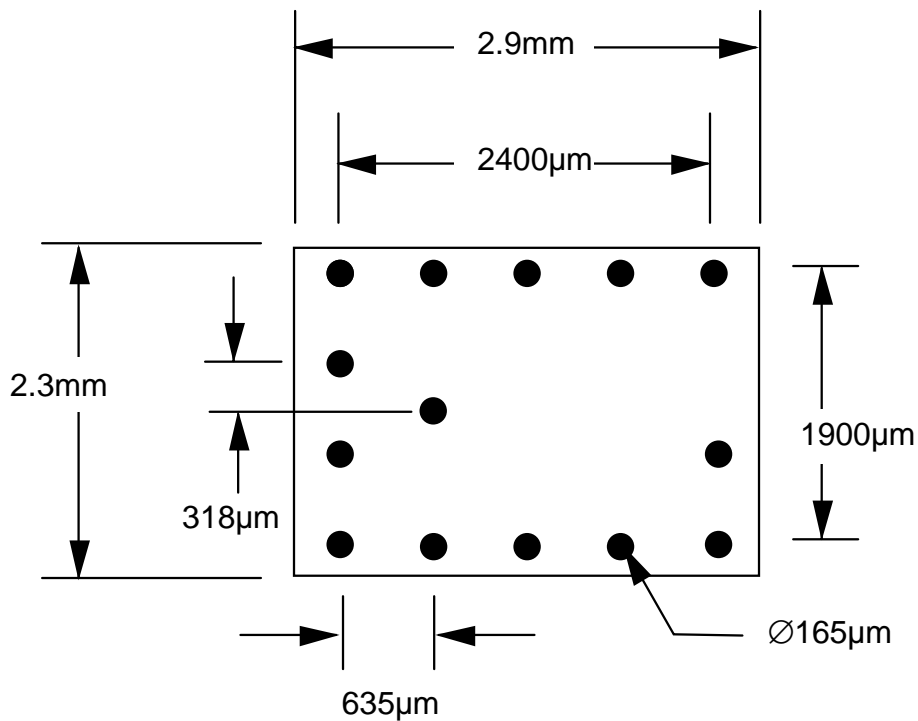
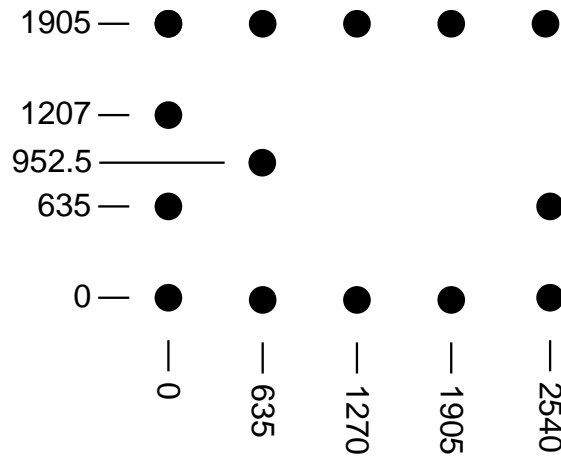
### AFTER MOUNTING TO TEST BOARD

# FC14C2.9x2.3N635



TEL 1-714-898-3830  
info@toplinedummy.com

<u>BUMP</u>	<u>PITCH</u>	<u>BUMP DIA.</u>	<u>BODY SIZE</u>	<u>BUMP MAT'L</u>	<u>REF</u>
14	635 $\mu$ m	165 $\mu$ m	2.9 x 2.3mm	Ni-Au	CS



## BUMP VIEW

Dimension in  $\mu$ m (1000 $\mu$ m = 1.0mm)