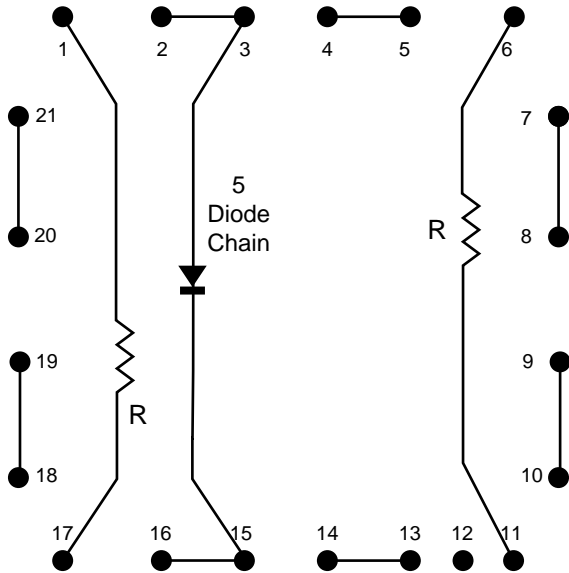
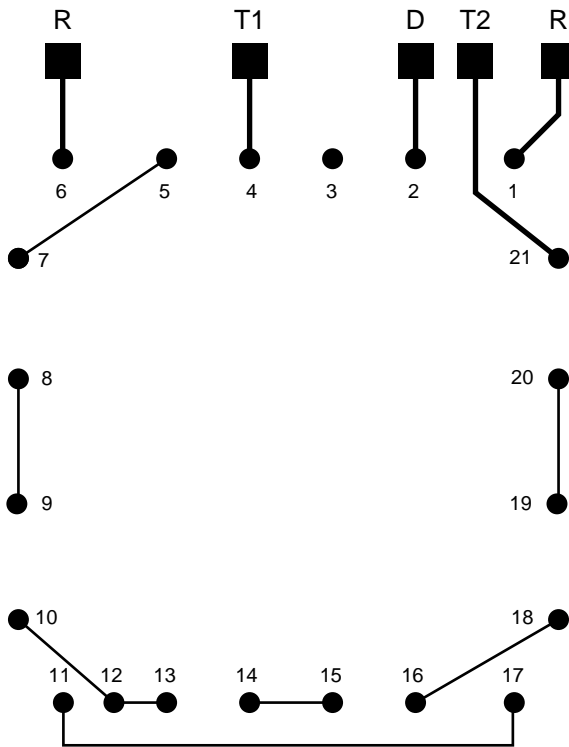
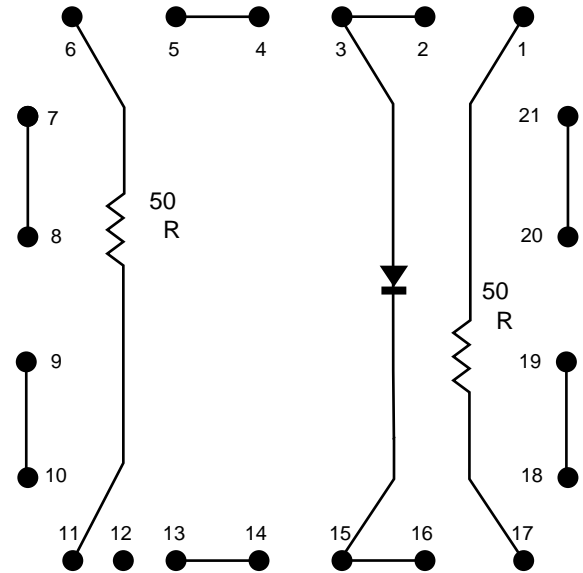


<u>BUMP</u>	<u>PITCH</u>	<u>BUMP DIA.</u>	<u>BODY SIZE</u>	<u>BUMP MAT'L</u>	<u>REF</u>
21	460~690µm	160µm	3.8mm SQ	Sn63	PST2

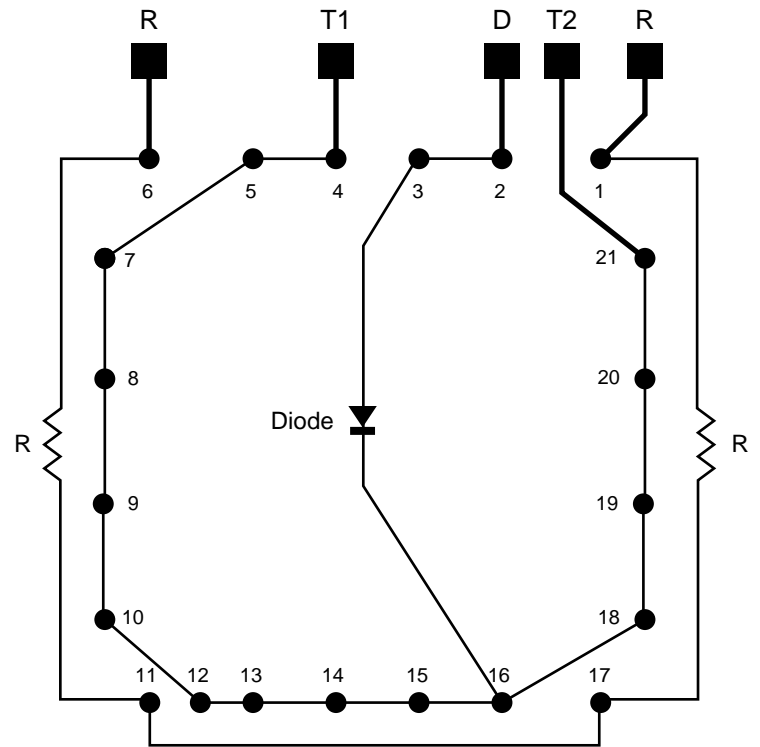
**BALL VIEW**



**X-RAY VIEW**



**PCB VIEW**



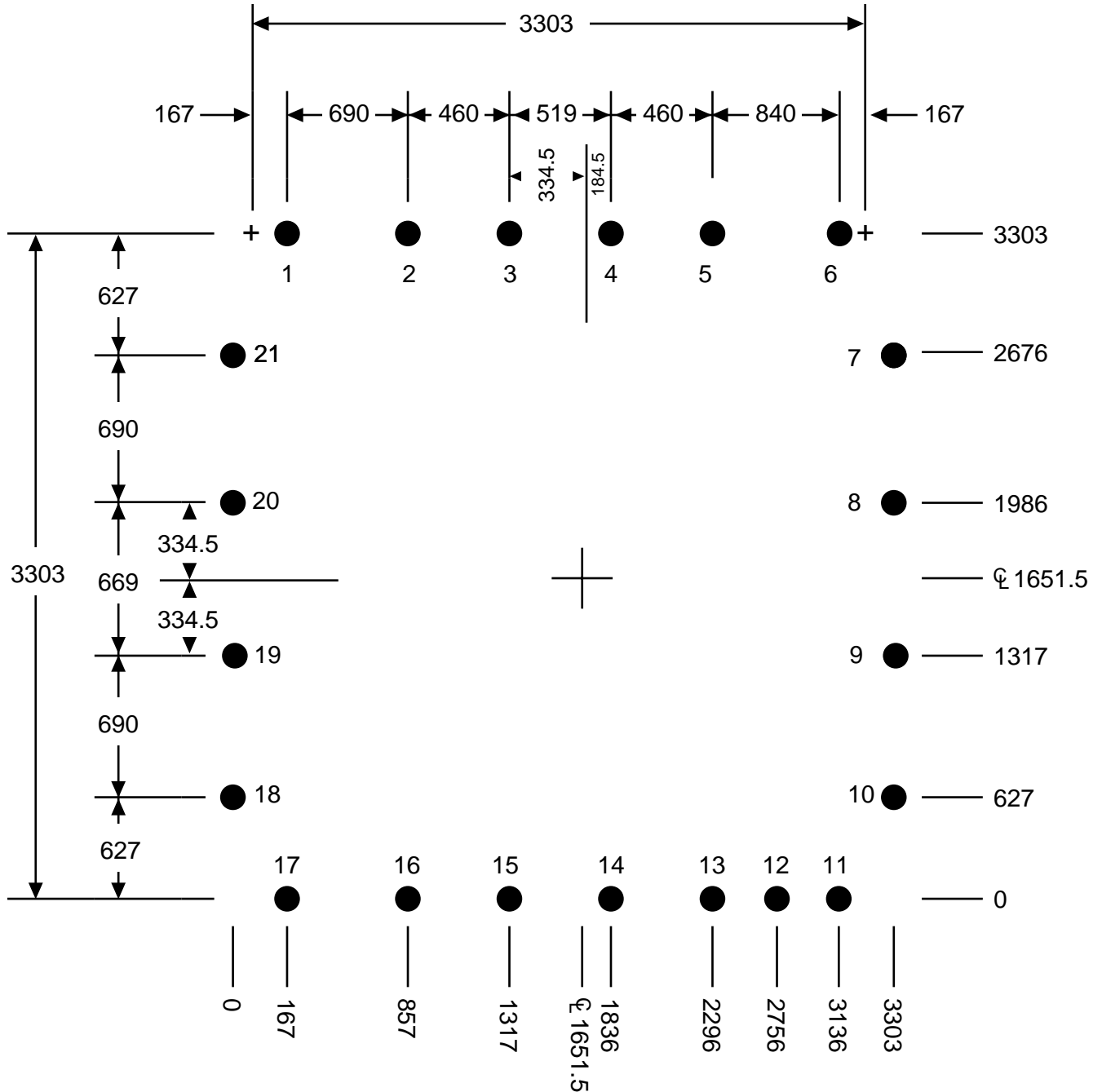
**AFTER MOUNTING TO TEST BOARD**

# FC21C3.8E460/690



<u>BUMP</u>	<u>PITCH</u>	<u>BUMP DIA.</u>	<u>BODY SIZE</u>	<u>BUMP MAT'L</u>	<u>REF</u>
21	460~690 $\mu$ m	160 $\mu$ m	3.8mm SQ	Sn63	PST2

TEL 1-714-898-3830  
info@toplinedummy.com



## BUMP VIEW

Dimension in  $\mu$ m (1000 $\mu$ m = 1.0mm)