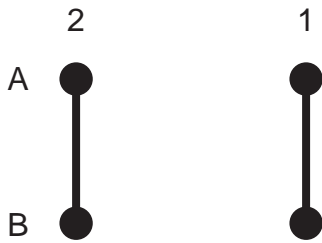
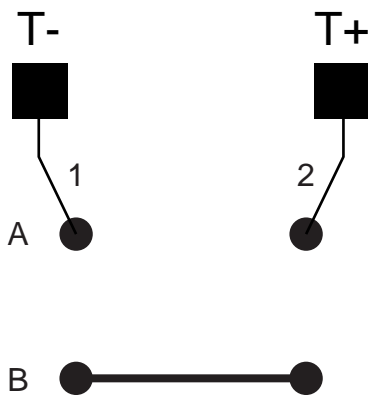
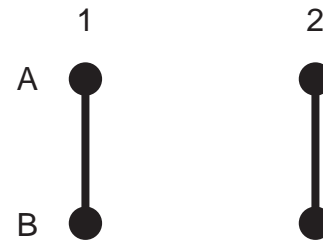


<u>BUMPS</u>	<u>PITCH</u>	<u>SIZE</u>	<u>MATRIX</u>	<u>ROWS</u>	<u>CENTER</u>	<u>MAT'L</u>
4	0.65mm	1.0 x 0.5mm	2 x 2	full	na	Wafer Level Si

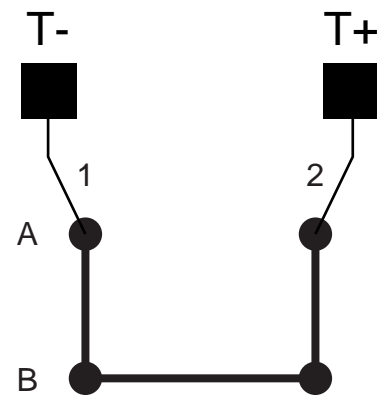
## BALL VIEW



## BOTTOM SIDE (TOP X-RAY VIEW)



Optional: Square Pads  
**TEST VEHICLE BOARD**



**AFTER MOUNTING TO TEST BOARD**

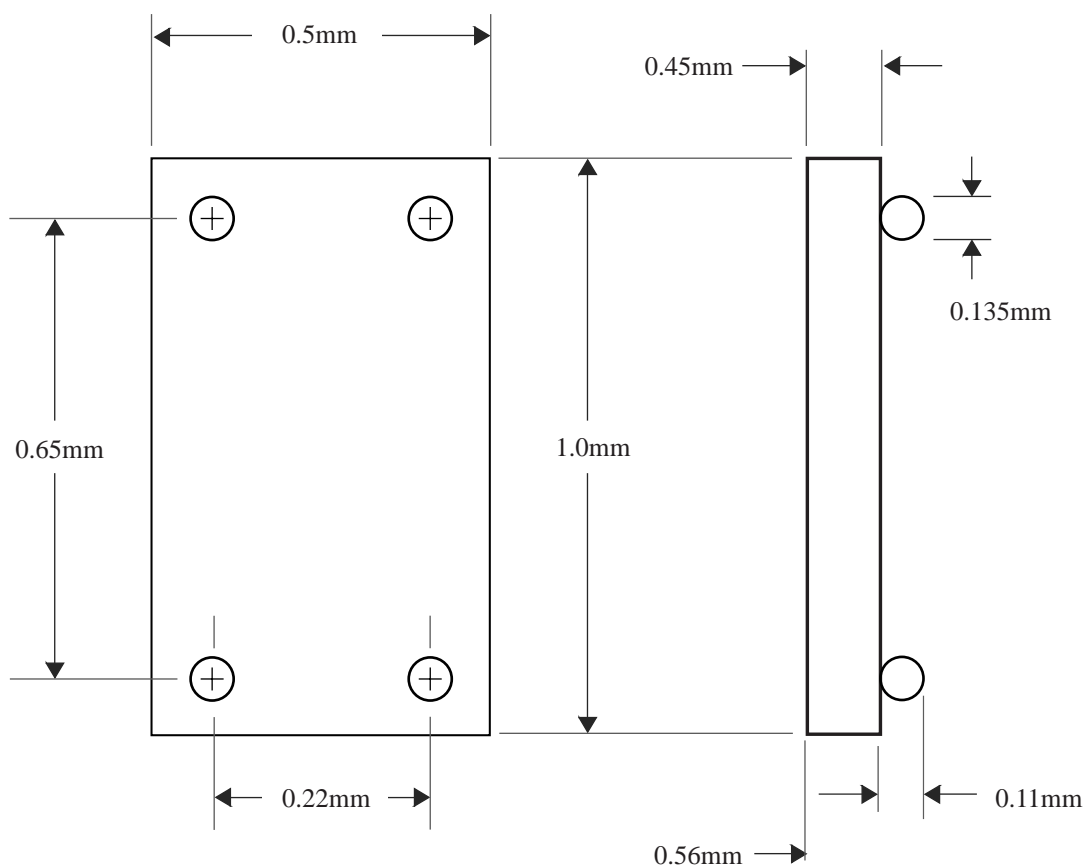
# FC4G1x.5E650E7A-DC



<u>BUMPS</u>	<u>PITCH</u>	<u>SIZE</u>	<u>MATRIX</u>	<u>ROWS</u>	<u>CENTER</u>	<u>MAT'L</u>	TEL 1-714-898-3830
4	0.65mm	1.0 x 0.5mm	2 x 2	full	na	Wafer Level Si	info@topline.tv

**BOTTOM VIEW**

**SIDE VIEW**



NOTES		REVISIONS	
Note 1	Top marked with "P"	Rev	Date
Note 2	Ball Material: 63/37 SnPb	Changes _____	
Note 3	Substrate Material: Si		
Alternate Part Nbr. CSP4E7A.65-DC022		PACKAGING TRAYS	
		Packaging: Tape and Reel w=8mm , Pitch=4mm Reel Quantity: 3000, 1000, 500	