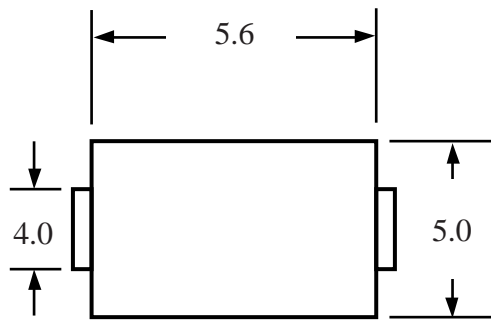
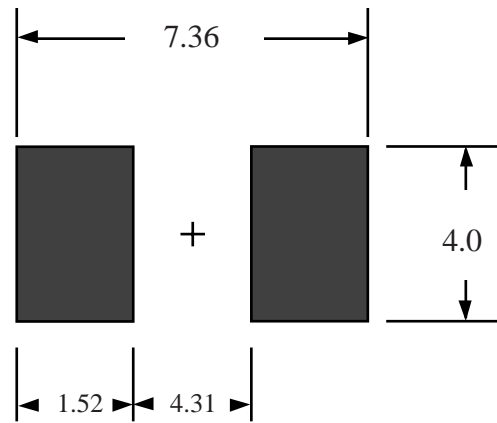


Part # **SI2220**  
**Molded Chip Inductor**  
 Body Size **2220**  
 Dwg SI2220.pdf

**TopLine**™  
 Tel 1-714-898-3830  
 info@topline.to

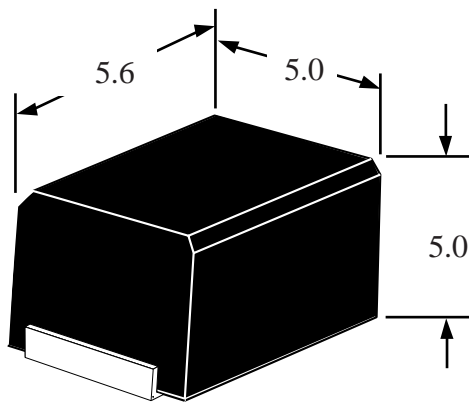


Top View

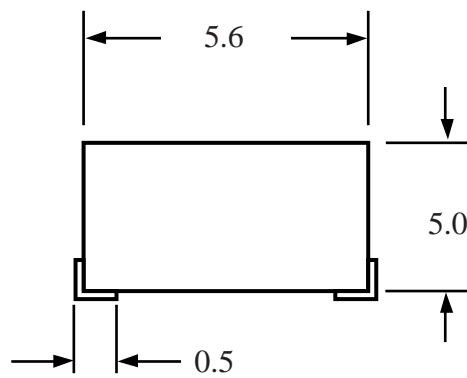


PC Board

Dimensions = mm



Quick View



Side View Detail