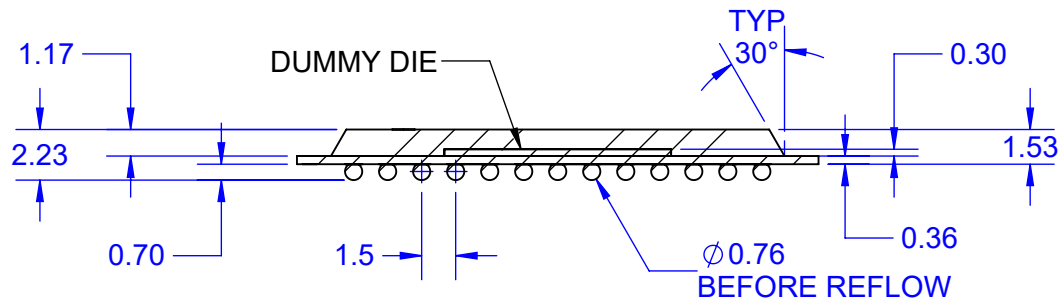
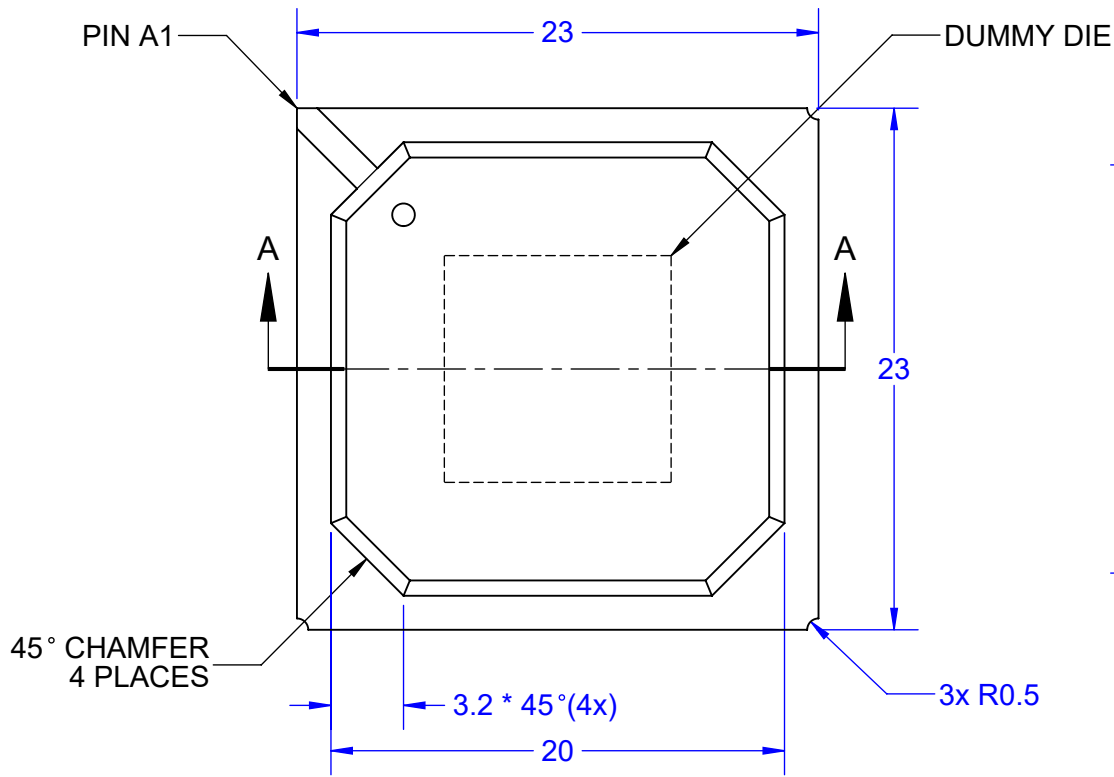
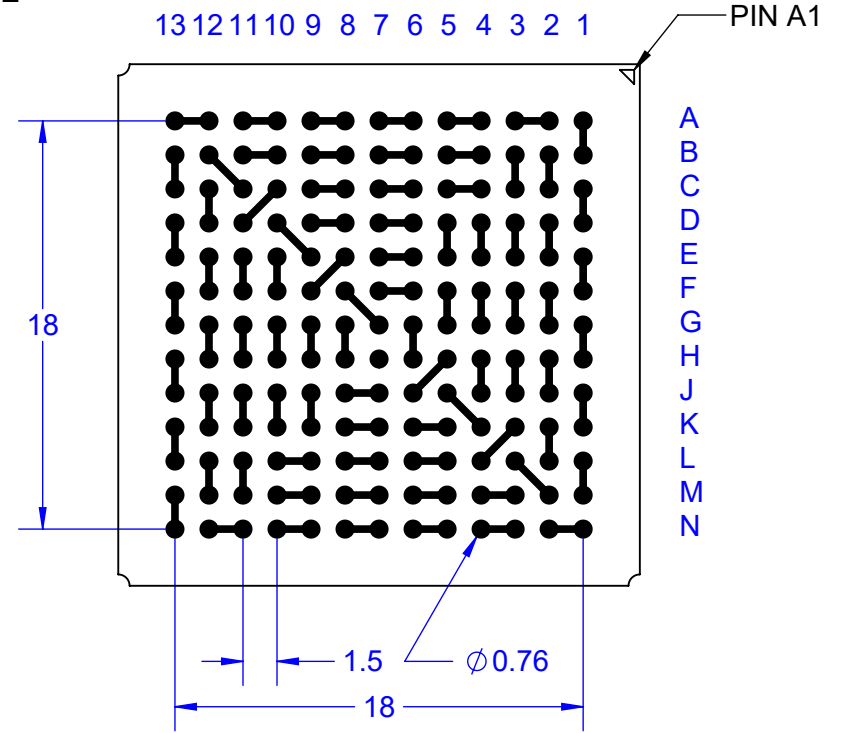


TOP VIEW



SECTION A-A


BALL VIEW



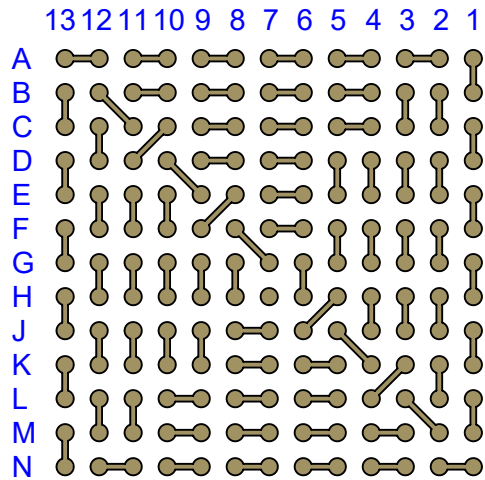
Notes: (Unless Otherwise Specified).

- 1) ALL DIMENSIONS ARE IN MM.
- 2) SOLDER BALL ALLOY: SEE PART NUMBER TABLE.
- 3) BALL DIAMETER (BEFORE REFLOW): 0.76mm (30 MIL).
- 4) SOLDER MASK DEFINED PAD OPENING: 0.63mm (25 MIL).
- 5) PAD Cu DIAMETER: 0.76mm (30 MIL).
- 6) SUBSTRATE MATERIAL: BT.
- 7) DUMMY DIE IS OPTIONAL.
- 8) DAISY CHAIN PATTERN (SEE PAGE 2).
- 9) MSL-3 RECOMMENDED BAKING 24 HOURS @ 125°C TO REMOVE MOISTURE PRIOR SOLDERING TO PC BOARD.

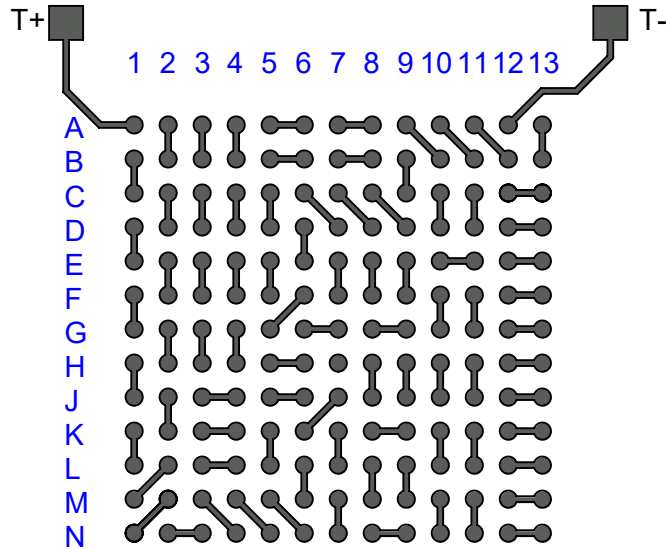
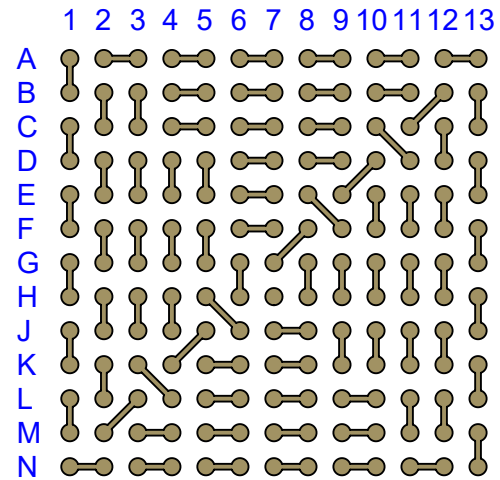
PART NUMBER TABLE				
PART NUMBER	BALL ALLOY	Pb-Free	RoHS	Si DIE
BGA169T1.5C-DC10D	Sn96.5/Ag3.0/Cu0.5	YES	YES	YES
BGA169T1.5-DC10D	Sn63/Pb37	NO	NO	YES
LGA169T1.5-DC10D	Ni Au PAD	YES	YES	YES

APPROVALS	DATE				
DRAWN T.Au	10/14/15				
ENG M. Hart	10/14/15	TITLE BGA169T1.5-DC10D DAISY CHAIN DUMMY			
MFG		SCALE 3:1	SIZE A	DRAWING NO. 521394	REV A
QA		DO NOT SCALE DRAWING			SHEET 1 OF 3
CUST					
REVISED					

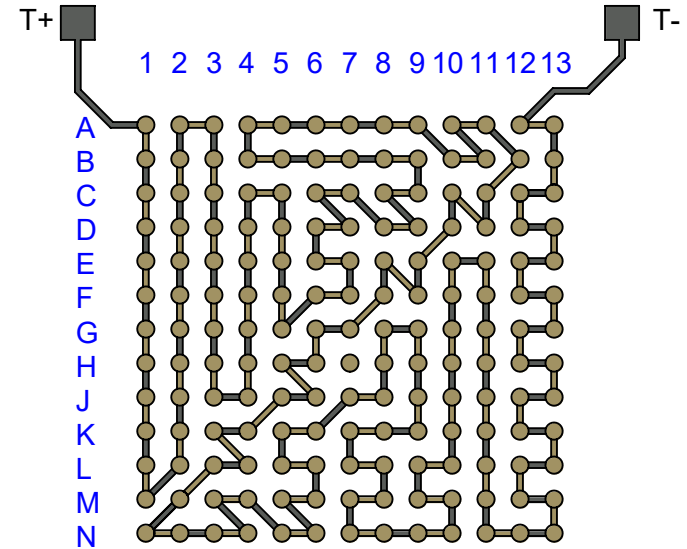
BALL VIEW



BOTTOM SIDE (TOP X-RAY VIEW)



TEST VEHICLE BOARD



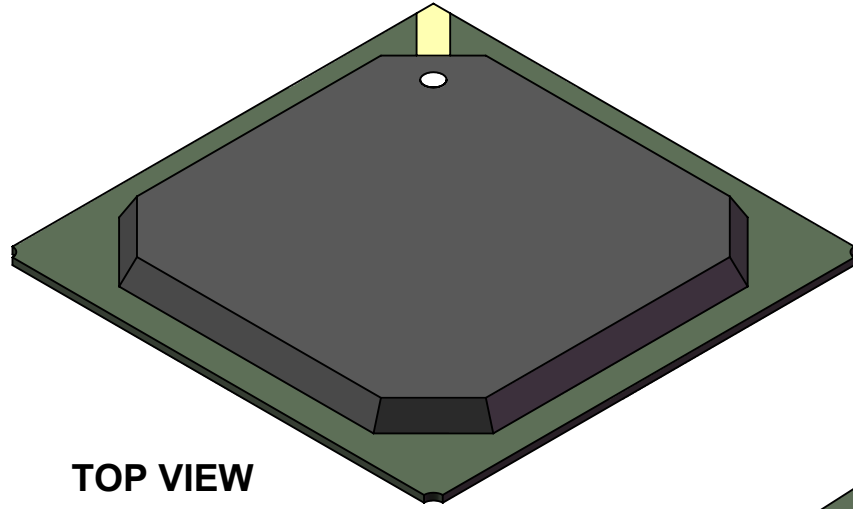
AFTER MOUNTING

Notes:

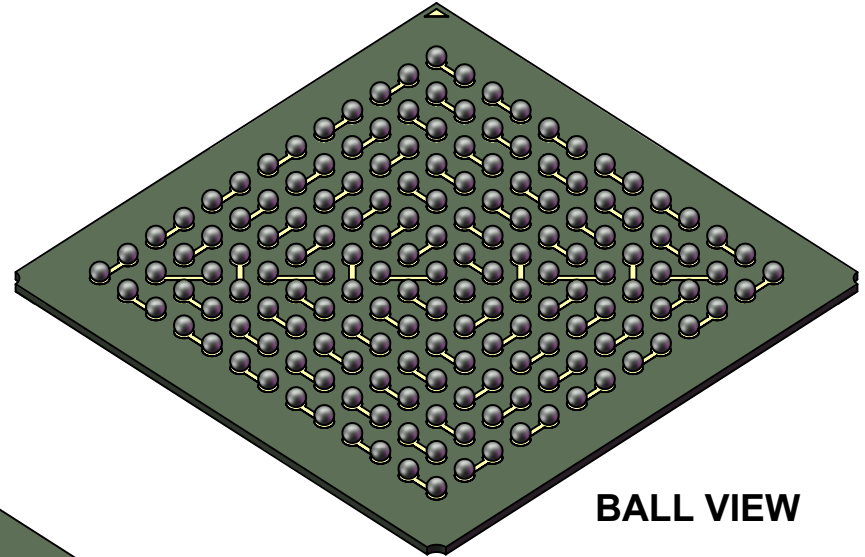
- 1) PCB BOARD DIMENSIONS ARE PRESENTED ONLY AS A GUIDELINE. DESIGNERS SHOULD USE THEIR OWN EXPERIENCE WHEN DESIGNING PCB.
- 2) PCB Cu BALL PAD DIAMETER: 0.76mm (30 MIL).
- 3) PCB DAISY CHAIN TRACING LINE WIDTH: 0.254mm (10 MIL).
- 4) SMD (SOLDER MASK DEFINED) PAD OPENING: 0.635mm (25 MIL).

TopLine®			
TITLE		BGA169T1.5-DC10D DAISY CHAIN DUMMY	
SCALE	SIZE	DRAWING NO.	REV
3:1	A	521394	A
DO NOT SCALE DRAWING			SHEET 2 OF 3

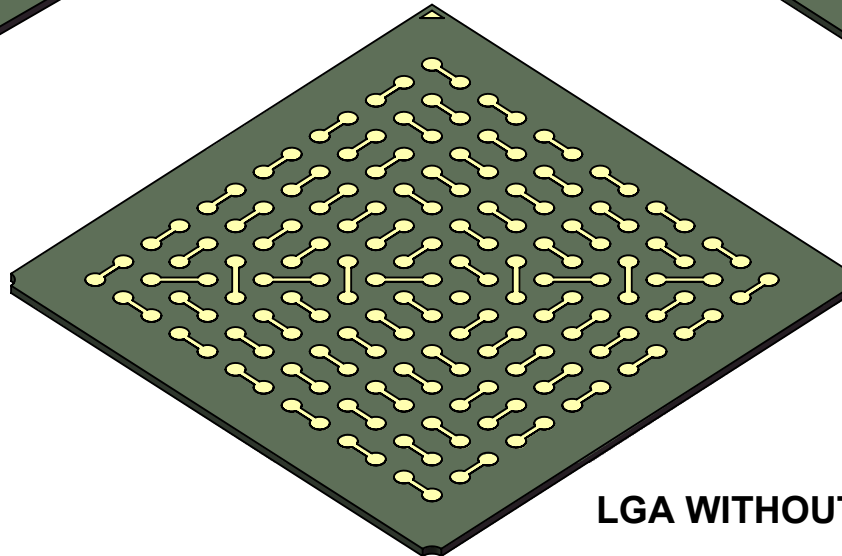
MODEL



TOP VIEW



BALL VIEW



LGA WITHOUT BALL

TopLine[®]

TITLE BGA169T1.5-DC10D
DAISY CHAIN DUMMY

SCALE 3.5:1	SIZE A	DRAWING NO. 521394	REV A
----------------	-----------	-----------------------	----------

DO NOT SCALE DRAWING

SHEET 3 OF 3