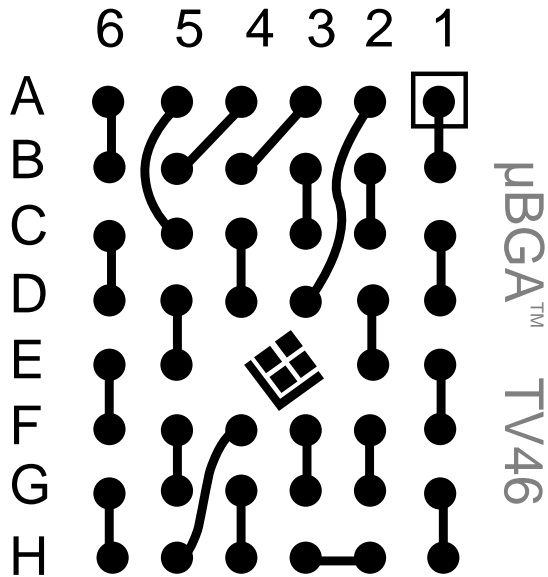
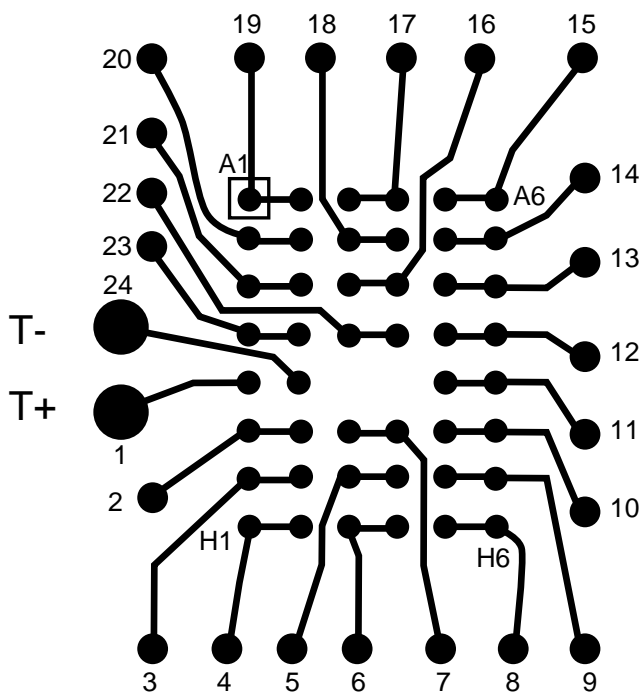
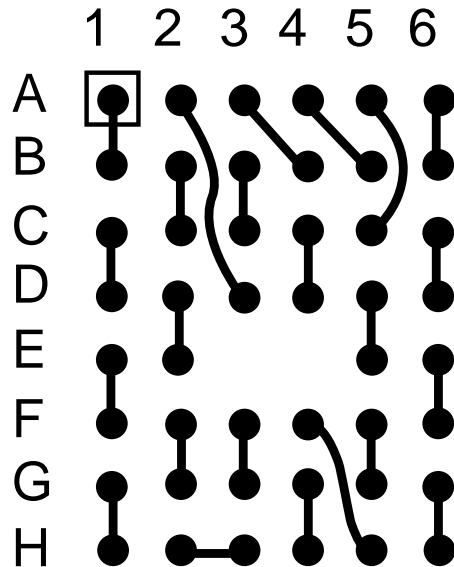


BALLS	PITCH	SIZE	MATRIX	ROWS	CENTER	MAT'L
46	0.75mm	5.76 x 7.87mm	6 x 8	full	full	Polyimide

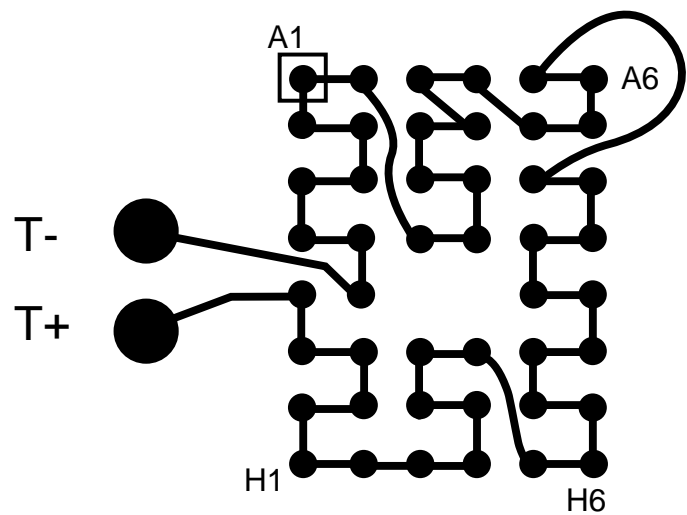
**BALL VIEW**



**BOTTOM SIDE (TOP X-RAY VIEW)**



**TEST VEHICLE BOARD**



**AFTER MOUNTING TO TEST BOARD**

# CSP46T.75C-DC24 Lead Free

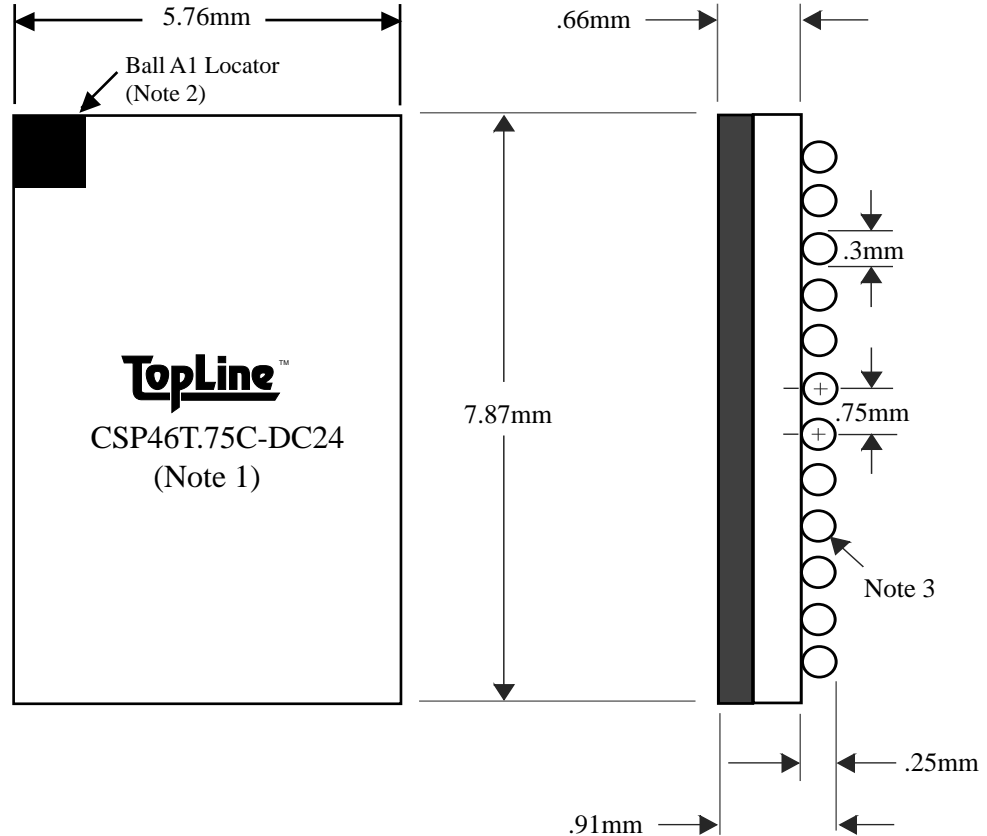


TEL 1-714-898-3830  
info@toplinedummy.com

<u>BALLS</u>	<u>PITCH</u>	<u>SIZE</u>	<u>MATRIX</u>	<u>ROWS</u>	<u>CENTER</u>	<u>MAT'L</u>
46	0.75mm	5.76 x 7.87mm	6 x 8	full	full	Polyimide

**TOP VIEW**

**SIDE VIEW**



NOTES		REVISIONS		
Note 1	Logo and part number centered	<u>Rev</u>	<u>Date</u>	<u>Changes</u>
Note 2	Ball A1 locator mark positioned in corner			
Note 3	Ball Material: Sn96.3Ag3.2Cu0.5 (Pb Free)			
Note 4	Substrate Material: Polyimide Tape			
		PACKAGING TRAYS		
		Tray H44-TV46-01B		
		Tray Quantity 99		
		Tray Suppliers (ref):		
		FLOUROWARE		
		H44-TV46-01B BOTTOM		
		H44-TV46-03 COVER		