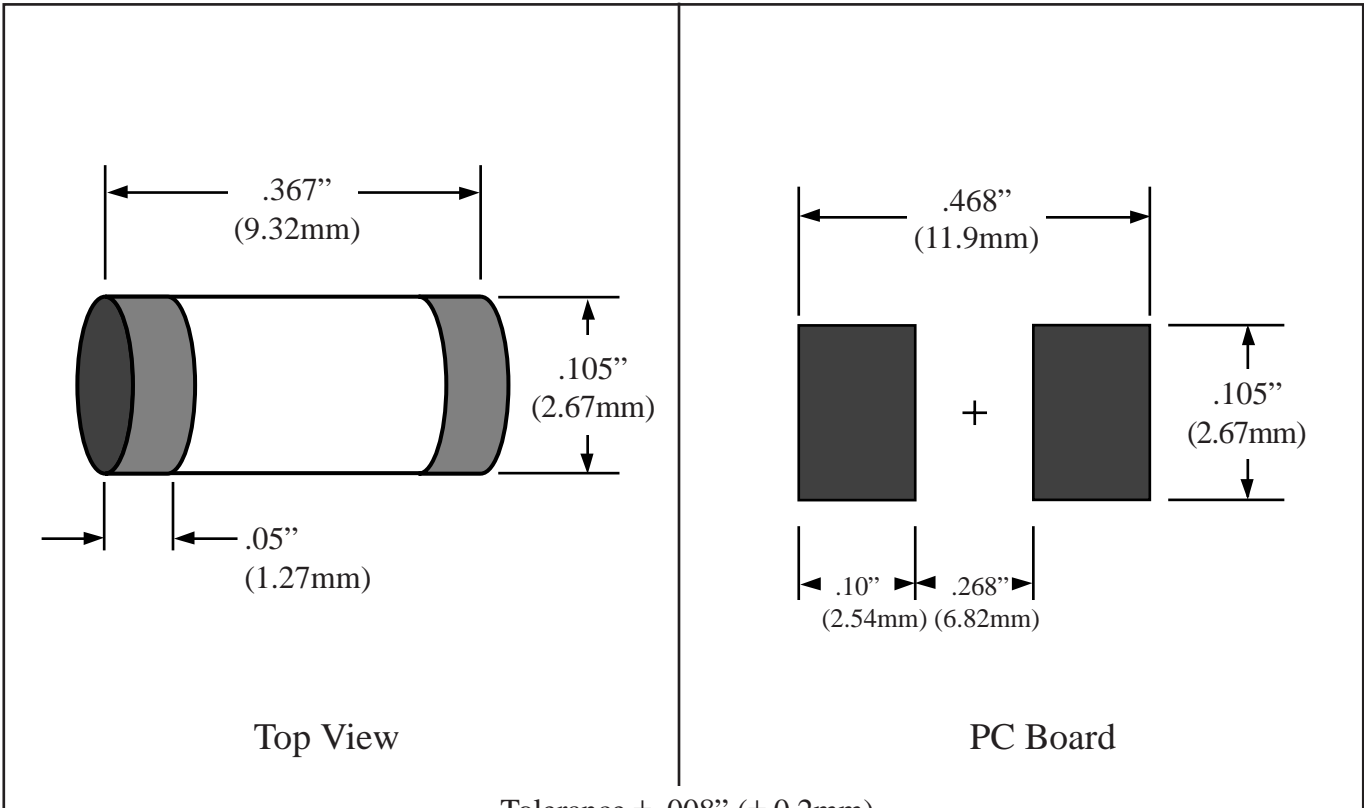


Part # **SRM3610**
Maxi MELF Resistor
 Body Size **3610**

Dwg SRM3610.pdf



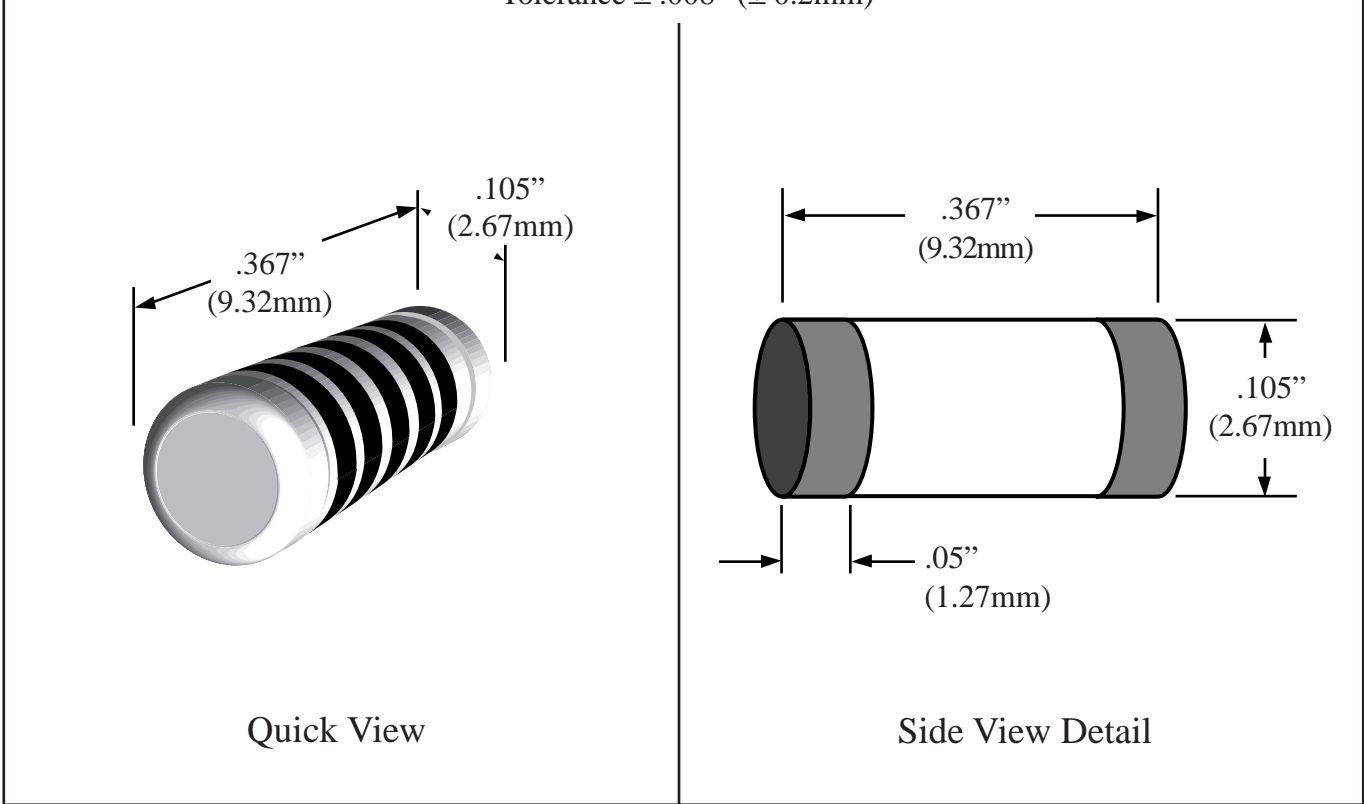
Tel 1-714-898-3830
 info@topline.to



Top View

PC Board

Tolerance $\pm .008''$ ($\pm 0.2\text{mm}$)



Quick View

Side View Detail