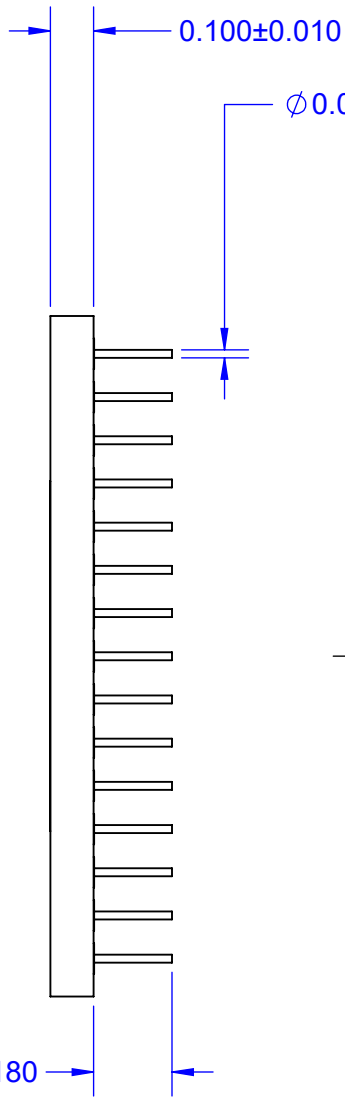
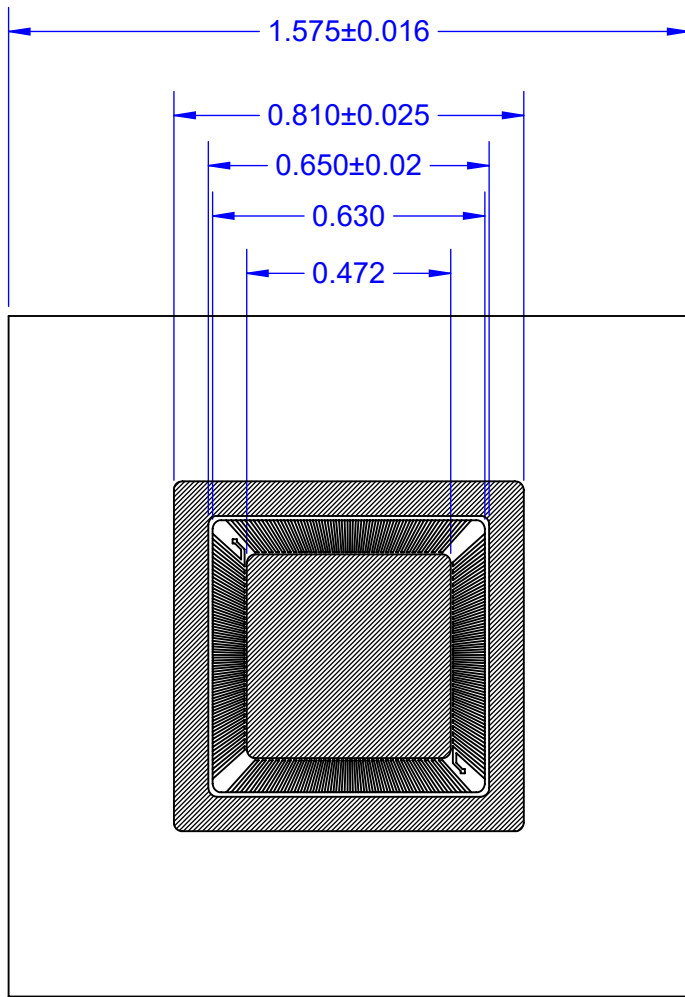
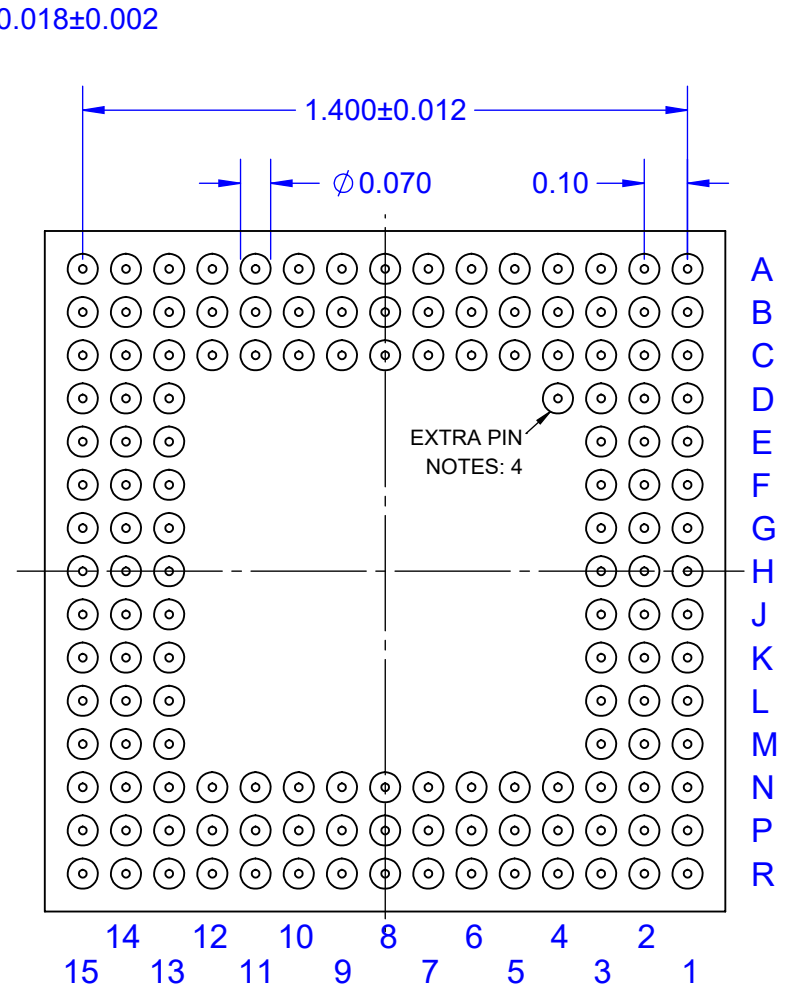


TOP VIEW



BOTTOM VIEW

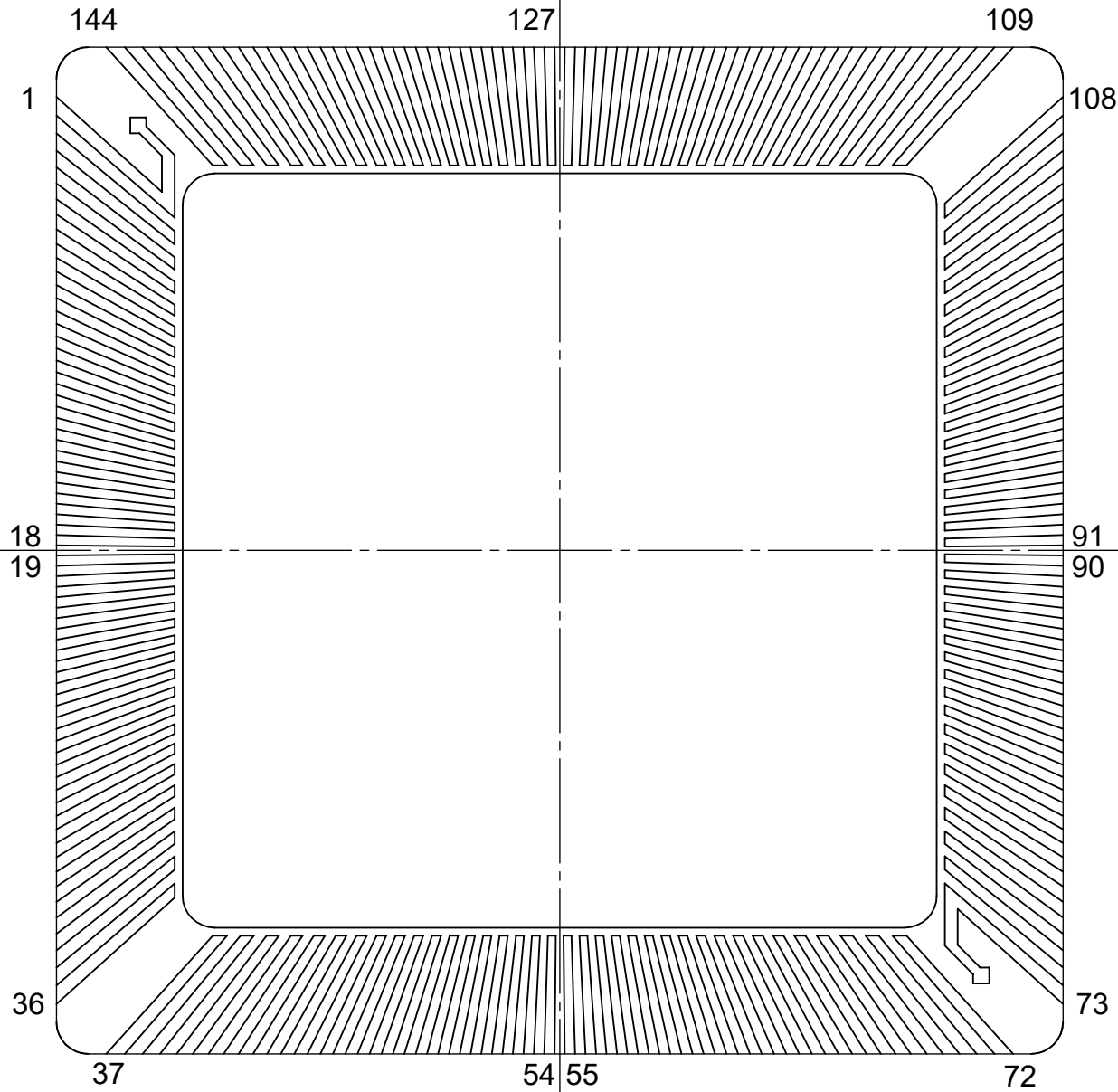


Notes: (Unless Otherwise Specified).

- 1) DIMENSIONS IN inches.
- 2) ALL EXPOSED METAL AND METALLIZED AREA SHALL BE GOLD PLATED 60 MICRO INCH MIN. THK. OVER NICKEL PLATED.
- 3) SEAL AREA AND DIE ATTACH AREA SHALL BE ISOLATED.
- 4) D4 IS ELECTICALLY CONNECTED TO C4.

APPROVALS	DATE	TopLine®			
DRAWN T. Au	6/14/2020				
ENG M. Hart	6/14/2020	TITLE CPGA145T-15X15-N472 CERAMIC PIN GRID ARRAY			
MFG		SCALE	SIZE	DRAWING NO.	REV
QA		2.5:1	A	151450	A
CUST		DO NOT SCALE DRAWING			SHEET 1 OF 4
REVISED					

BOND PAD



TopLine®

TITLE CPGA145T-15X15-N472
CERAMIC PIN GRID ARRAY

SCALE	SIZE	DRAWING NO.	REV
8:1	A	151450	A

DO NOT SCALE DRAWING

SHEET 2 OF 4

BOND PAD NET LIST

BOND	PIN NO.
1	D3
2	C2
3	B1
4	D2
5	E3
6	C1
7	E2
8	D1
9	F3
10	F2
11	E1
12	G2
13	G3
14	F1
15	G1
16	H2
17	H1
18	H3
19	J3
20	J1
21	K1
22	J2
23	K2
24	K3
25	L1

BOND	PIN NO.
26	L2
27	M1
28	N1
29	M2
30	L3
31	N2
32	P1
33	M3
34	N3
35	P
36	R1
37	N4
38	P3
39	R2
40	P4
41	N5
42	R3
43	P5
44	R4
45	N6
46	P6
47	R5
48	P7
49	N7
50	R6

BOND	PIN NO.
51	R7
52	P8
53	R8
54	N8
55	N9
56	R9
57	R10
58	P9
59	P10
60	N10
61	R11
62	P11
63	R12
64	R13
65	P12
66	N11
67	P13
68	R14
69	N12
70	N13
71	P14
72	R15
73	M13
74	N14
75	P15

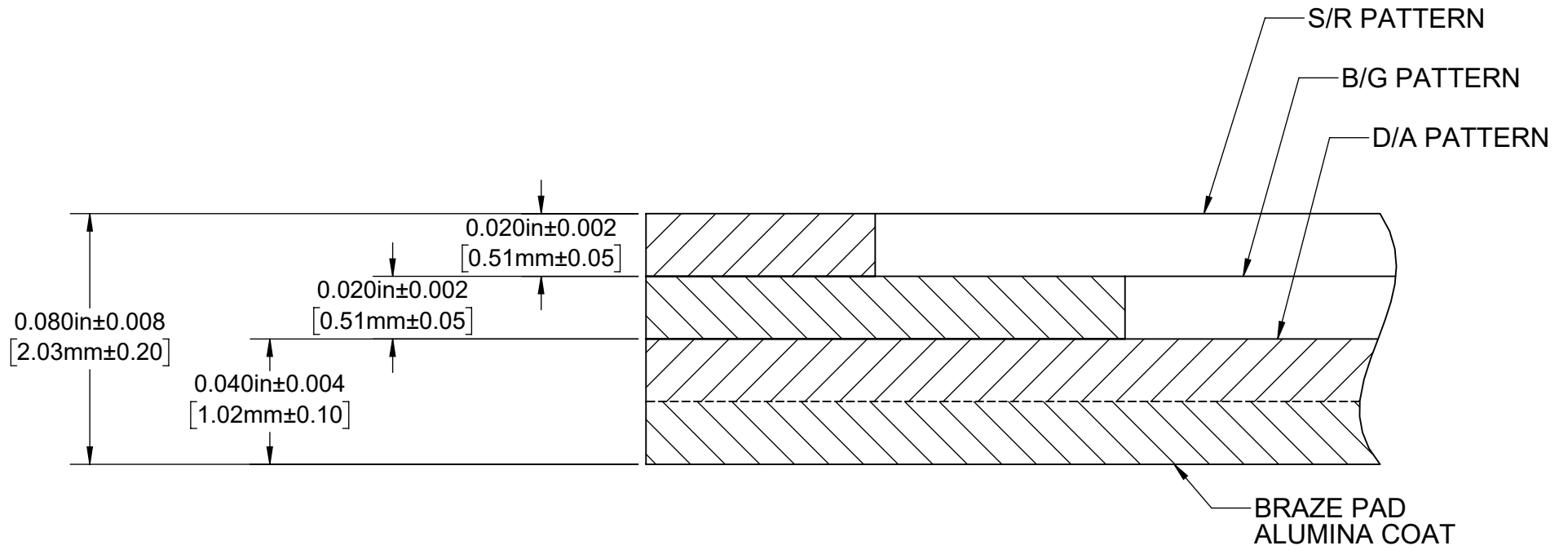
BOND	PIN NO.
76	M14
77	L13
78	N15
79	L14
80	M15
81	K13
82	K14
83	L15
84	J14
85	J13
86	K15
87	J15
88	H14
89	H15
90	H13
91	G13
92	G15
93	F15
94	G14
95	F14
96	F13
97	E15
98	E14
99	D15
100	D14

BOND	PIN NO.
101	D14
102	E13
103	C14
104	B15
105	D13
106	C13
107	B14
108	A15
109	C12
110	B13
111	A14
112	B12
113	C11
114	A13
115	B11
116	A12
117	C10
118	B10
119	A11
120	B9
121	C9
122	A10
123	A9
124	B8
125	A8

BOND	PIN NO.
126	C8
127	C7
128	A7
129	A6
130	B7
131	B6
132	C6
133	A5
134	B5
135	A4
136	A3
137	B4
138	C5
139	B3
140	A2
141	C4
142	C3
143	B2
144	A1

S / R	N / C
EXTRA PIN (D4)	C4

TopLine®			
TITLE CPGA145T-15X15-N472 CERAMIC PIN GRID ARRAY			
SCALE 8:1	SIZE A	DRAWING NO. 151450	REV A
DO NOT SCALE DRAWING			SHEET 3 OF 4



TITLE CPGA145T-15X15-N472 CERAMIC PIN GRID ARRAY			
SCALE NONE	SIZE A	DRAWING NO. 151450	REV A
DO NOT SCALE DRAWING			SHEET 4 OF 4