

Part # **PLCC100**

Leads **100 Pitch 1.27mm (50mils)**

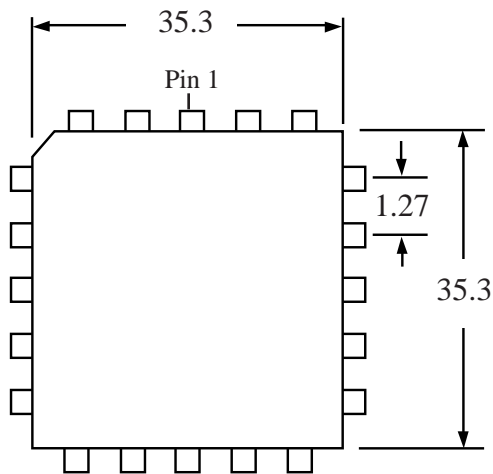
Body Size **35.3mm (1.39" SQ)**

Dwg **PLCC100.pdf**

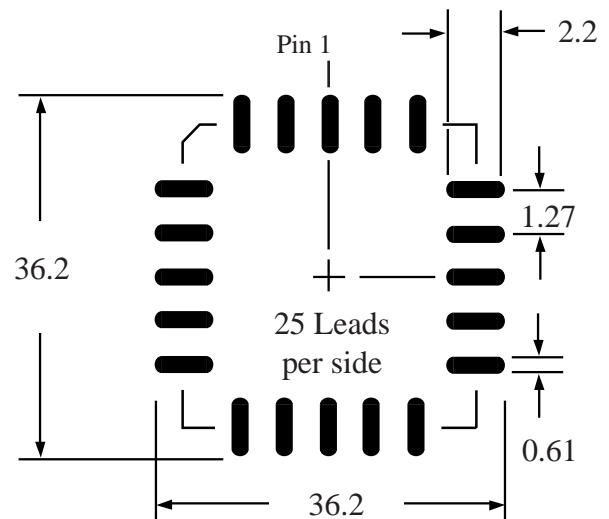
**TopLine**<sup>TM</sup>

Tel 1-714-898-3830

info@topline.to

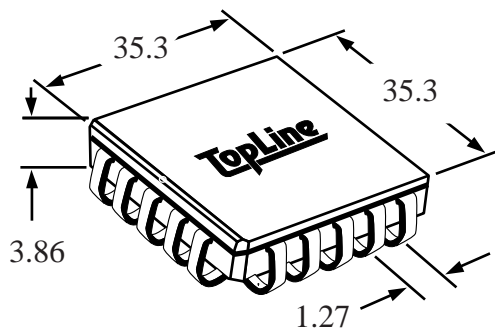


Top View

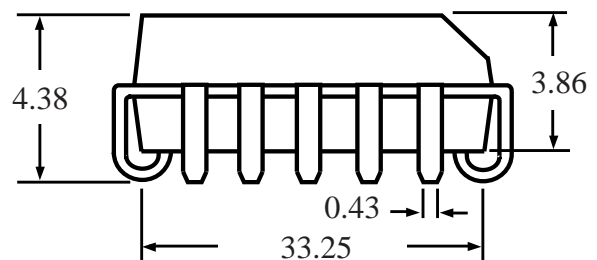


PC Board

Dimensions = mm



Quick View



Side View Detail