

Part # **PLCC18S**

Leads **18** Pitch **1.27mm**

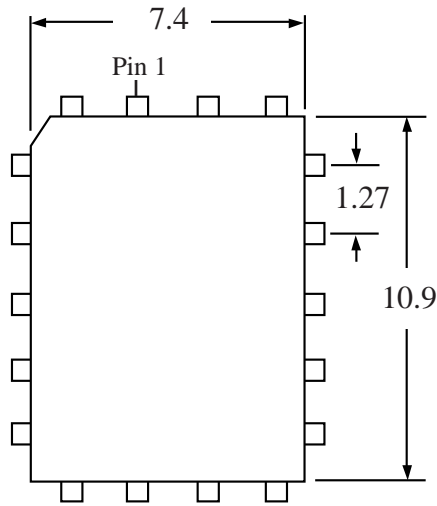
Body Size **7.4mm x 10.9mm (.29" x .43")**

Dwg **PLCC18S.pdf**

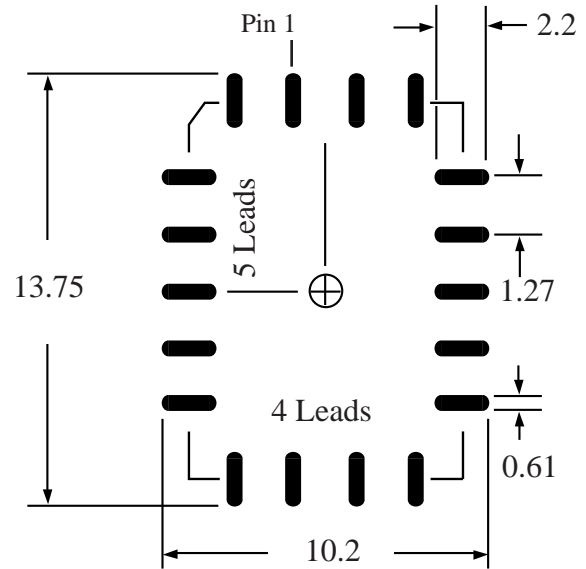
TopLineTM

Tel 1-714-898-3830

info@topline.to

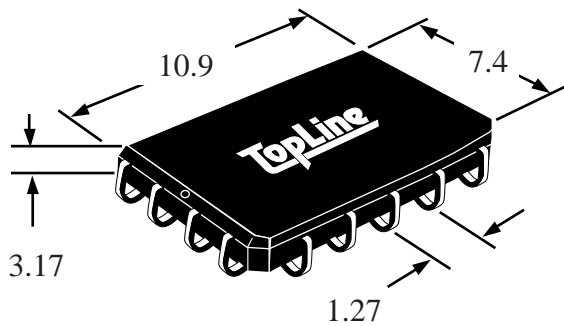


Top View

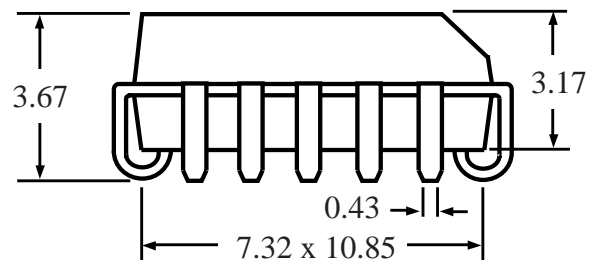


PC Board

Dimensions = mm



Quick View



Side View Detail