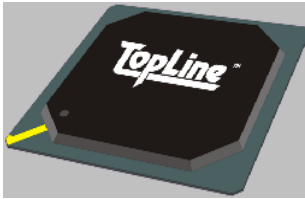
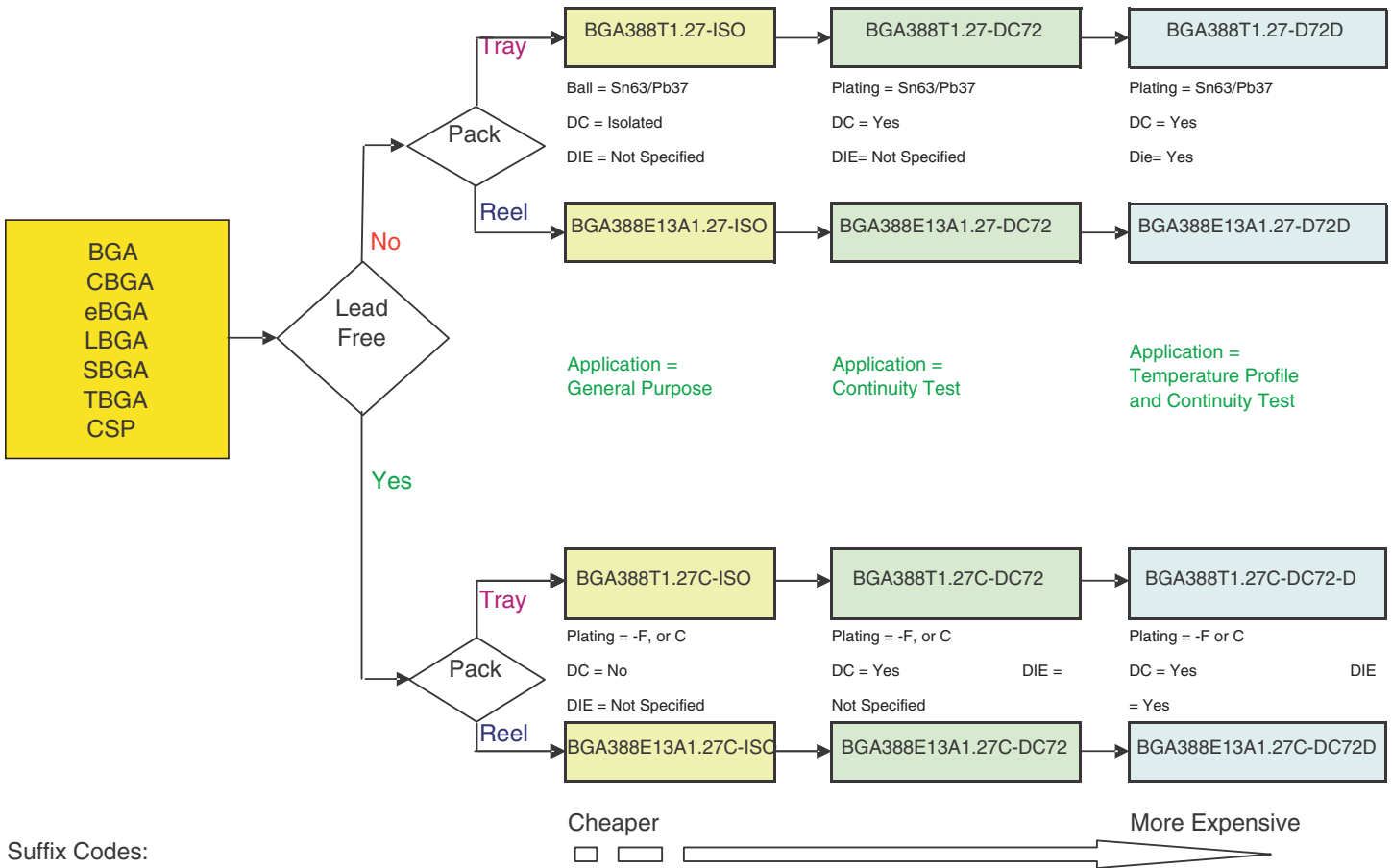


BGA Ball Grid Array



<u>BGA</u>	<u>225</u>	<u>T</u>	<u>1.5</u>	<u>Ball</u>	<u>Option</u>	<u>-</u>	<u>DC15</u>	<u>-</u>	<u>D</u>
DEVICE	NBR. BALLS		PITCH (MM)	DAISY CHAIN					
BGA = BT Plastic			1.5	Refers to a					
LBGA = FR4			1.27	drawing number					
SBGA = Cav Down with Heat Spreader			1.00						
CSP = BT Chip Scale			.8	Ball CODE					
			.75						
			.5	Blank = Sn63/Pb37 Standard					
				LEAD FREE (Pb Free)					
				C = Sn96.5/Ag3.0/Cu0.5					
				or Sn95.5/Ag4.0/Cu0.5					
				SOLDER BALL					
				Blank = Unspecified					
				D = Die					

Substituting BGA



Suffix Codes:

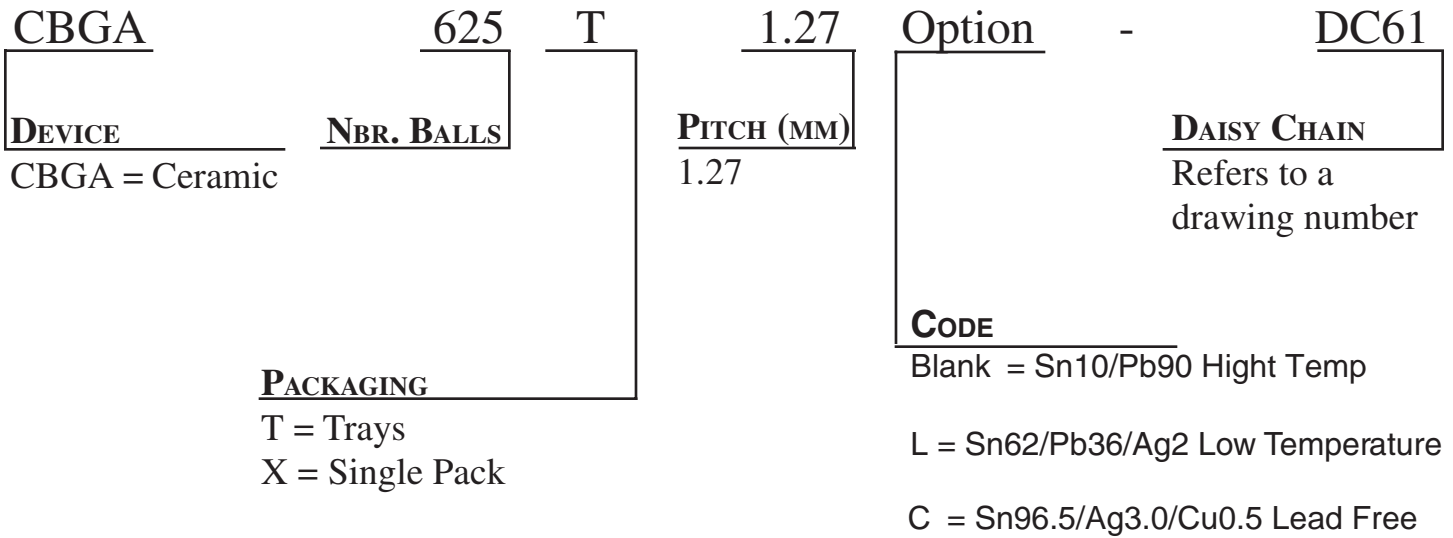
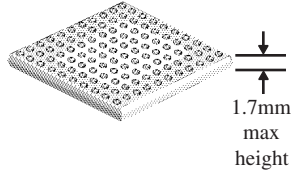
"DIE" is sometimes abbreviated to "D".

"DC" = Daisy Chain (SEE DRAWING) "ISO" = Isolated connections "BUS" = All Leads Connected.

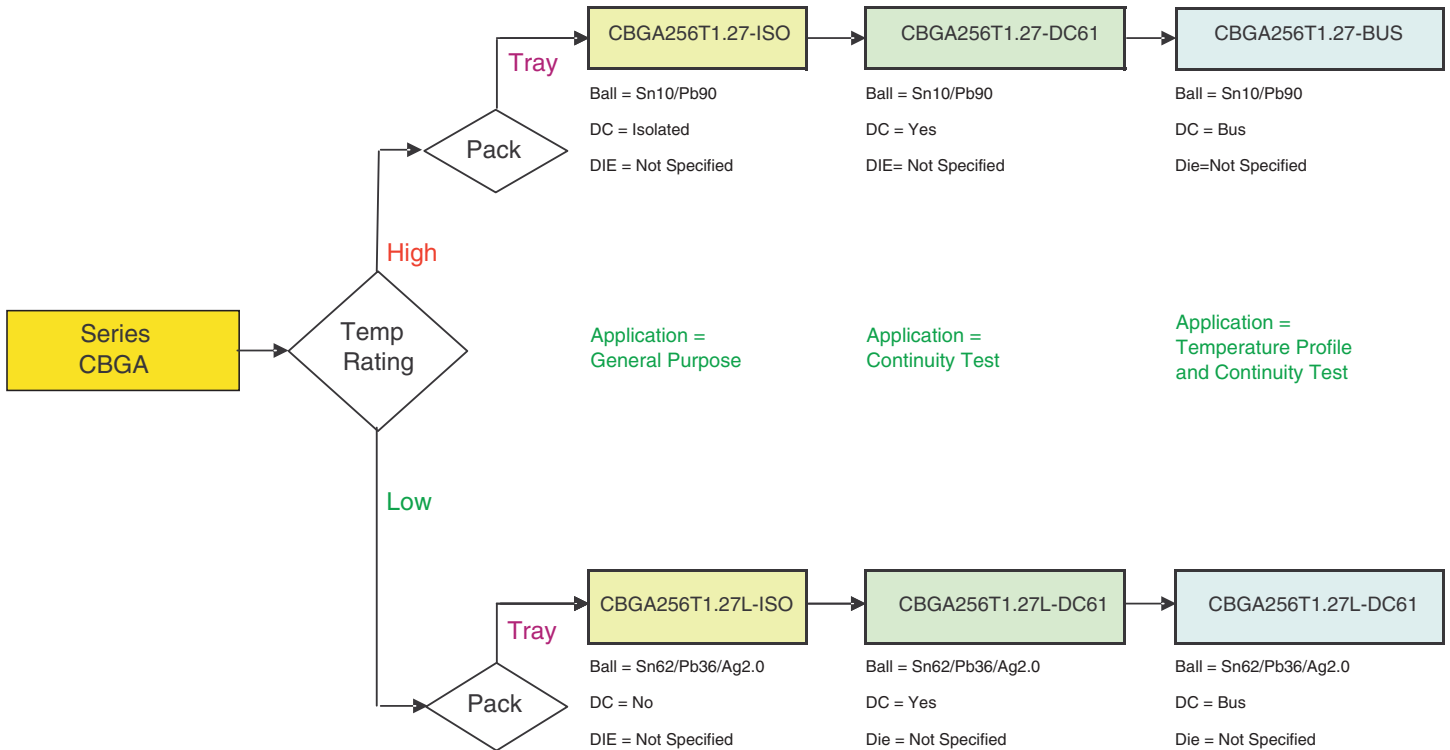
Lead Free Option: C = Sn95.6/Ag4.0/Cu0.5

Pack: "T" = TRAYS, E13A = 13" Reels, E7A = 7" Reel (special), "X" = mini Pack Bags

CBGA
Ceramic Ball Grid Array



Substituting CBGA



Suffix Codes:

"DC" = Daisy Chain (SEE DRAWING) "ISO" = Isolated connections "BUS" = All Leads Connected.

Solder Ball Choices: Blank = Sn10/Pb90 (High Temp) L = Sn62/Pb36/Ag2.0 (Low Temp) C=Sn96.5/Ag3.0/Cu0.5 Lead Free

Pack: "T" = TRAYS



Part Numbering System

TopLine Corporation
7331A Garden Grove Blvd
Garden Grove, Ca 92841 USA
Toll Free USA/Canada (800) 776-9888
Telephone: 1-714-898-3830
Fax 1-714-891-0321
Email sales@topline.tv
www.topline.tv

TopLine stocks a full range of standard and Lead Free dummy components and practice boards for SMT assembly practice and experimentation including Daisy Chain Test Vehicles.

Click here to download a full TopLine Dummy Components Catalog
<http://www.topline.tv/completecatalog.pdf>

TopLine also offers ESD static control products for the production floor.
http://www.esd.tv/TopLine_ESD_catalog.pdf