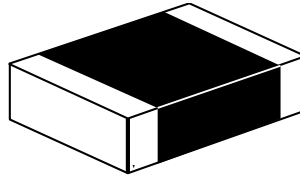
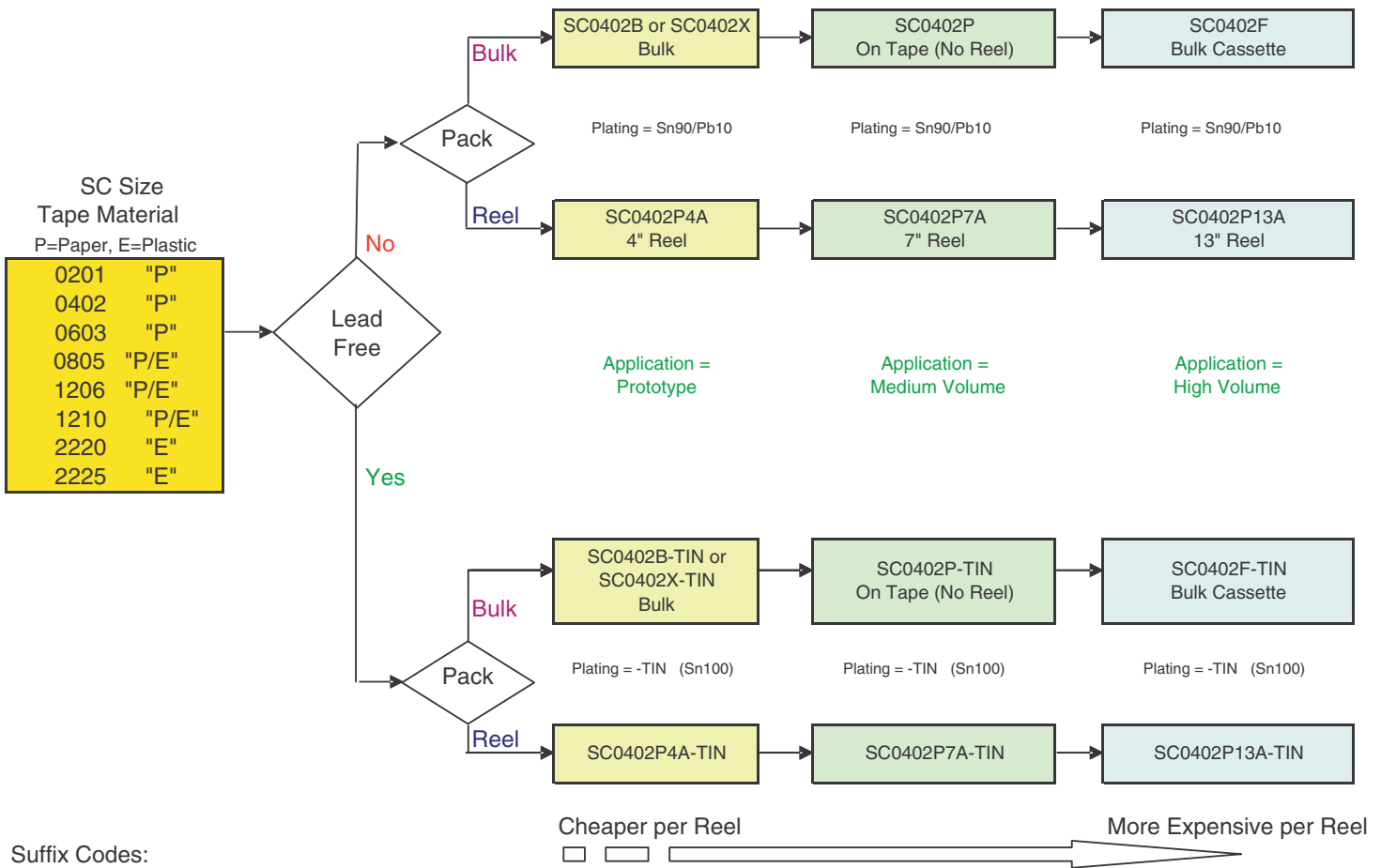


Ceramic Chip Capacitor



<p><u>SC</u></p> <p>SERIES</p> <p>SC = Ceramic Chip Capacitor</p>	<p><u>0805</u></p> <p>SIZE CODE</p> <p>INCH DIMENSIONS</p> <p>0805 = .08" x .05"</p>	<p><u>P</u></p> <p>PACKAGING</p> <p>P = Paper Tape E = Plastic Tape F = Bulk Cassette Box B = Bulk Bag X = Small Qty. Pack</p>	<p><u>7</u></p> <p>REEL SIZE</p> <p>4 = 4" (100mm) 7 = 7" (180mm) Standard 13 = 13" (330mm)</p>	<p><u>A</u></p> <p>REEL MATERIAL</p> <p>A = Plastic P = Paper</p>
--	--	---	--	---

Substituting Chip Capacitors "SC" Series



Suffix Codes:

Lead Free Plating: "TIN" = Sn100

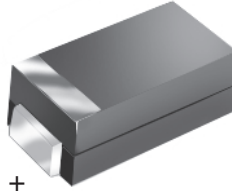
Pack: "B" = Bulk (unspecified pack), "X" = mini Pack Bags, "F" = Bulk Cassette

Paper Tape: P4A = 4" Mini Reel(special), P7A = 7" Reel, P13A = 13" Reels

Plastic Tape: E4A = 4" Mini Reel (special), E7A = 7" Reel, E13A = 13" Reels

On Tape (No Reel) "E" = Plastic Tape or "P" = Paper Tape

Tantalum Capacitor



+

SD

SERIES

SD = Tantalum Capacitor

3216

SIZE CODE

METRIC DIMENSIONS

A = 3216 = 3.2mm x 1.6mm
 B = 3528 = 3.5mm x 2.8mm
 C = 6032 = 6.0mm x 3.2mm
 D = 7343 = 7.3mm x 4.3mm

PACKAGING

E = Plastic Tape
 B = Bulk Bag
 X = Small Qty. Pack

E

7

A

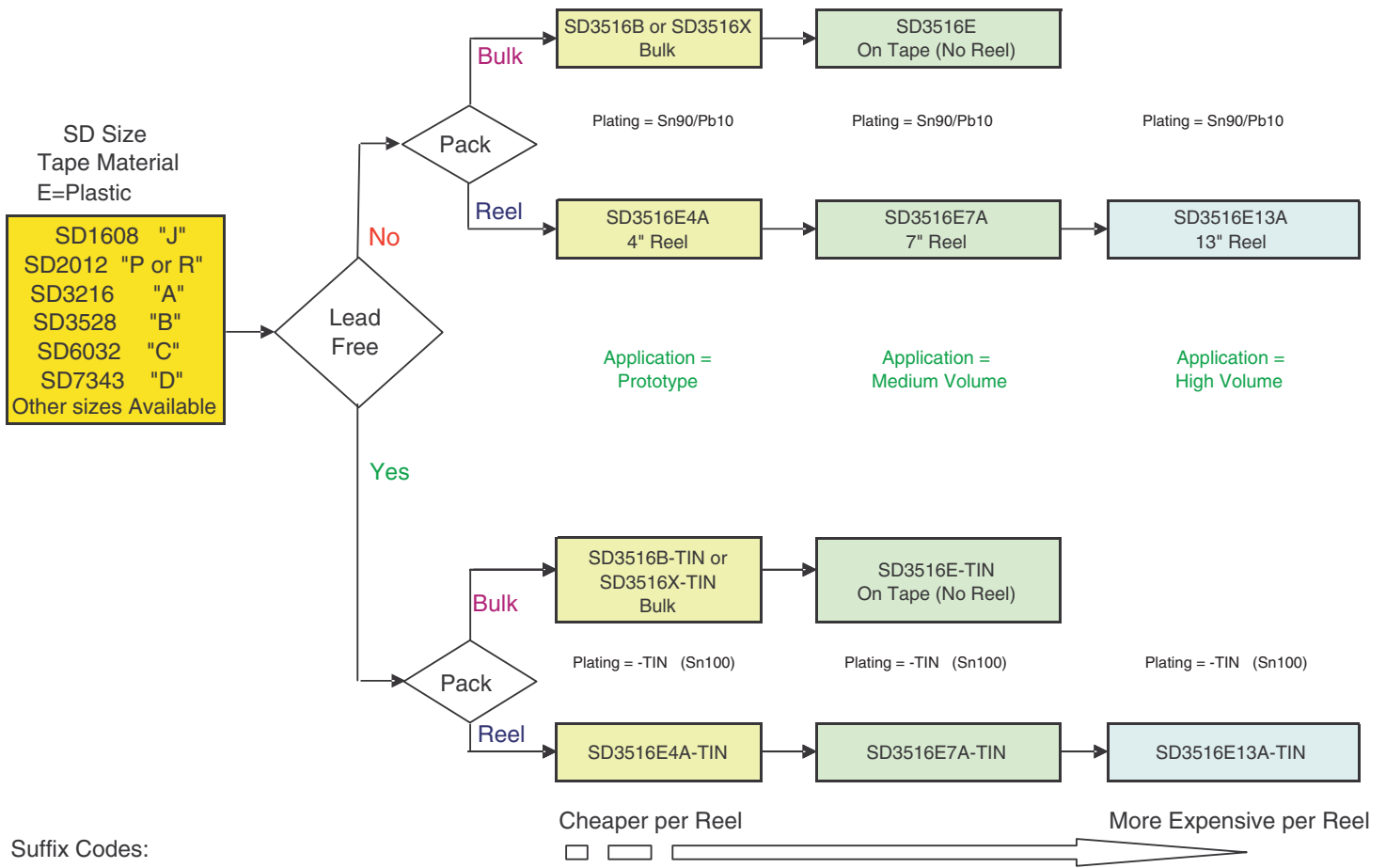
REEL SIZE

4 = 4" (100mm)
 7 = 7" (180mm) Standard

REEL MATERIAL

A = Plastic

Substituting Tantalum Capacitors "SD Series"



Suffix Codes:

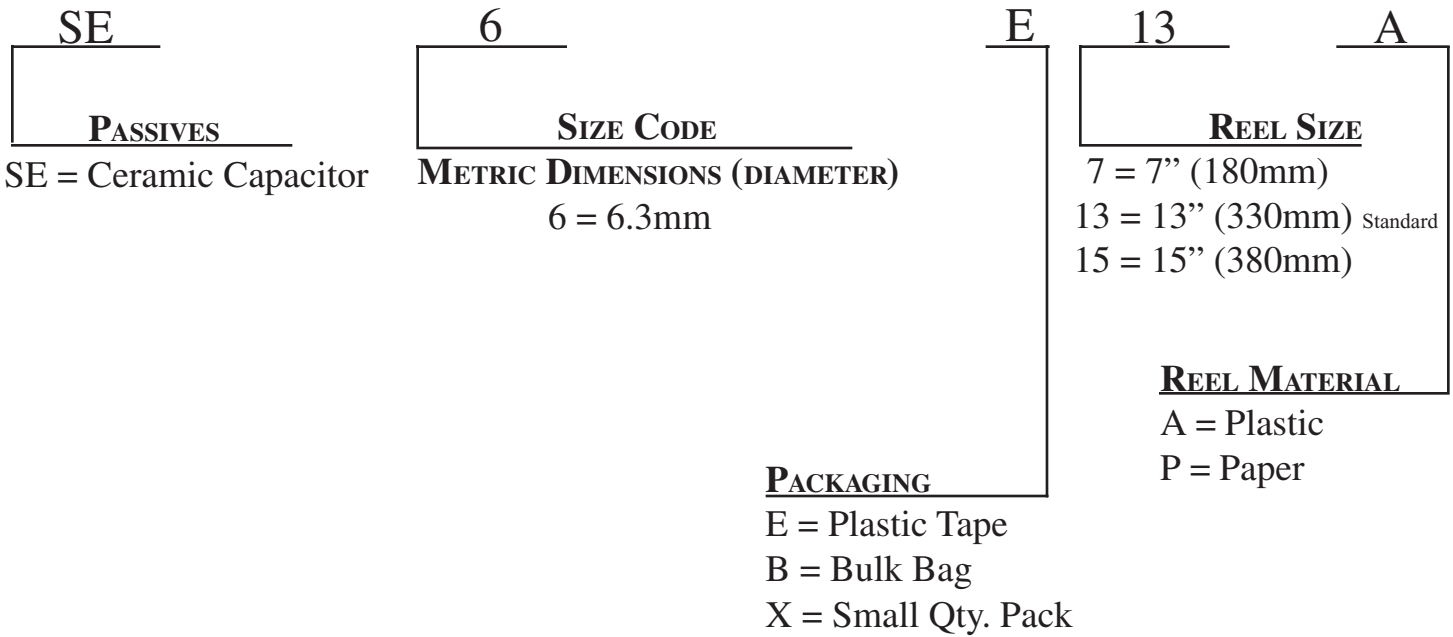
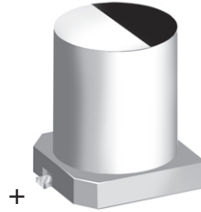
Lead Free Plating: "TIN" = Sn100

Pack: "B" = Bulk (unspecified pack), "X" = mini Pack Bags

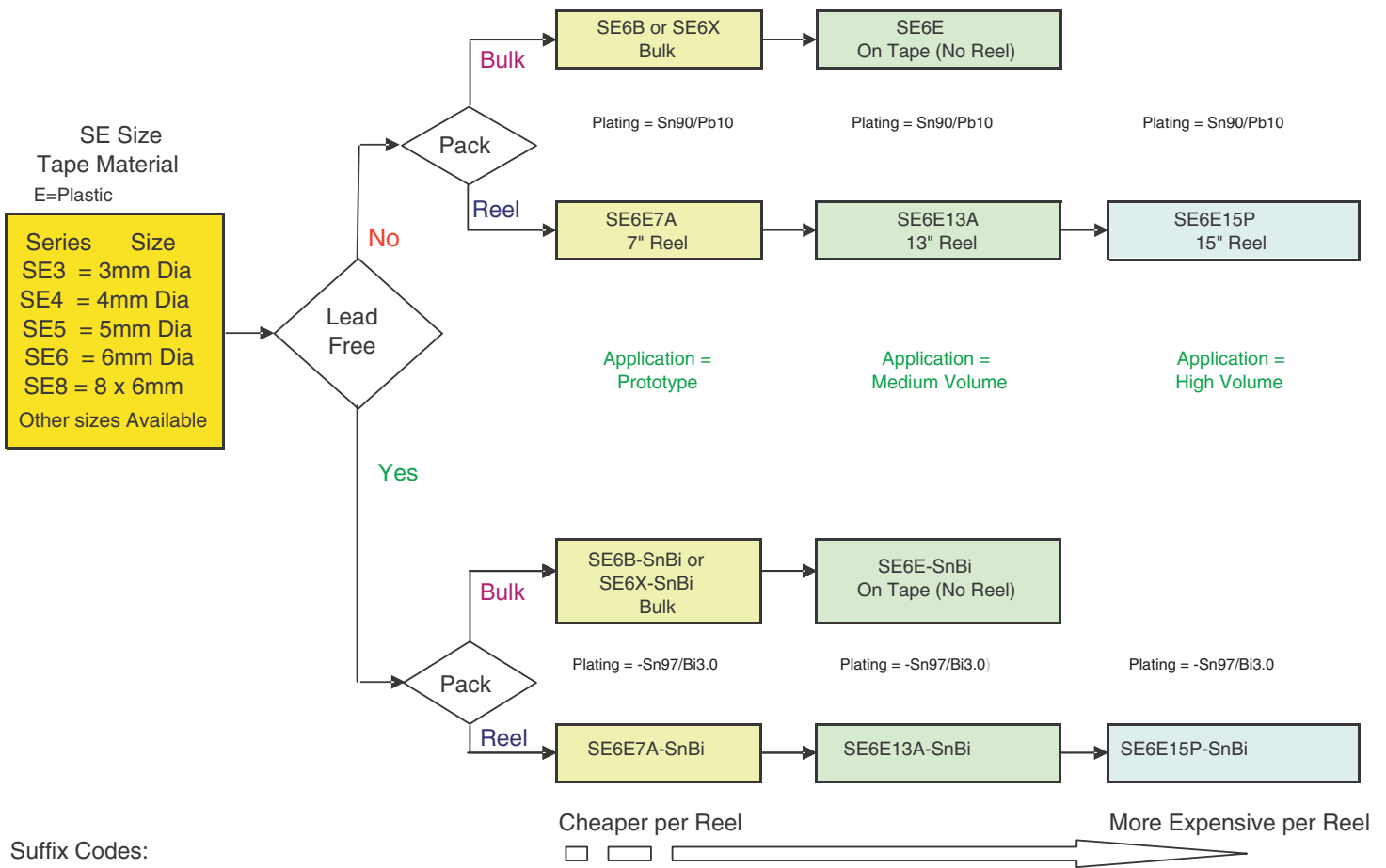
Plastic Tape: E4A = 4" Mini Reel (special), E7A = 7" Reel, E13A = 13" Reels

On Tape (No Reel) "E" = Plastic Tape

Aluminum Capacitor



Substituting Aluminum Capacitors “SE” Series



Suffix Codes:

Lead Free Plating: "SnBi" = Sn97/Bi3.0

Pack: "B" = Bulk (unspecified pack), "X" = mini Pack Bags

Plastic Tape: E7A = 7" Small Reel (special), E13A = 13" Reel, E15P = 15" Reels

On Tape (No Reel) "E" = Plastic Tape



Part Numbering System

TopLine Corporation
7331A Garden Grove Blvd
Garden Grove, Ca 92841 USA
Toll Free USA/Canada (800) 776-9888
Telephone: 1-714-898-3830
Fax 1-714-891-0321
Email sales@topline.tv
www.topline.tv

TopLine stocks a full range of standard and Lead Free dummy components and practice boards for SMT assembly practice and experimentation including Daisy Chain Test Vehicles.

Click here to download a full TopLine Dummy Components Catalog
<http://www.topline.tv/completecatalog.pdf>

TopLine also offers ESD static control products for the production floor.
http://www.esd.tv/TopLine_ESD_catalog.pdf