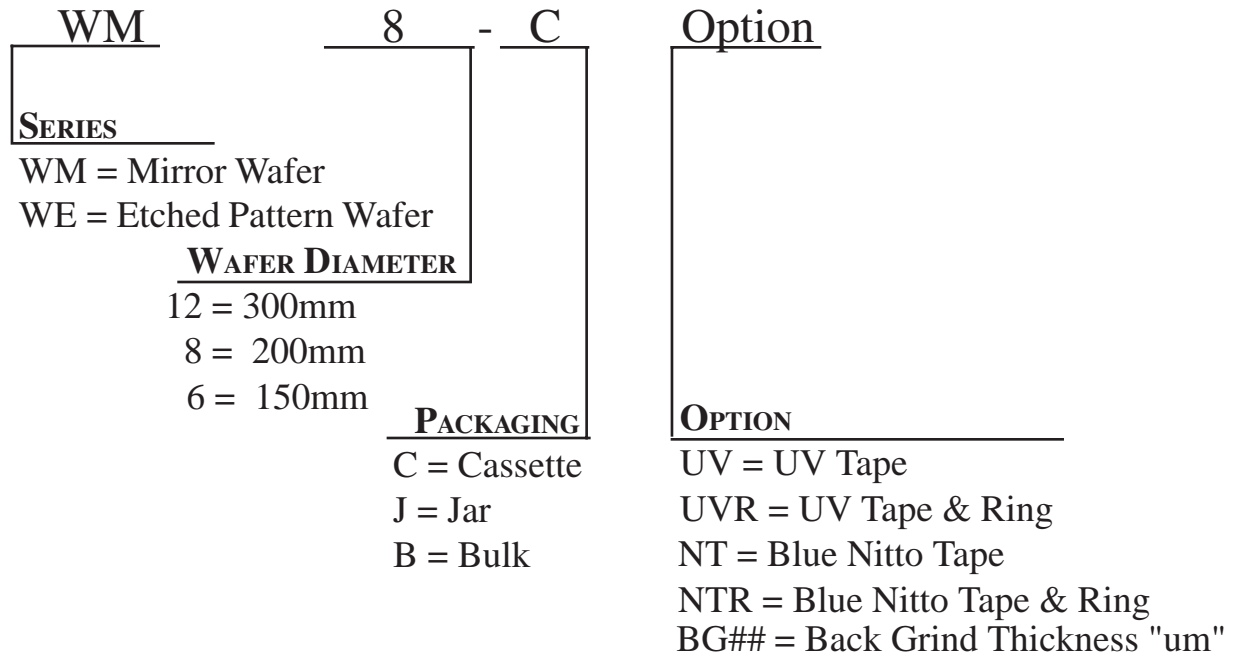
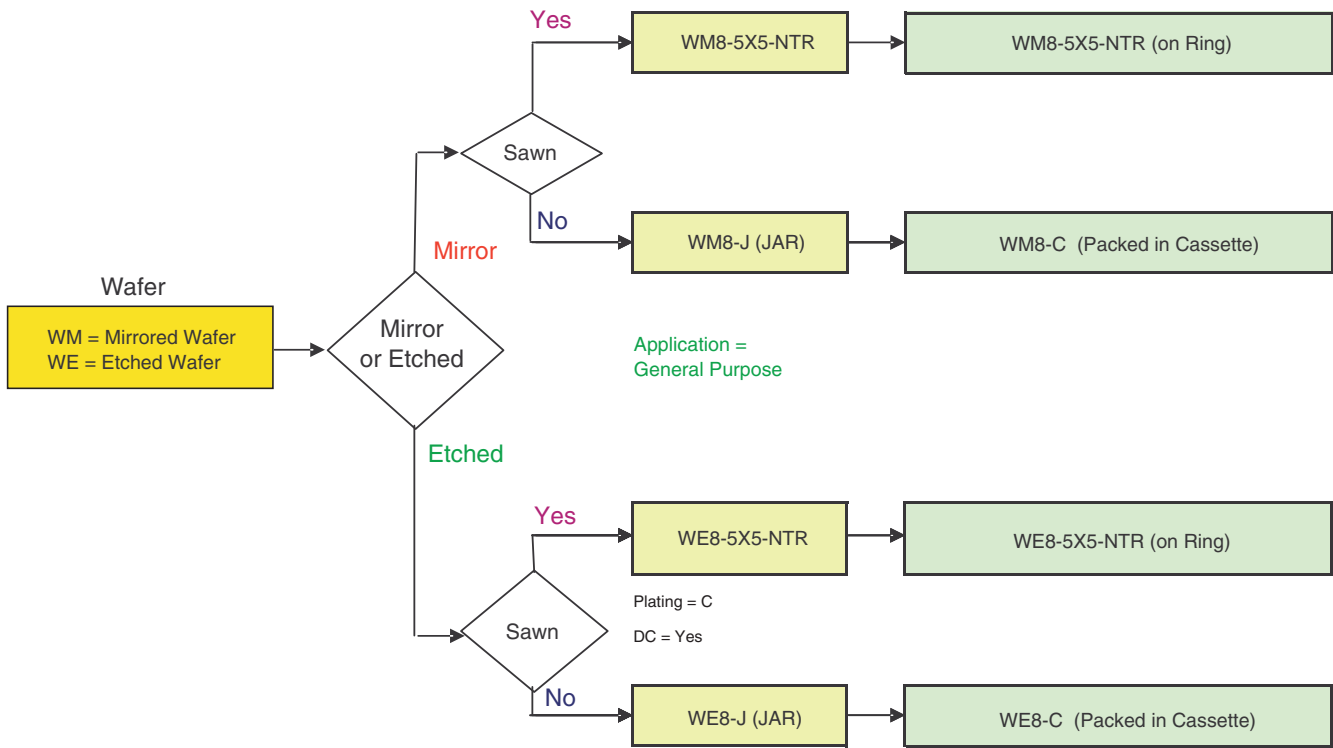


## Silicon Wafer

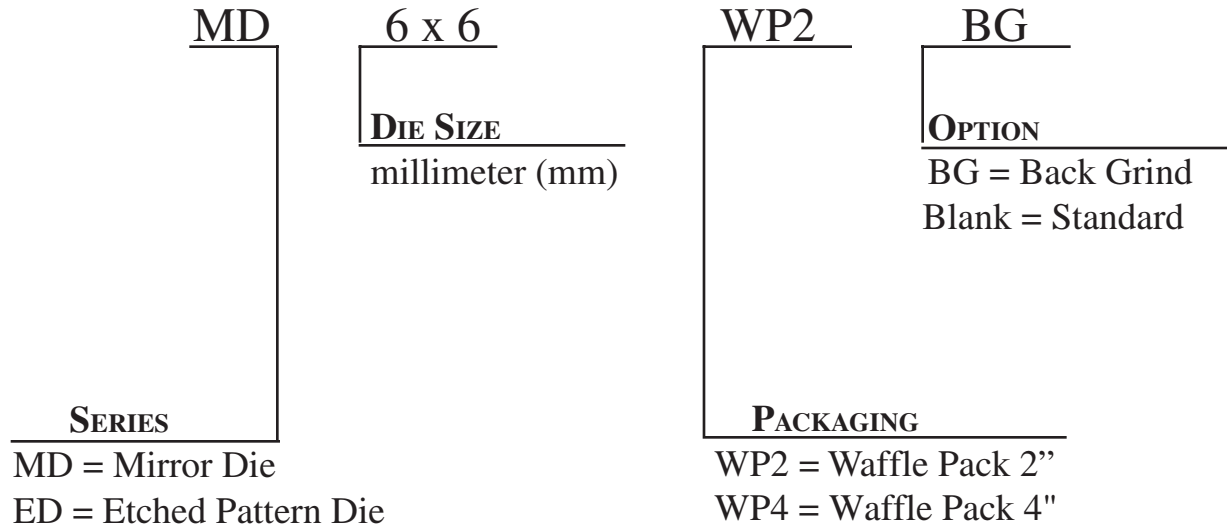


## Selecting Silicon Wafers

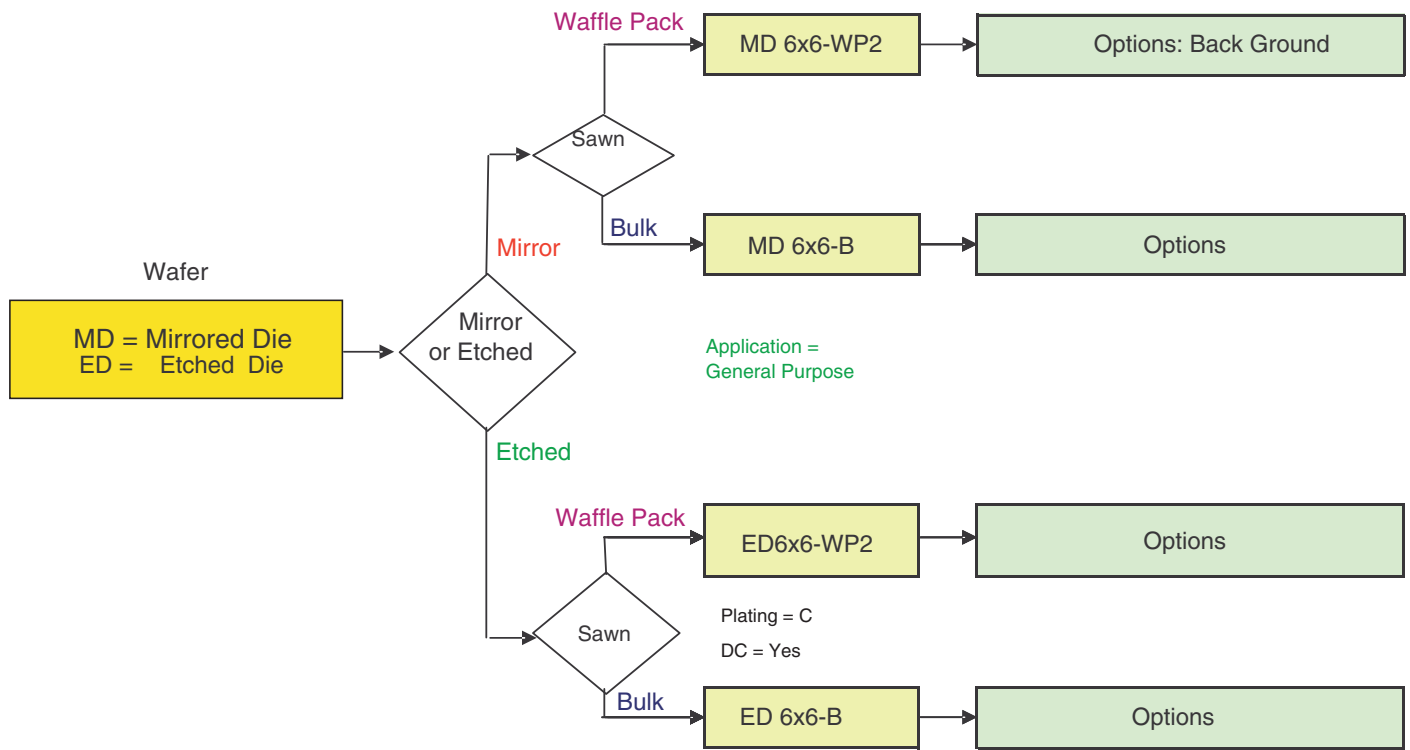


Suffix Codes: C= Cassette    J= Jar    B= Bulk    NTR= Nitto Tape & Ring

## Silicon Die



## Selecting Silicon Die



Suffix Codes:

Pack: Normally in 2" Square Waffle Packs



## Part Numbering System

TopLine Corporation  
7331A Garden Grove Blvd  
Garden Grove, Ca 92841 USA  
Toll Free USA/Canada (800) 776-9888  
Telephone: 1-714-898-3830  
Fax 1-714-891-0321  
Email [sales@topline.tv](mailto:sales@topline.tv)  
[www.topline.tv](http://www.topline.tv)

TopLine stocks a full range of standard and Lead Free dummy components and practice boards for SMT assembly practice and experimentation including Daisy Chain Test Vehicles.

Click here to download a full TopLine Dummy Components Catalog  
<http://www.topline.tv/completecatalog.pdf>

TopLine also offers ESD static control products for the production floor.  
[http://www.esd.tv/TopLine\\_ESD\\_catalog.pdf](http://www.esd.tv/TopLine_ESD_catalog.pdf)