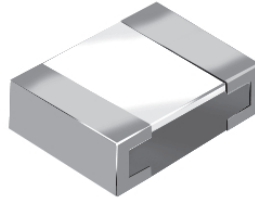


Chip Resistor



SR

PASSIVES

SR = Chip Resistors

0805

SIZE CODE

INCH DIMENSIONS
0805 = .08" x .05"

P

PACKAGING

P = Paper Tape
E = Plastic Tape
F = Bulk Cassette Box
B = Bulk Bag
X = Small Qty. Pack

7

REEL SIZE

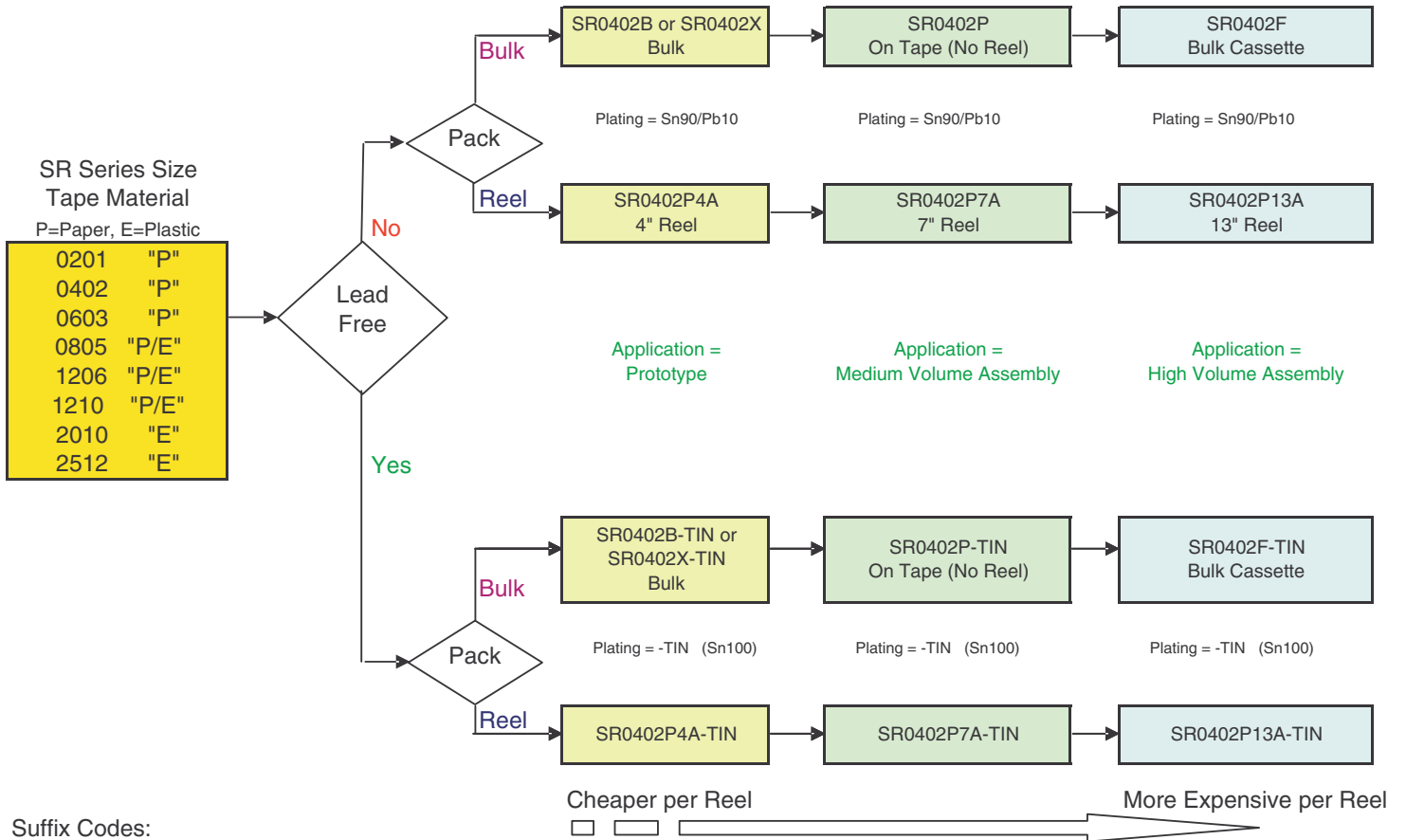
4 = 4" (100mm)
7 = 7" (180mm) Standard
13 = 13" (330mm)

A

REEL MATERIAL

A = Plastic
P = Paper

Substituting Chip Resistors "SR" Series



Suffix Codes:

Lead Free Plating: "TIN" = Sn100

Pack: "B" = Bulk (unspecified pack), "X" = mini Pack Bags, "F" = Bulk Cassette

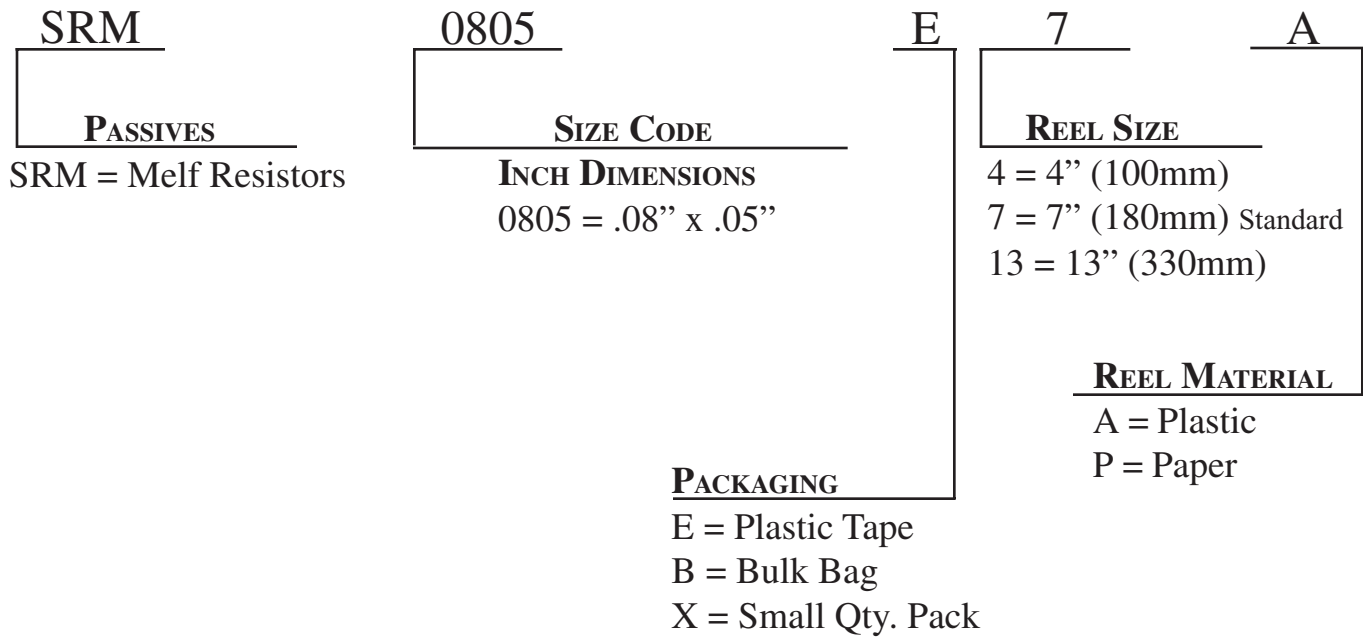
Paper Tape: P4A = 4" Mini Reel (special), P7A = 7" Reel, P13A = 13" Reels

Plastic Tape: E4A = 4" Mini Reel (special), E7A = 7" Reel, E13A = 13" Reels,

On Tape (No Reel) "E" = Plastic Tape or "P" = Paper Tape

-ZERO = Zero Ohm Resistors

MELF Resistor



Chip Inductor



MOLDED CASE



MULTILAYER INDUCTOR

SI

PASSIVES

SI = Inductor

1812

SIZE CODE

INCH DIMENSIONS
1812 = .18" x .12"

E

PACKAGING

E = Plastic Tape
B = Bulk Bag
X = Small Qty. Pack

7

REEL SIZE

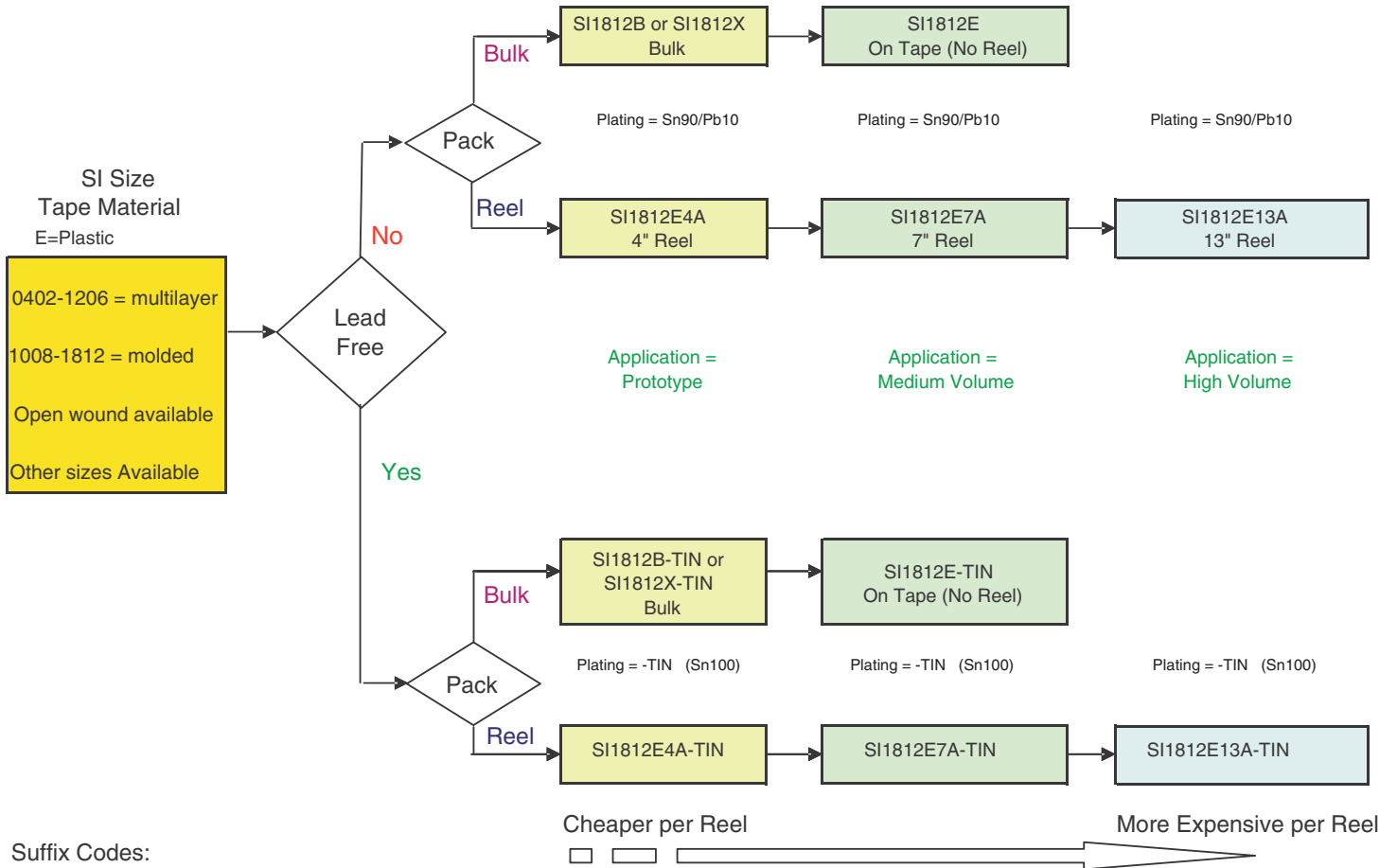
4 = 4" (100mm)
7 = 7" (180mm) Standard
13 = 13" (330mm)

A

REEL MATERIAL

A = Plastic

Substituting Inductors "SI" Series



Suffix Codes:

Lead Free Plating: "TIN" = Sn100

Pack: "B" = Bulk (unspecified pack), "X" = mini Pack Bags

Plastic Tape: E4A = 4" Mini Reel (special), E7A = 7" Reel, E13A = 13" Reels

On Tape (No Reel) "E" = Plastic Tape



Part Numbering System

TopLine Corporation
7331A Garden Grove Blvd
Garden Grove, Ca 92841 USA
Toll Free USA/Canada (800) 776-9888
Telephone: 1-714-898-3830
Fax 1-714-891-0321
Email sales@topline.tv
www.topline.tv

TopLine stocks a full range of standard and Lead Free dummy components and practice boards for SMT assembly practice and experimentation including Daisy Chain Test Vehicles.

Click here to download a full TopLine Dummy Components Catalog
<http://www.topline.tv/completecatalog.pdf>

TopLine also offers ESD static control products for the production floor.
http://www.esd.tv/TopLine_ESD_catalog.pdf