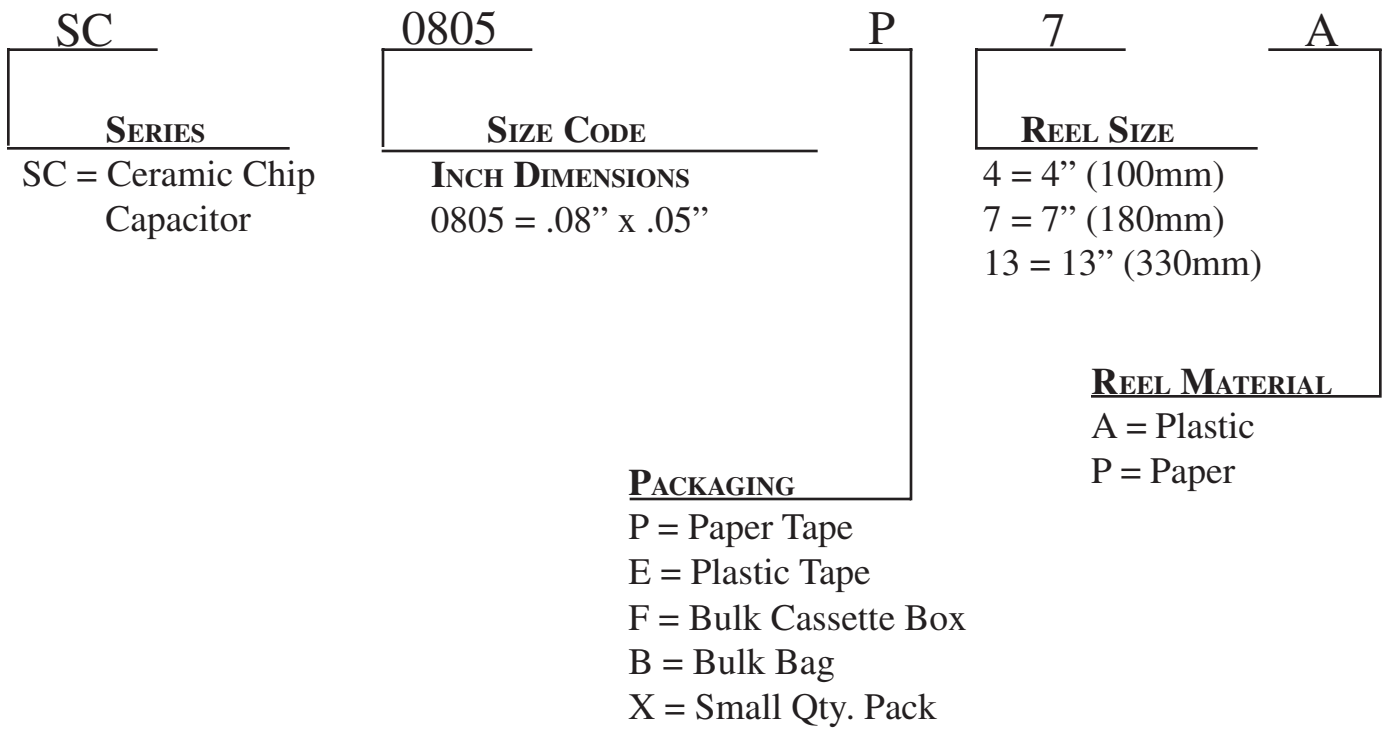
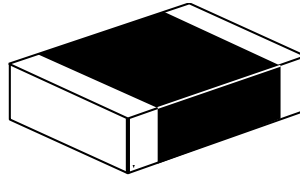
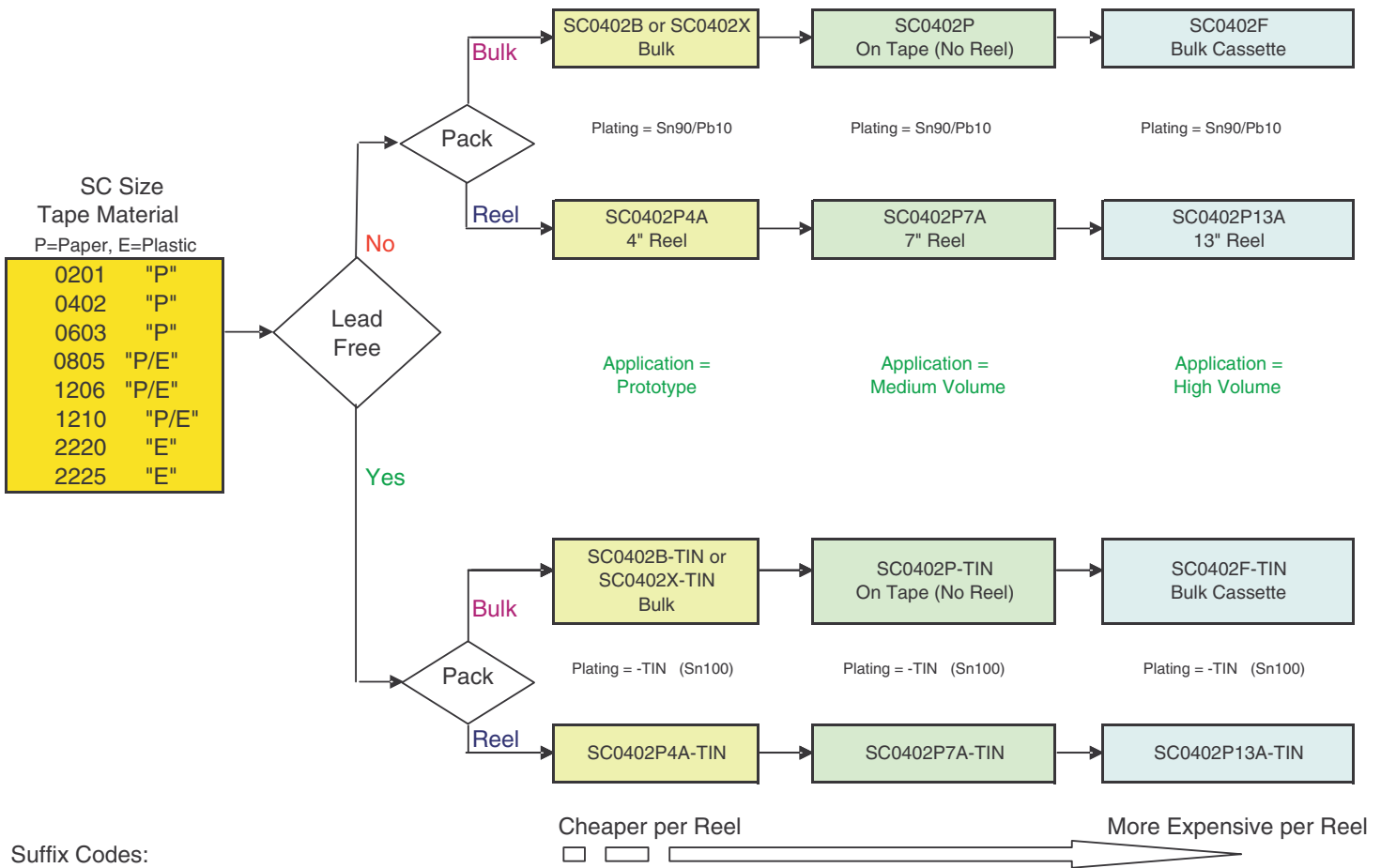


## Ceramic Chip Capacitor



## Substituting Chip Capacitors "SC" Series



Suffix Codes:

Lead Free Plating: "TIN" = Sn100

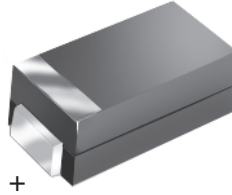
Pack: "B" = Bulk (unspecified pack), "X" = mini Pack Bags, "F" = Bulk Cassette

Paper Tape: P4A = 4" Mini Reel(special), P7A = 7" Reel, P13A = 13" Reels

Plastic Tape: E4A = 4" Mini Reel (special), E7A = 7" Reel, E13A = 13" Reels

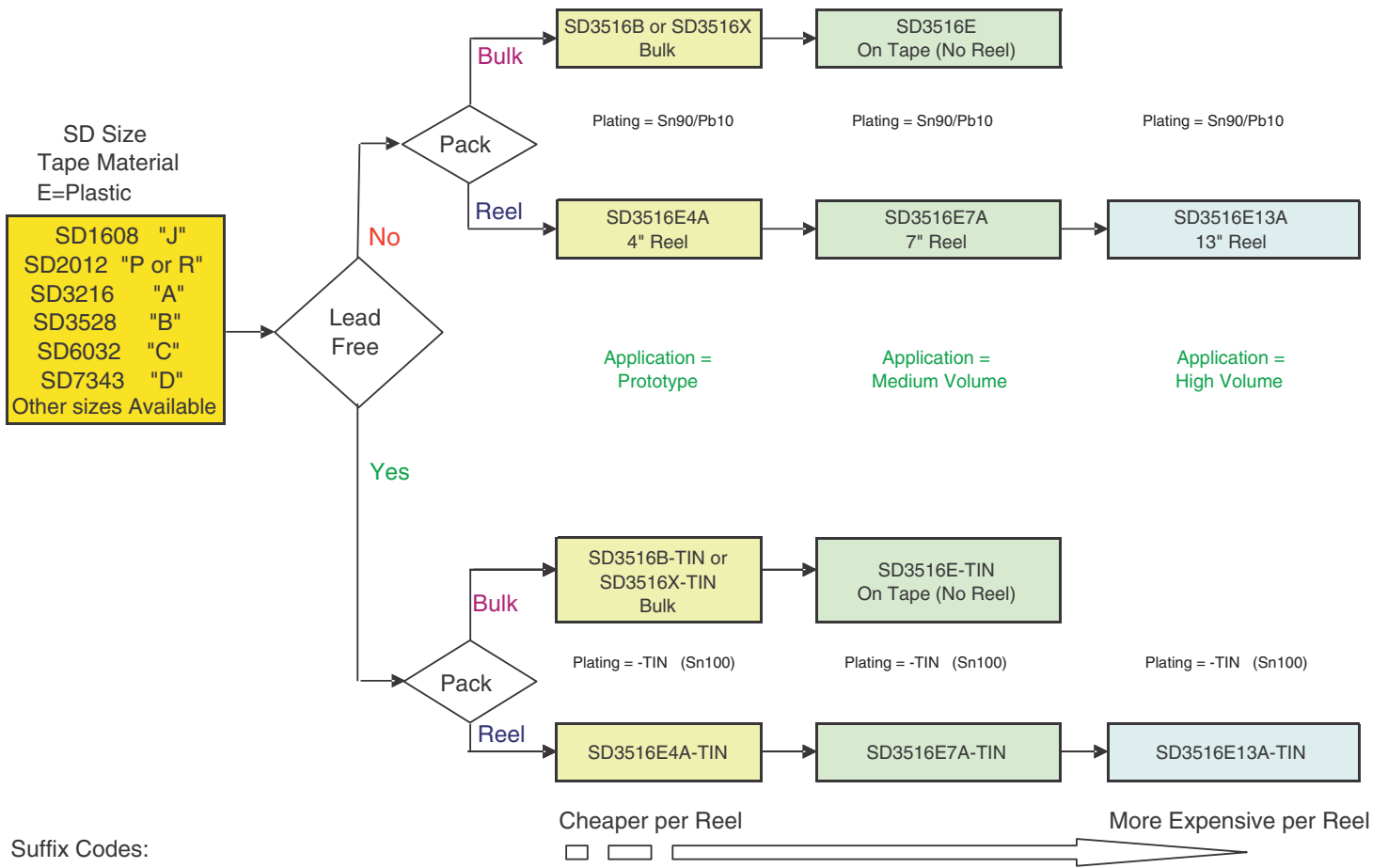
On Tape (No Reel) "E" = Plastic Tape or "P" = Paper Tape

## Tantalum Capacitor



<p><b>SD</b></p> <hr/> <p><b>SERIES</b></p> <p>SD = Tantalum Capacitor</p>	<p><b>3216</b></p> <hr/> <p><b>SIZE CODE</b></p> <p><b>METRIC DIMENSIONS</b></p> <p>A = 3216 = 3.2mm x 1.6mm</p> <p>B = 3528 = 3.5mm x 2.8mm</p> <p>C = 6032 = 6.0mm x 3.2mm</p> <p>D = 7343 = 7.3mm x 4.3mm</p>	<p><b>E</b></p> <hr/> <p><b>PACKAGING</b></p> <p>E = Plastic Tape</p> <p>B = Bulk Bag</p> <p>X = Small Qty. Pack</p>	<p><b>7</b></p> <hr/> <p><b>REEL SIZE</b></p> <p>4 = 4" (100mm)</p> <p>7 = 7" (180mm)</p> <p>13 = 13" (330mm)</p>	<p><b>A</b></p> <hr/> <p><b>REEL MATERIAL</b></p> <p>A = Plastic</p>
--	--	--	---	--

## Substituting Tantalum Capacitors "SD Series"



Suffix Codes:

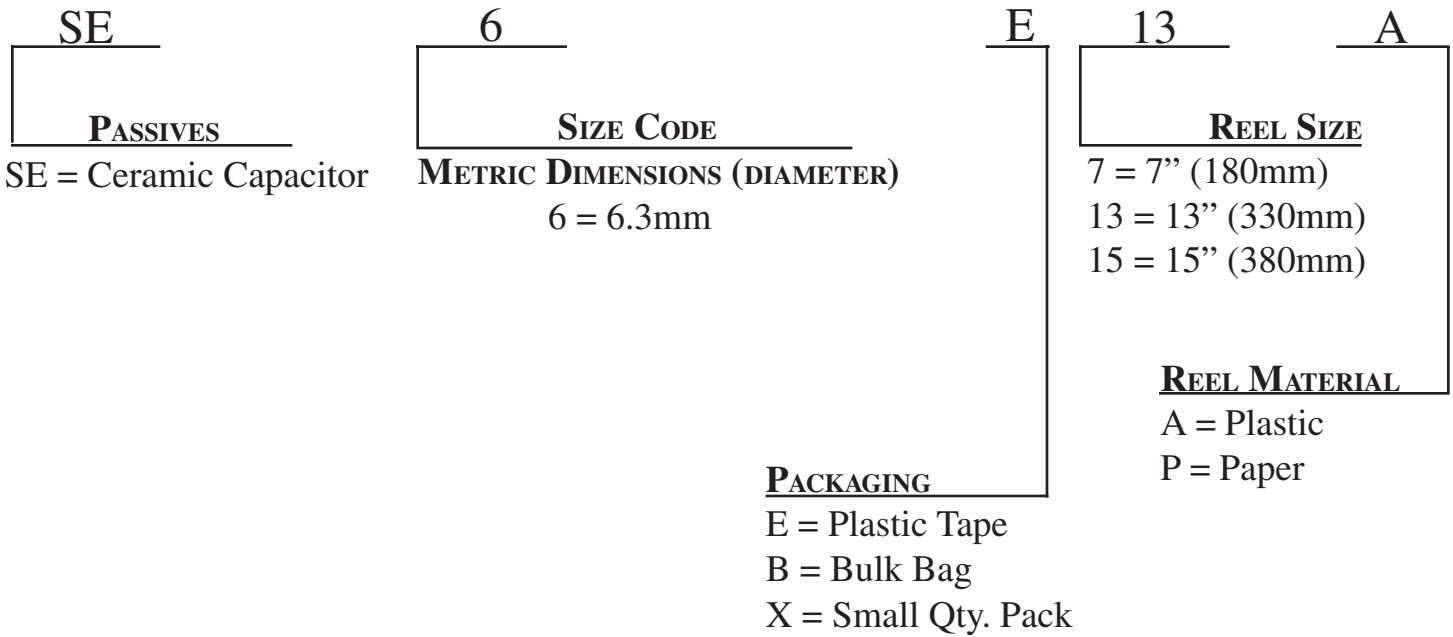
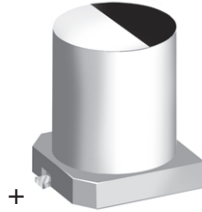
Lead Free Plating: "TIN" = Sn100

Pack: "B" = Bulk (unspecified pack), "X" = mini Pack Bags

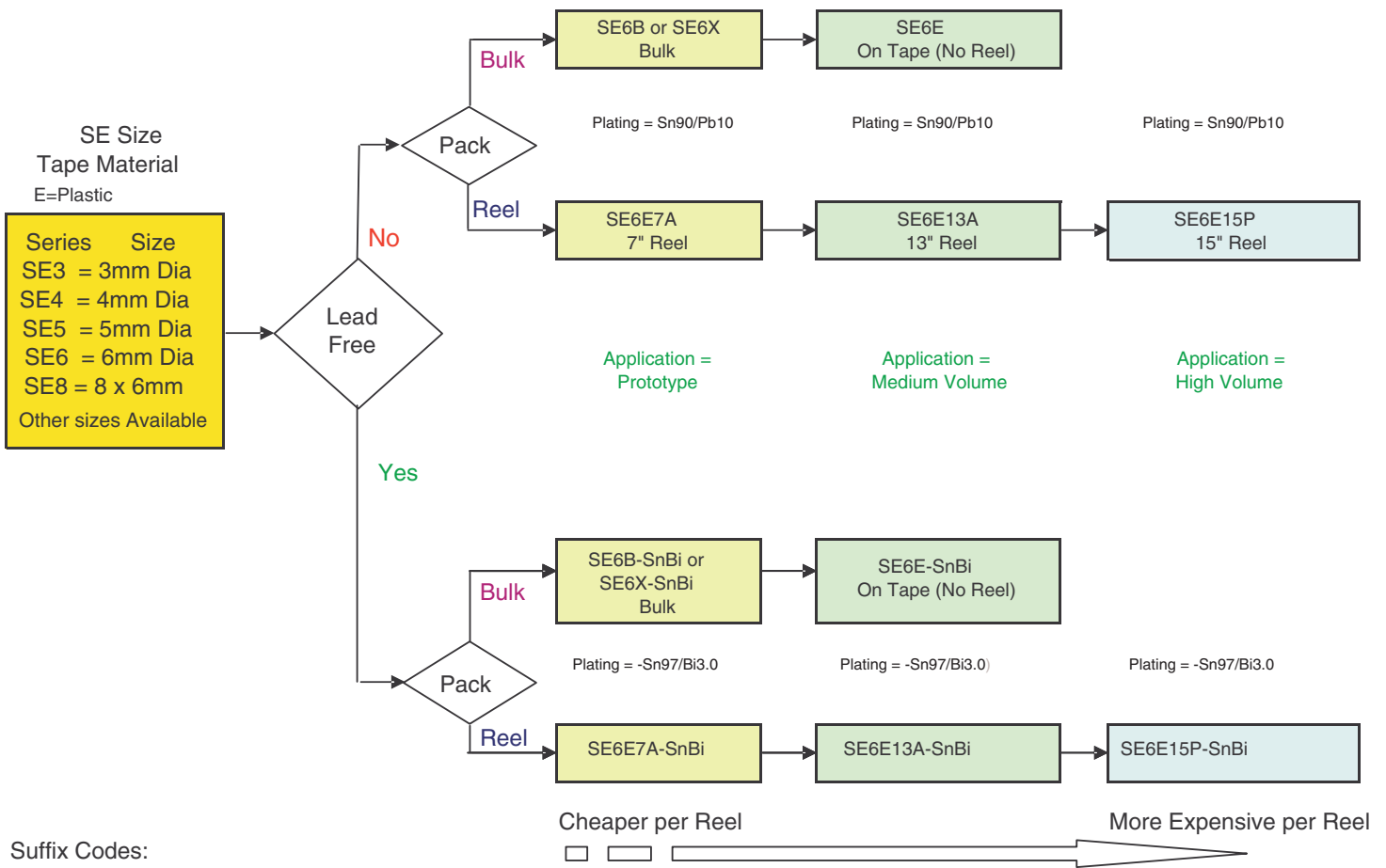
Plastic Tape: E4A = 4" Mini Reel (special), E7A = 7" Reel, E13A = 13" Reels

On Tape (No Reel) "E" = Plastic Tape

## Aluminum Capacitor



## Substituting Aluminum Capacitors “SE” Series



Suffix Codes:

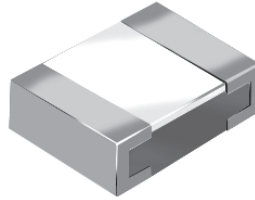
Lead Free Plating: "SnBi" = Sn97/Bi3.0

Pack: "B" = Bulk (unspecified pack), "X" = mini Pack Bags

Plastic Tape: E7A = 7" Small Reel (special), E13A = 13" Reel, E15P = 15" Reels

On Tape (No Reel) "E" = Plastic Tape

## Chip Resistor



SR

**PASSIVES**

SR = Chip Resistors

0805

**SIZE CODE**

**INCH DIMENSIONS**  
0805 = .08" x .05"

P

**PACKAGING**

P = Paper Tape  
E = Plastic Tape  
F = Bulk Cassette Box  
B = Bulk Bag  
X = Small Qty. Pack

7

**REEL SIZE**

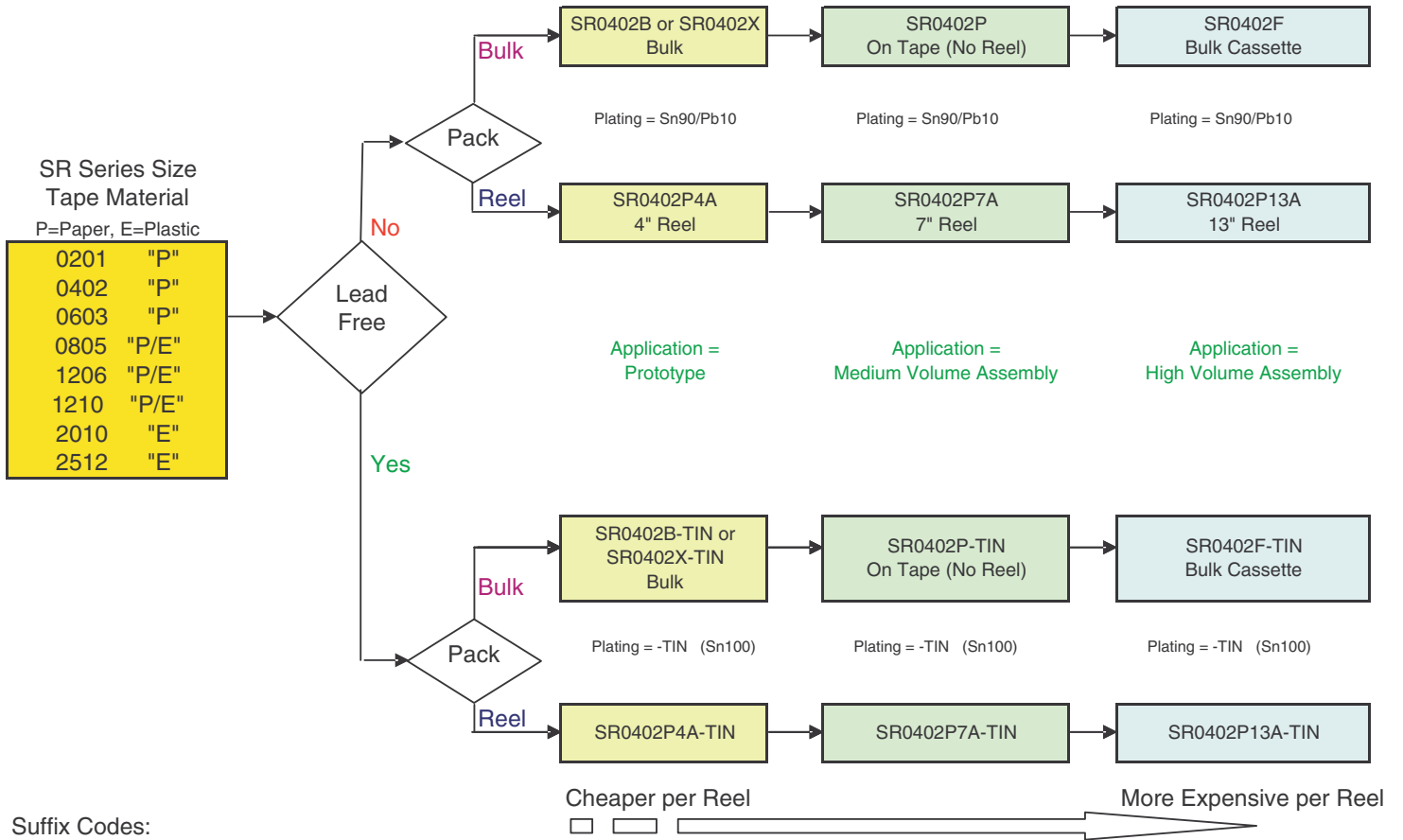
4 = 4" (100mm)  
7 = 7" (180mm)  
13 = 13" (330mm)

A

**REEL MATERIAL**

A = Plastic  
P = Paper

## Substituting Chip Resistors "SR" Series



### Suffix Codes:

Lead Free Plating: "TIN" = Sn100

Pack: "B" = Bulk (unspecified pack), "X" = mini Pack Bags, "F" = Bulk Cassette

Paper Tape: P4A = 4" Mini Reel (special), P7A = 7" Reel, P13A = 13" Reels

Plastic Tape: E4A = 4" Mini Reel (special), E7A = 7" Reel, E13A = 13" Reels,

On Tape (No Reel) "E" = Plastic Tape or "P" = Paper Tape

-ZERO = Zero Ohm Resistors

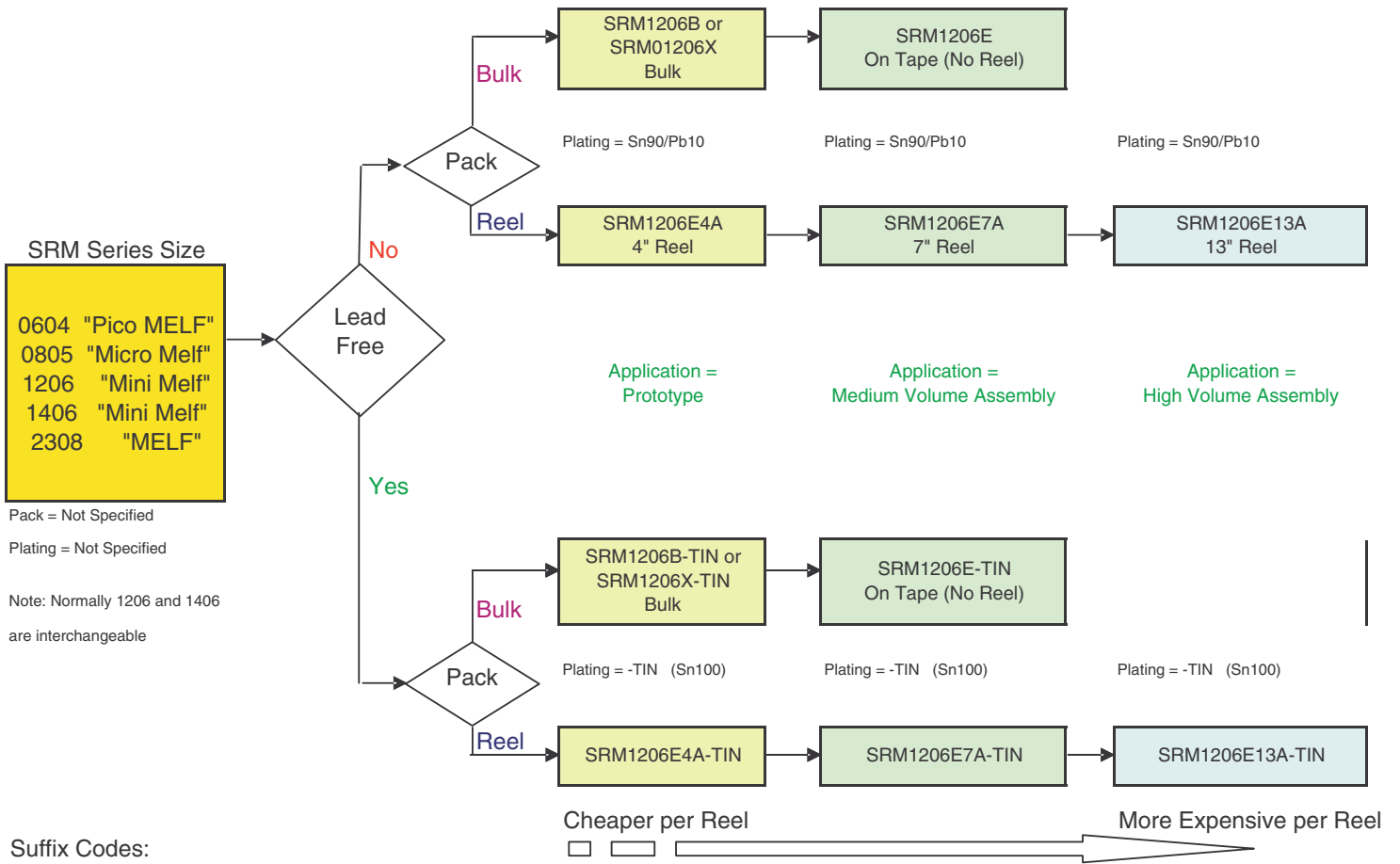


## MELF Resistor



<p><b>SRM</b></p> <hr/> <p><b>PASSIVES</b></p> <p>SRM = Melf Resistors</p>	<p><b>0805</b></p> <hr/> <p><b>SIZE CODE</b></p> <p><b>INCH DIMENSIONS</b> 0805 = .08" x .05"</p>	<p><b>E</b></p> <hr/> <p><b>PACKAGING</b></p> <p>E = Plastic Tape B = Bulk Bag X = Small Qty. Pack</p>	<p><b>7</b></p> <hr/> <p><b>REEL SIZE</b></p> <p>4 = 4" (100mm) 7 = 7" (180mm) 13 = 13" (330mm)</p>	<p><b>A</b></p> <hr/> <p><b>REEL MATERIAL</b></p> <p>A = Plastic P = Paper</p>
--	---	--	---	--

## Substituting Melf Resistors "SRM" Series



**Suffix Codes:**

Lead Free Plating: "TIN" = Sn100

Pack: "B" = Bulk (unspecified pack), "X" = mini Pack Bags

Plastic Tape: E13A = 13" Reels, E7A = 7" Reel, E4A = 4" Mini Reel (special)

"E" = On Plastic Tape. No Reel

-ZERO = Zero Ohm Resistors

## Chip Inductor



MOLDED CASE



MULTILAYER INDUCTOR

SI

**PASSIVES**

SI = Inductor

1812

**SIZE CODE**

**INCH DIMENSIONS**  
1812 = .18" x .12"

E

**PACKAGING**

E = Plastic Tape  
B = Bulk Bag  
X = Small Qty. Pack

7

**REEL SIZE**

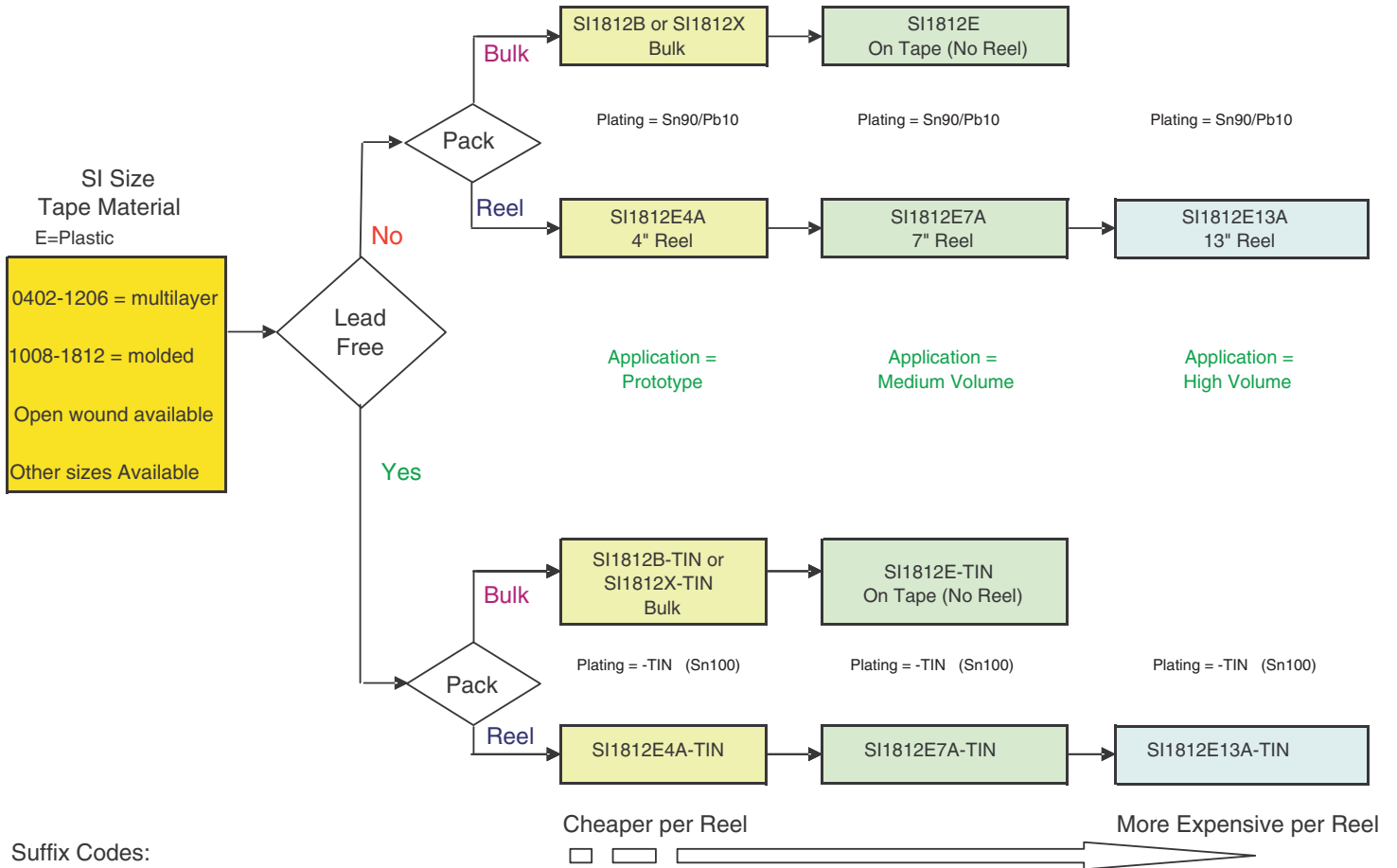
4 = 4" (100mm)  
7 = 7" (180mm)  
13 = 13" (330mm)

A

**REEL MATERIAL**

A = Plastic

## Substituting Inductors "SI" Series



Suffix Codes:

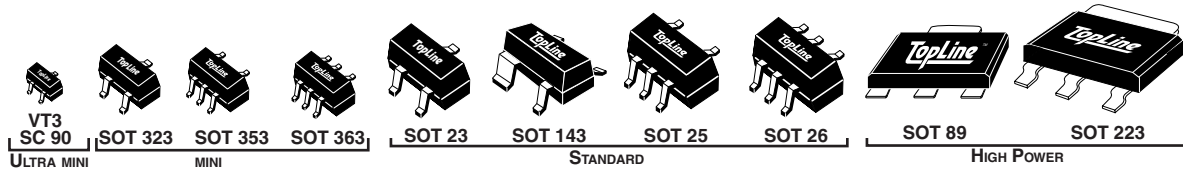
Lead Free Plating: "TIN" = Sn100

Pack: "B" = Bulk (unspecified pack), "X" = mini Pack Bags

Plastic Tape: E4A = 4" Mini Reel (special), E7A = 7" Reel, E13A = 13" Reels

On Tape (No Reel) "E" = Plastic Tape

## SOT Transistor



SOT

**DISCRETE DEVICE**

SOT=Small Outline Transistor  
SC = Japan Series

23

**BODY CODE**

Refer to drawings  
for outline dimensions

E

**PACKAGING**

E = Plastic Tape  
B = Bulk Bag  
X = Small Qty. Pack

7

**REEL SIZE**

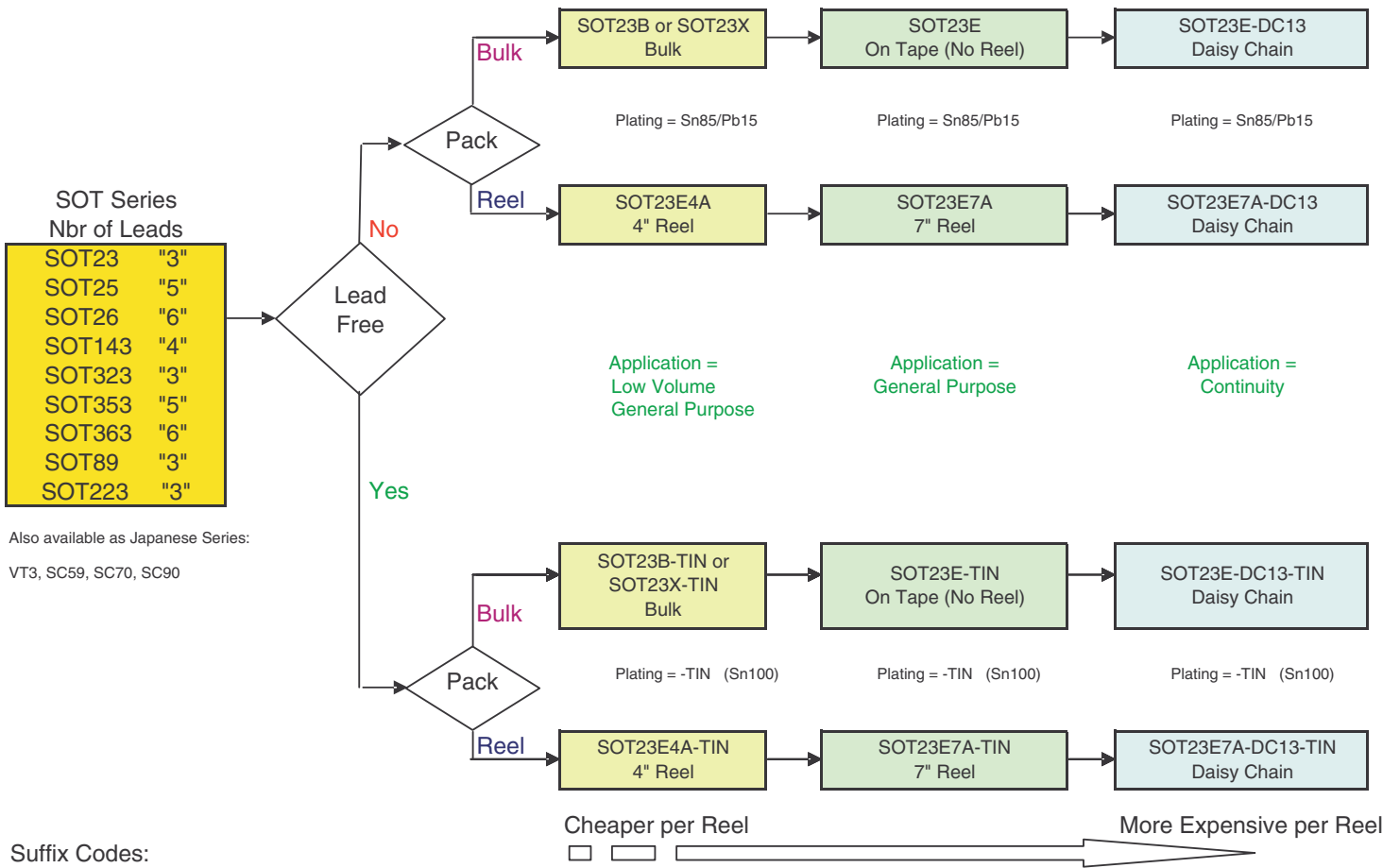
4 = 4" (100mm)  
7 = 7" (180mm)  
13 = 13" (330mm)

A

**REEL MATERIAL**

A = Plastic

## Substituting "SOT Series"



Suffix Codes:

Lead Free Plating: "TIN" = Sn100

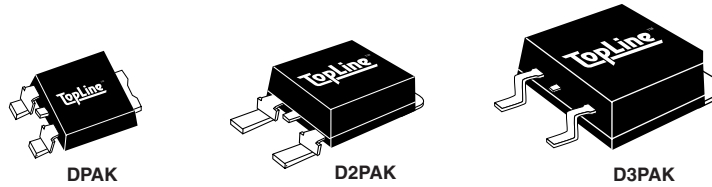
Pack: "B" = Bulk (unspecified pack), "X" = mini Pack Bags

Plastic Tape: E4A = 4" Mini Reel (special), E7A = 7" Reel, E13A = 13" Reels

"E" = On Plastic Tape. No Reel

Daisy Chain: DC13, DC23, etc. See drawing for details

## DPAK Power Transistor



### D2PAK

**DISCRETE DEVICE**  
 DPAK (small)  
 D2PAK (medium)  
 D3PAK (large)  
 SC = Japan Series

5

**NUMBER OF LEADS**

E

**PACKAGING**

E = Plastic Tape  
 B = Bulk Bag  
 X = Small Qty. Pack

13

**REEL SIZE**

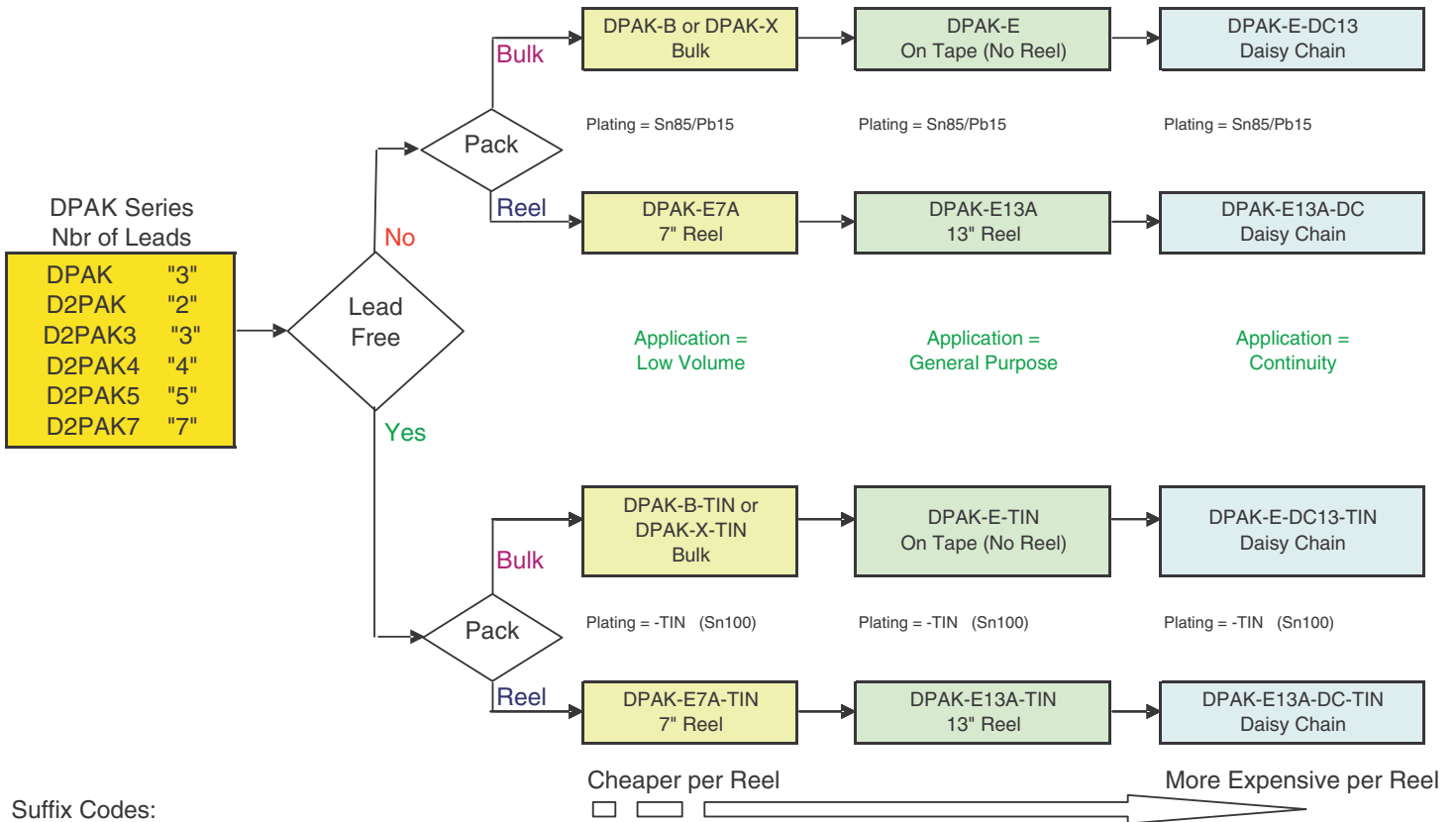
4 = 4" (100mm)  
 7 = 7" (180mm)  
 13 = 13" (330mm)

**REEL MATERIAL**

A = Plastic

A

## Substituting "DPAK" Series



Suffix Codes:

Lead Free Plating: "TIN" = Sn100

Pack: "B" = Bulk (unspecified pack), "X" = mini Pack Bags

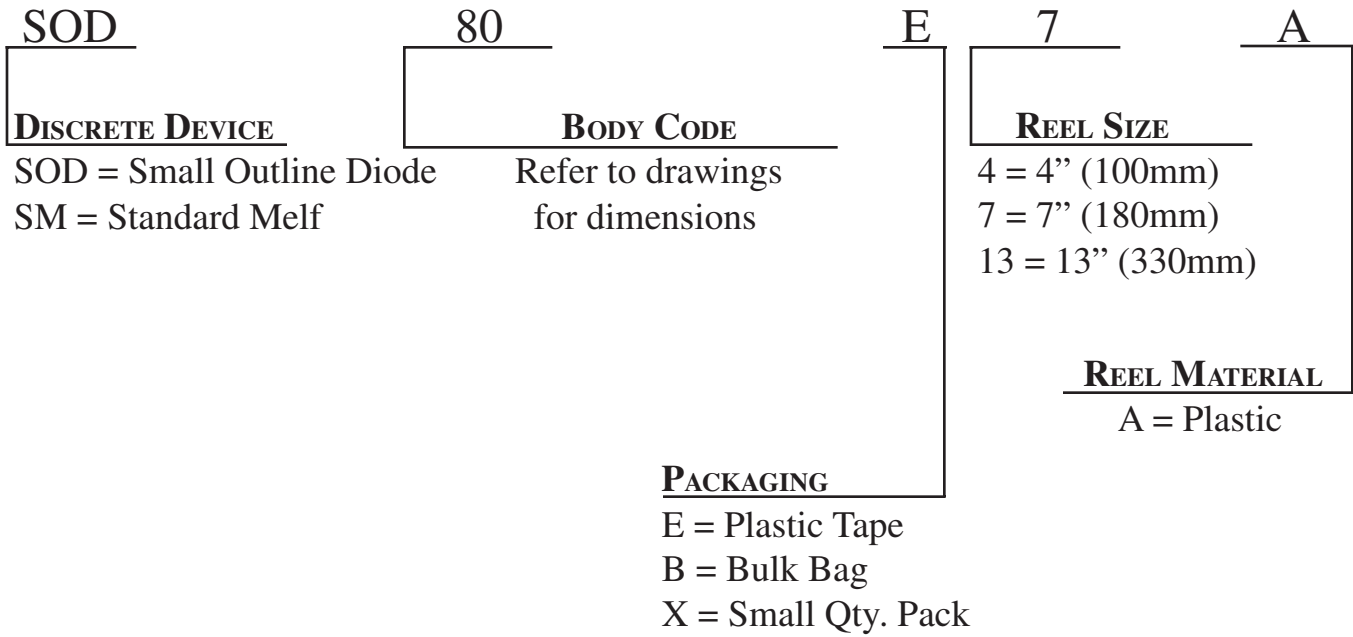
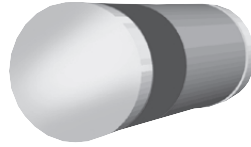
Plastic Tape: E4A = 4" Mini Reel (special), E7A = 7" Reel (Special), E13A = 13" Reels

"E" = On Plastic Tape. No Reel

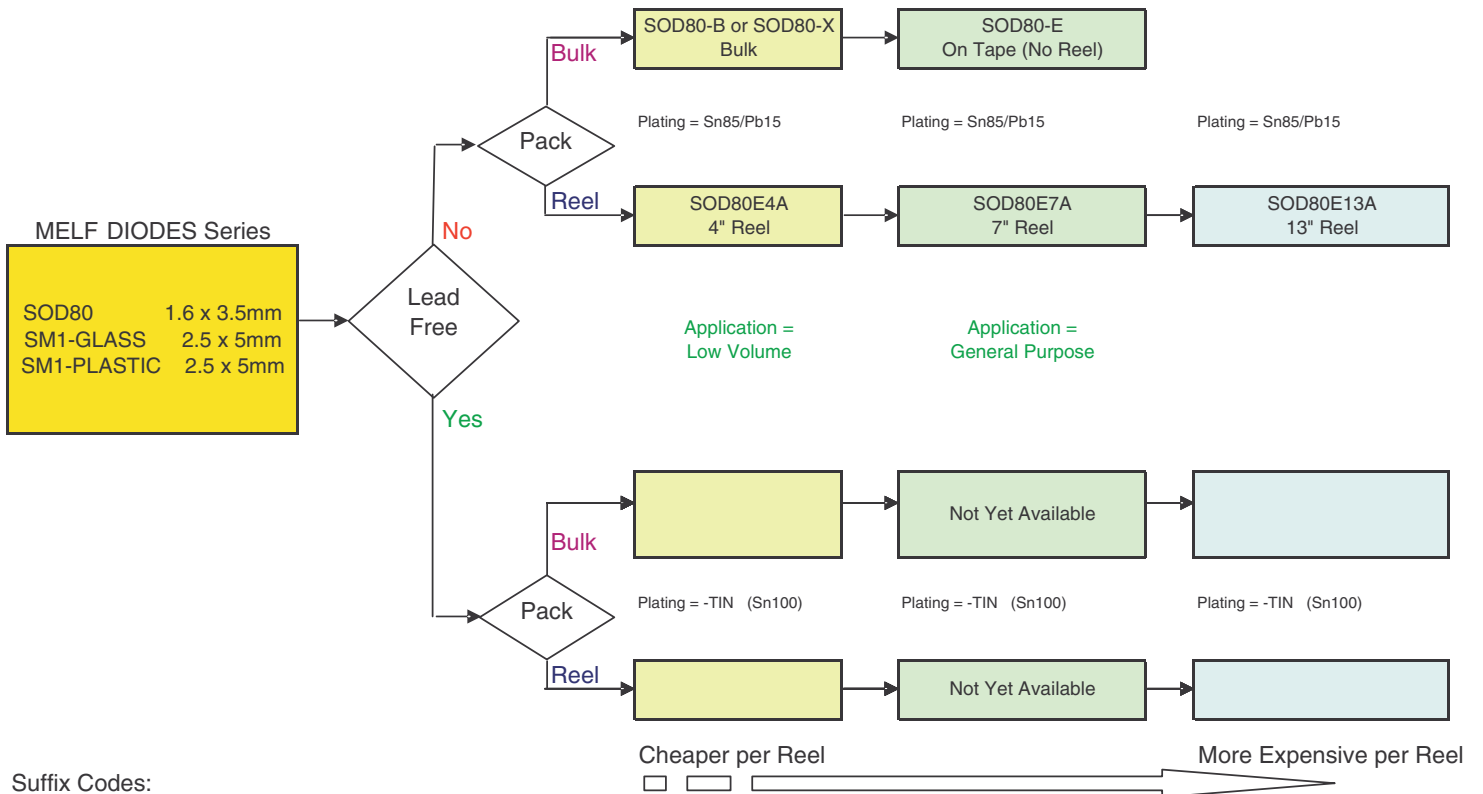
DC = Daisy Chain: See drawing for details



**MELF Diode**



## Substituting "MELF" Diodes



**Suffix Codes:**

Lead Free Plating: "TIN" = Sn100

Pack: "B" = Bulk (unspecified pack), "X" = mini Pack Bags

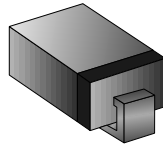
Plastic Tape: E4A = 4" Mini Reel (special), E7A = 7" Reel, E13A = 13" Reels

"E" = On Plastic Tape. No Reel

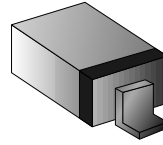
Note: SM1-GLASS = Glass Body SM1-PLASTIC = Epoxy Molded Body

Normally, Glass or Plastic bodies can be substituted for one another.

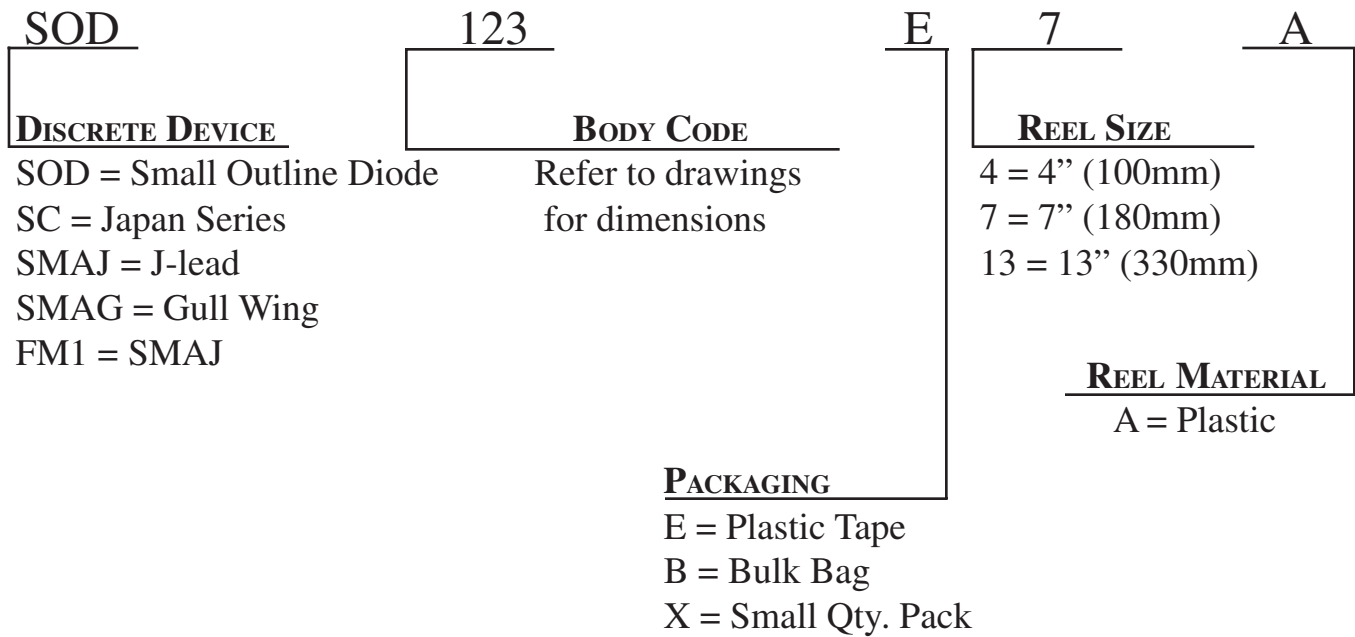
## Rectangular Diode (Rectifier)



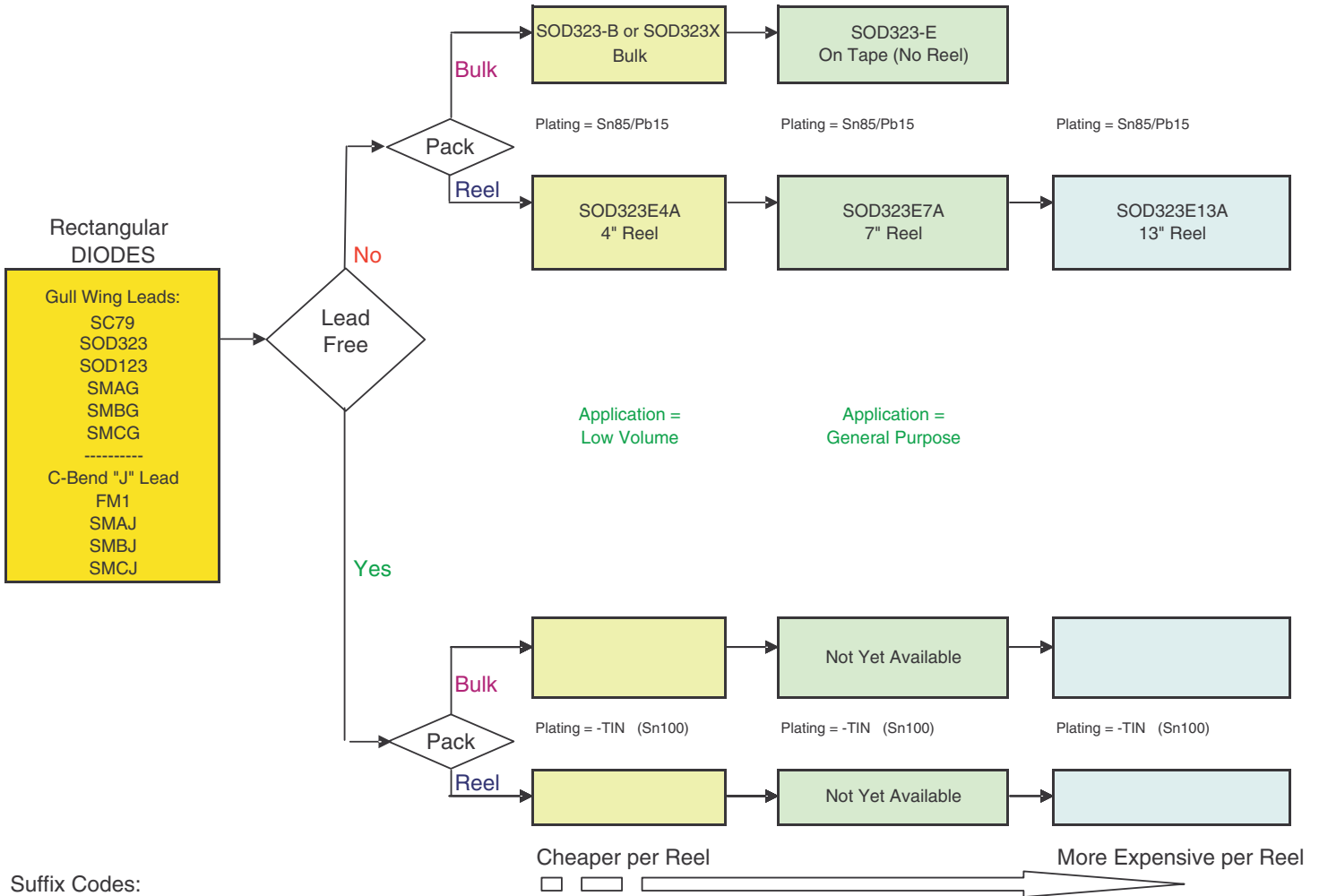
**C-BEND  
LEAD**



**GULL-WING  
LEAD**



## Substituting "Rectangular" Diodes



Suffix Codes:

"E" = On Plastic Tape. No Reel

Pack: "B" = Bulk (unspecified pack), "X" = mini Pack Bags

Plastic Tape: E4A = 4" Mini Reel (special), E7A = 7" Reel, E13A = 13" Reels



## Part Numbering System

TopLine Corporation  
7331A Garden Grove Blvd  
Garden Grove, Ca 92841 USA  
Toll Free USA/Canada (800) 776-9888  
Telephone: 1-714-898-3830  
Fax 1-714-891-0321  
Email [sales@topline.tv](mailto:sales@topline.tv)  
[www.topline.tv](http://www.topline.tv)

TopLine stocks a full range of standard and Lead Free dummy components and practice boards for SMT assembly practice and experimentation including Daisy Chain Test Vehicles.

Click here to download a full TopLine Dummy Components Catalog  
<http://www.topline.tv/completecatalog.pdf>

TopLine also offers ESD static control products for the production floor.  
[http://www.esd.tv/TopLine\\_ESD\\_catalog.pdf](http://www.esd.tv/TopLine_ESD_catalog.pdf)