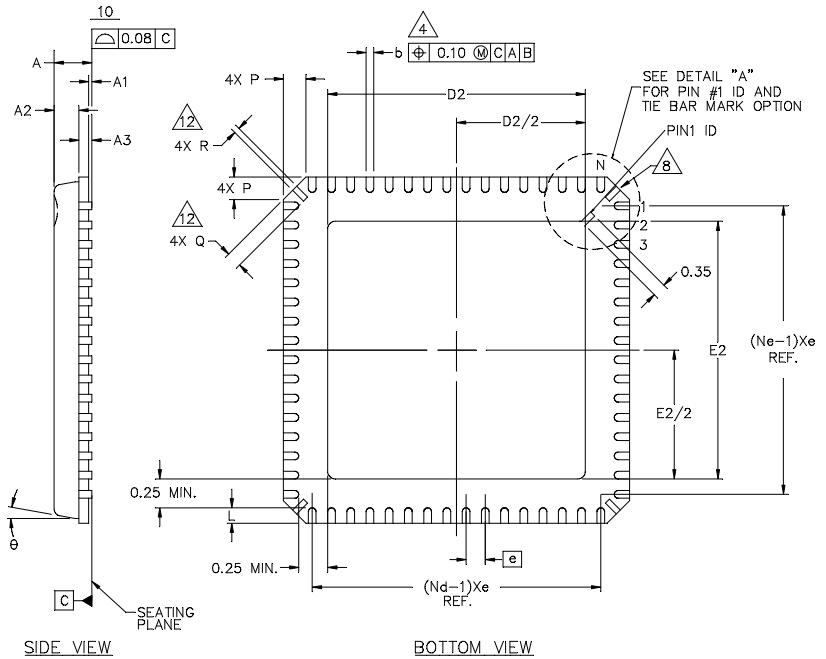
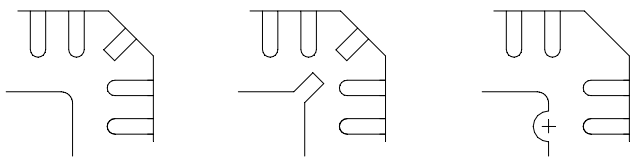


TOP VIEW



SIDE VIEW

BOTTOM VIEW



DETAIL "A" - PIN #1 ID AND TIE BAR MARK OPTION

SYMBOL	PITCH VARIATION A			NOTE	SYMBOL	PITCH VARIATION B			NOTE	SYMBOL	PITCH VARIATION C			NOTE	SYMBOL	PITCH VARIATION D			NOTE
	MIN.	NOM.	MAX.			MIN.	NOM.	MAX.			MIN.	NOM.	MAX.			MIN.	NOM.	MAX.	
ⓐ	0.80 BSC				ⓐ	0.65 BSC				ⓐ	0.50 BSC				ⓐ	0.50 BSC			
N	36			3	N	44			3	N	60			3	N	64			3
Nd	9			3	Nd	11			3	Nd	15			3	Nd	16			3
Ne	9			3	Ne	11			3	Ne	15			3	Ne	16			3
L	0.50	0.60	0.75		L	0.50	0.60	0.75		L	0.50	0.60	0.75		L	0.30	0.40	0.50	
b	0.28	0.33	0.40	4	b	0.23	0.28	0.35	4	b	0.18	0.23	0.30	4	b	0.18	0.23	0.30	4
Q	0.30	0.40	0.65	12	Q	0.30	0.40	0.65	12	Q	0.30	0.40	0.65	12	Q	0.00	0.20	0.45	12
D2	SEE EXPOSED PAD VARIATION: E				D2	SEE EXPOSED PAD VARIATION: B,C,D				D2	SEE EXPOSED PAD VARIATION: E				D2	SEE EXPOSED PAD VARIATION: A, E			
E2	SEE EXPOSED PAD VARIATION: E				E2	SEE EXPOSED PAD VARIATION: B,C,D				E2	SEE EXPOSED PAD VARIATION: E				E2	SEE EXPOSED PAD VARIATION: A, E			
D2	SEE EXPOSED PAD VARIATION *			*	D2	SEE EXPOSED PAD VARIATION *			*	D2	SEE EXPOSED PAD VARIATION *			*	D2	SEE EXPOSED PAD VARIATION: F			
E2	SEE EXPOSED PAD VARIATION *			*	E2	SEE EXPOSED PAD VARIATION *			*	E2	SEE EXPOSED PAD VARIATION *			*	E2	SEE EXPOSED PAD VARIATION: F			
D3	SEE MIXED RING PAD VARIATION *			*	D3	SEE MIXED RING PAD VARIATION *			*	D3	SEE MIXED RING PAD VARIATION *			*	D3	SEE MIXED RING PAD VARIATION: A			
E3	SEE MIXED RING PAD VARIATION *			*	E3	SEE MIXED RING PAD VARIATION *			*	E3	SEE MIXED RING PAD VARIATION *			*	E3	SEE MIXED RING PAD VARIATION: A			

* NOT DESIGNED YET
 ** DESIGNED BUT NOT TOOLED UP
 *** APPLIES TO MIXED RING PAD DESIGN ONLY

STANDARD>

SYMBOLS		D2			E2			NOTE
		MIN	NOM	MAX	MIN	NOM	MAX	
EXPOSED PAD VARIATIONS	A	4.55	4.70	4.85	4.55	4.70	4.85	
	B	5.15	5.30	5.45	5.15	5.30	5.45	
	C	6.35	6.50	6.65	6.35	6.50	6.65	
	D	6.55	6.70	6.85	6.55	6.70	6.85	
	E	6.95	7.10	7.25	6.95	7.10	7.25	

EXAMPLE; WE CAN CALL VARIATION "BB" FOR 44 TERMINAL MLF2 WITH 5.30 mm X 5.30 mm NOMINAL EXPOSED PAD DIMENSION. THE FORMER ONE IN VARIATION IS FOR PITCH VARIATION AND THE LETTER ONE IS FOR EXPOSED PAD VARIATION.

MIXED RING>

SYMBOLS		D2			E2		
		MIN	NOM	MAX	MIN	NOM	MAX
EXPOSED PAD VARIATIONS	F	5.85	6.00	6.15	5.85	6.00	6.15
SYMBOLS		D3			E3		
		MIN	NOM	MAX	MIN	NOM	MAX
MIXED RING PAD VARIATIONS	A	7.15	7.30	7.45	7.15	7.30	7.45

EXAMPLE ; WE CAN CALL VARIATION "DFA" FOR 64 TERMINAL MLF2 WITH 6.00 mm X 6.00 mm NOMINAL EXPOSED PAD DIMENSION, AND WITH 7.30 mm X 7.30 mm NOMINAL EXPOSED MIXED RING PAD DIMENSION. THE FORMER ONE IN VARIATION IS FOR PITCH VARIATION AND THE LATER ONES ARE FOR EXPOSED PAD AND MIXED RING PAD VARIATION.

SYMBOL	COMMON DIMENSIONS			NOTE
	MIN.	NOM.	MAX.	
A	-	0.85	0.90	
A1	0.00	0.01	0.05	11
A2	-	0.65	0.70	
A3	0.20 REF.			
D	9.00 BSC			
D1	8.75 BSC			
E	9.00 BSC			
E1	8.75 BSC			
θ			12°	
P	0.24	0.42	0.60	
R	0.13	0.17	0.23	12
K	0.20	0.30	0.40	
S	0.50	0.60	0.65	
J	0.60	1.00	1.50	