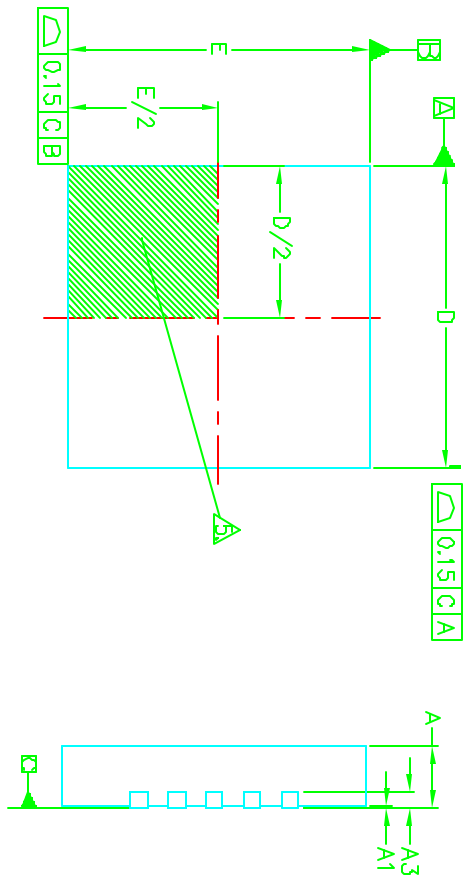


N	MIN.	b	0.18	NOM.	0.23	MAX.	0.28	D2	MIN.	2.50	NOM.	2.55	MAX.	2.60	E2	MIN.	2.50	NOM.	2.55	MAX.	2.60	e	MIN.	0.500	BSC.	D.45	NOM.	0.55	MAX.	0.65	JEDEC	MO-220VGGD-1

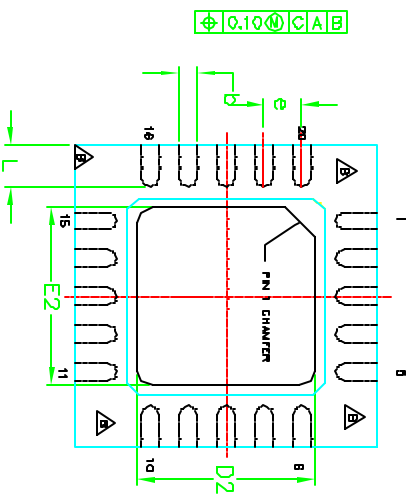
REV	DATE	DESCRIPTION
01 - 148	07 MAY 01	NEW DRAWING
02 - 126	23 MAY 02	CHANGE FROM 4 TERMINAL TO 8 TERMINALS TO ALLOW FOR THE USE OF THE BULK ORDER NUMBER 15:1



SYMBOL	DIMENSION IN MM			DIMENSION IN INCH		
	MIN.	NOM.	MAX.	MIN.	NOM.	MAX.
A	0.80	0.85	0.95	0.031	0.033	0.037
A1	0.00	0.02	0.05	0.00075	0.0008	0.002
A3		0.20 REF.		0.008 REF.		
D	3.85	4.00	4.15	0.152	0.157	0.163
E	3.85	4.00	4.15	0.152	0.157	0.163



- NOTES:
1. CONTROLLING DIMENSIONS IN MM.
  2. DIMENSION TOLERANCES ARE ±0.1 (ANGULAR TOLERANCE ±3°) UNLESS OTHERWISE SPECIFIED.
  3. ALL DIMENSIONS AND TOLERANCES CONFORM TO ANSI Y14.5M-1994.
  4. COPLANARITY APPLIES TO EXPOSED PAD AS WELL AS THE TERMINALS.
  5. PIN 1 LOCATION MAYBE IDENTIFIED BY EITHER A MOLD OR MARKED FEATURE.
  6. JEDEC REFERENCE MO-220.



**METRIC**

DO NOT SCALE DRAWING

ACAD FILENAME: **0400 - 0400-001**

DRAFTSMAN	DATE
CHECKER: ERNE	25 JUNE 2001
APPROVER: ERNE	25 JUNE 2001
APPROVED:	DATE

TITLE:	REV.	SCALE:
MARKETING OUTLINE DRAWING	B	15:1
4 x 4 SQ, 20L QFN		
DRAWING NO: DRWD - QFN Q4D4 - 002		
PAGE: 1/1		