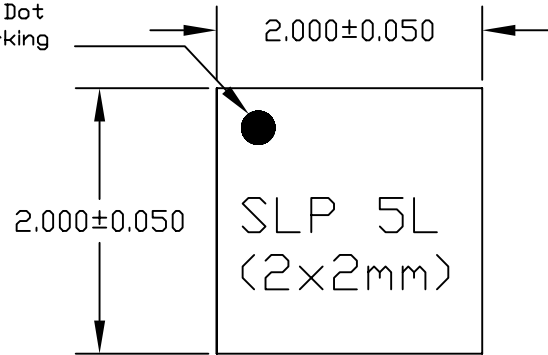
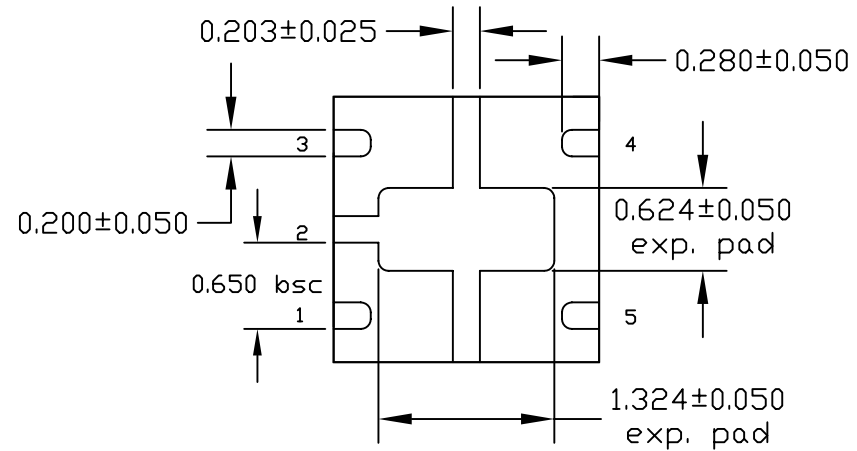


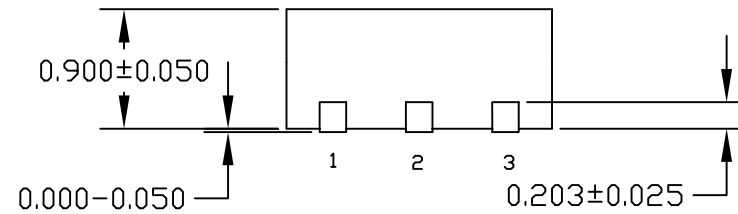
Pin 1 Dot
By Marking



Top View



Btm View



Side View

DESIGNED: ANDREW LOW	DATE: 12/12/2001	
APPD: KEVIN KHOO		
APPD: YF LEE	DATE:	
APPD: ANDREW TAN	DATE:	
APPD: CH TAN	DATE:	
APPD: WH LAI	DATE:	
DWG. NO: SLP3X3-5L-POT-001	REV.: 1	

LAYA 9.

2x2mm SLP-5L

SHEET NO : 1

TOLERANCES
DECIMAL:-
X.XX ± 0.050
X.XXX ± 0.025
ANGULAR:-
± 5°
UNLESS OTHERWISE SPECIFIED.

UNIT: MM
SCALE: NTS
SYMBOL

REV.	DESCRIPTION	DATE	BY	APPD