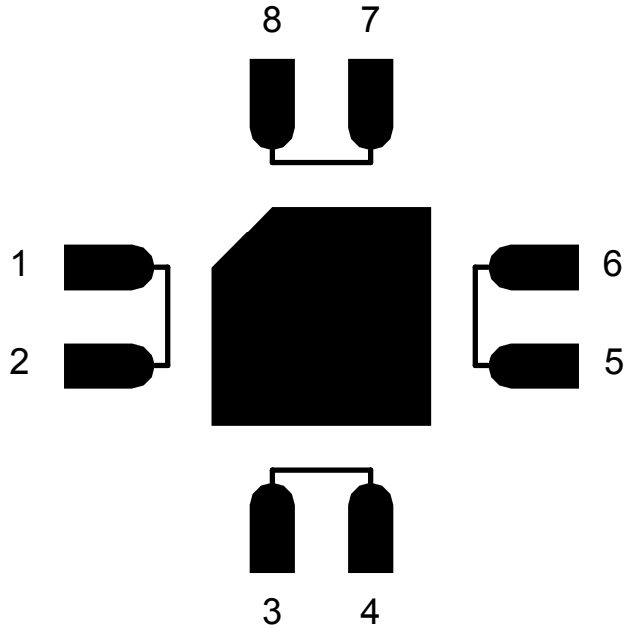
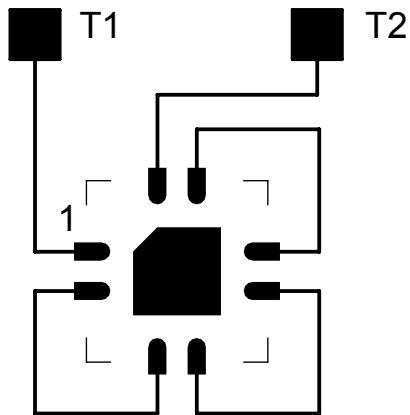


8L QFN DAISY CHAIN TOP VIEW

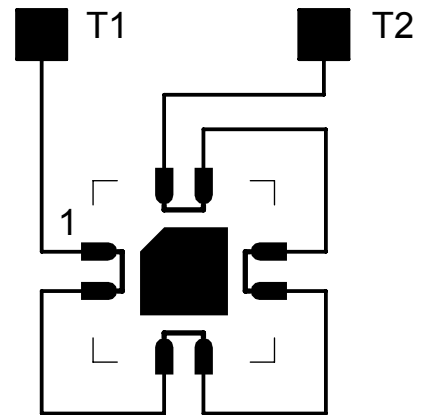
QFN DAISY CHAIN INTERNAL CONNECTIONS



DAISY CHAIN NET LIST	
PINS	PINS
1 ~ 2	3 ~ 4
5 ~ 6	7 ~ 8




RECOMMENDED
PCB PADS



AFTER MOUNTING
ON PCB

NOTES:

1. DAISY CHAIN WIRE BONDED TO INTERNAL PADS.
2. SEE NET LIST FOR CONNECTIONS BETWEEN PINS.
3. DRAWING NOT TO SCALE.

			
TITLE			
8L QFN - DAISY CHAIN PIN CONNECTIONS			
SCALE	SIZE	DRAWING NO.	REV
	A	120817	A
DO NOT SCALE DRAWING			SHEET 1 OF 1