

Part # **QSOP24M25**

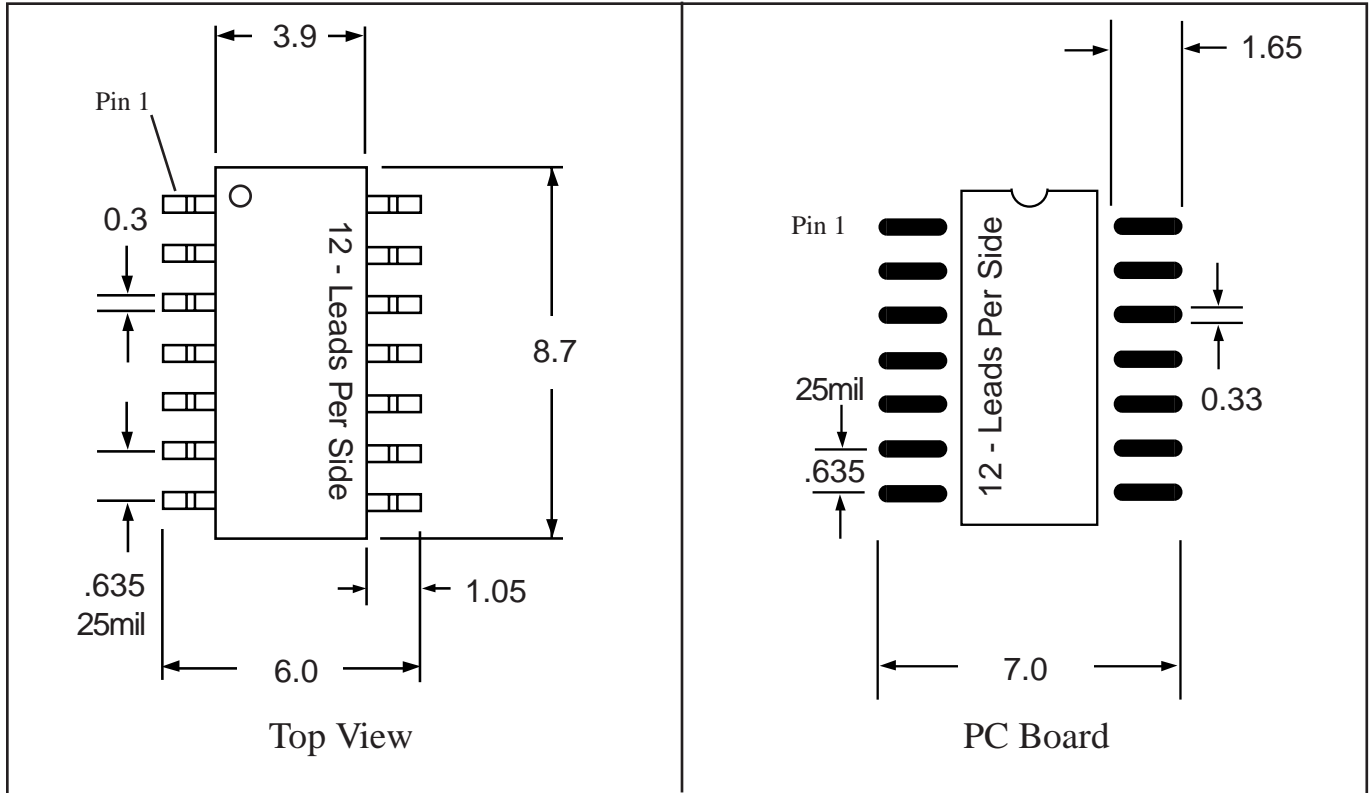
Leads **24** Pitch **25.0mil (0.635mm)**

Body Size (Width) **150mil (3.9mm)**

TopLineTM

Tel 1-714-898-3830

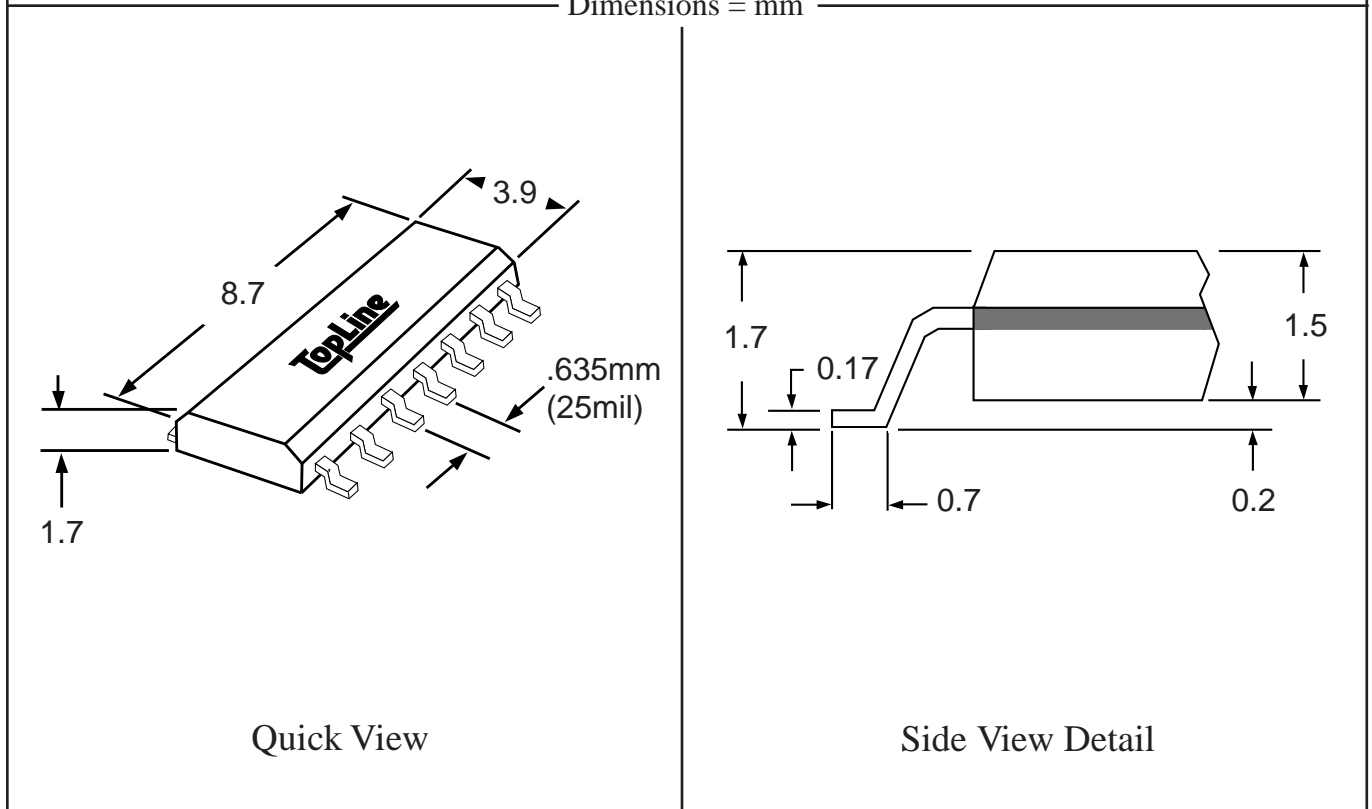
info@topline.tv



Top View

PC Board

Dimensions = mm



Quick View

Side View Detail