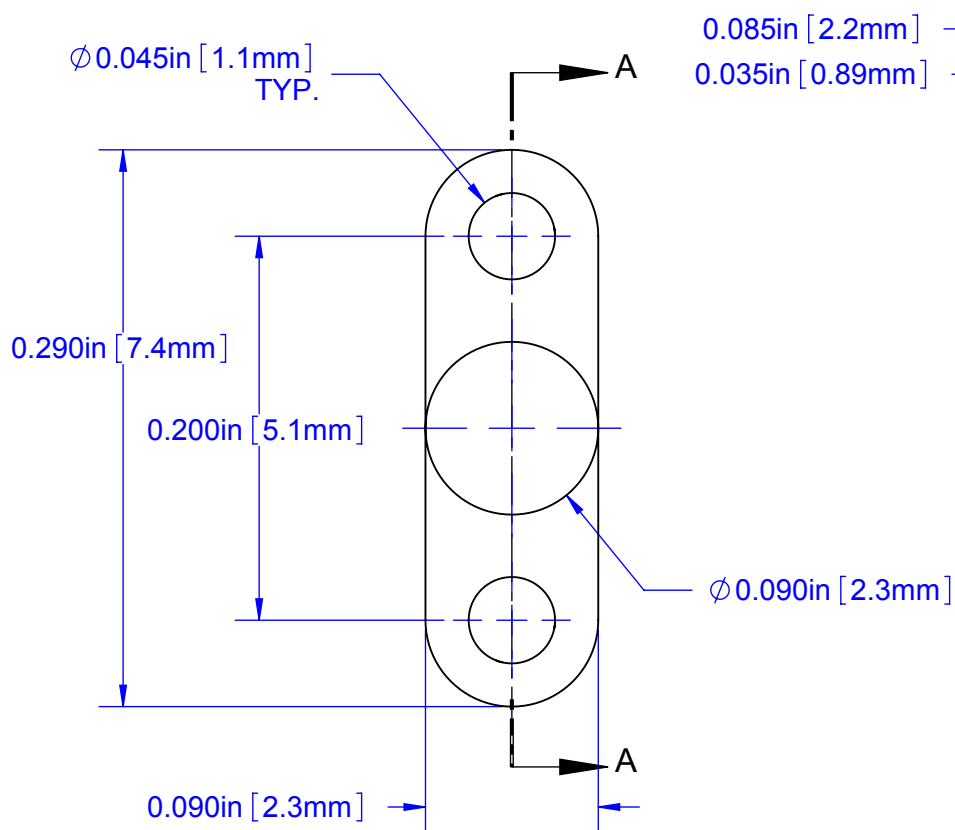
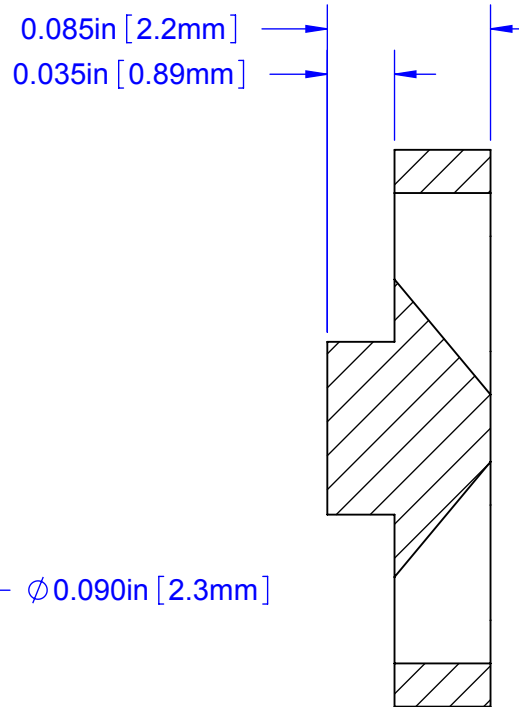


TOP VIEW

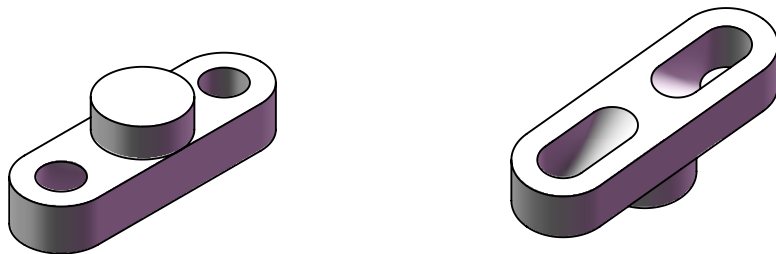
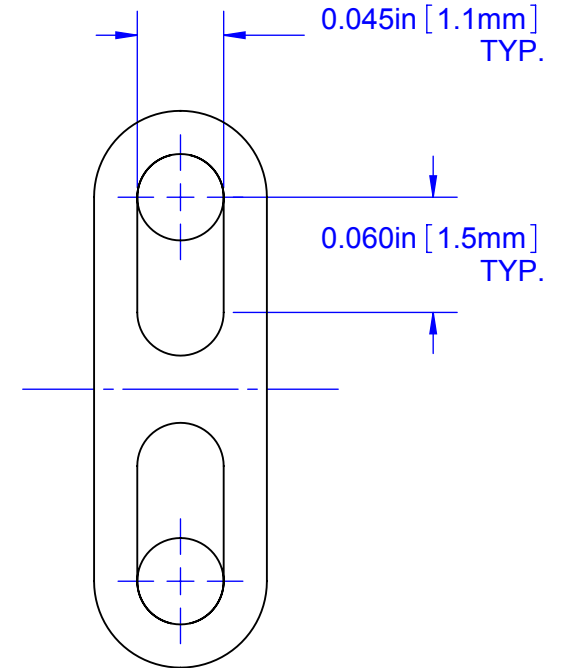


SIDE VIEW



SECTION A-A

BOTTOM VIEW



MODEL

MATERIAL: NYLON 6/6, 94V-2, NATURAL

APPROVALS	DATE	TopLine®			
DRAWN T.Au	07/26/13				
ENG M. Hart	07/26/13	TITLE CK06 STANDOFF			
MFG		SCALE	SIZE	DRAWING NO.	REV
QA		10:1	A	330-085	A
CUST		DO NOT SCALE DRAWING			SHEET 1 OF 1
REVISED					