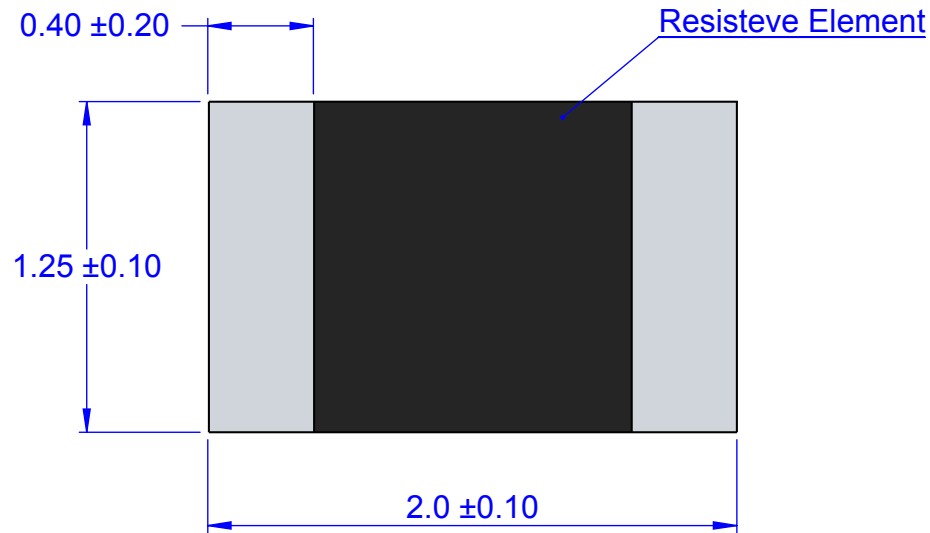
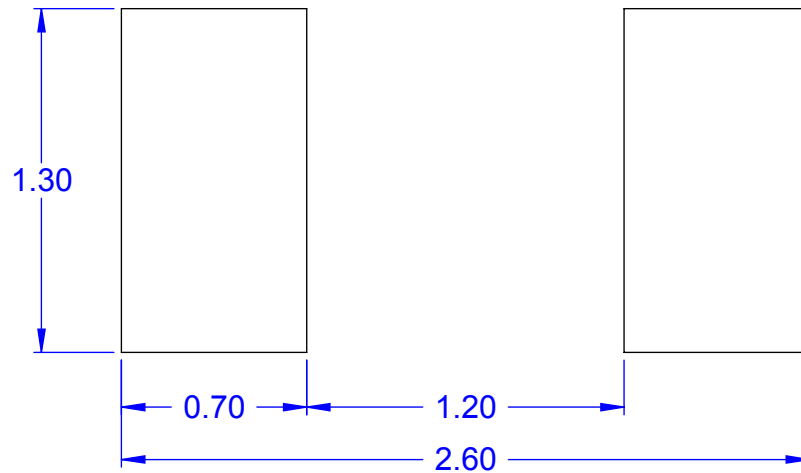


## TOP VIEW

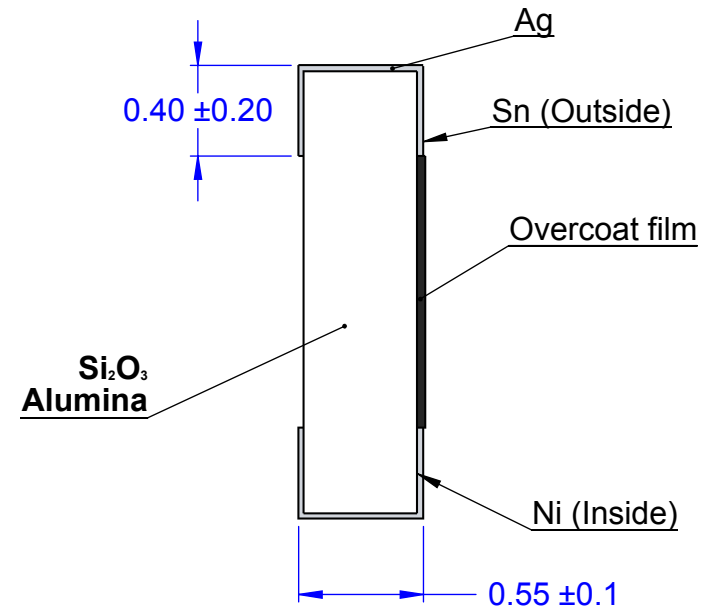


## RECOMMENDED PCB PATTERN



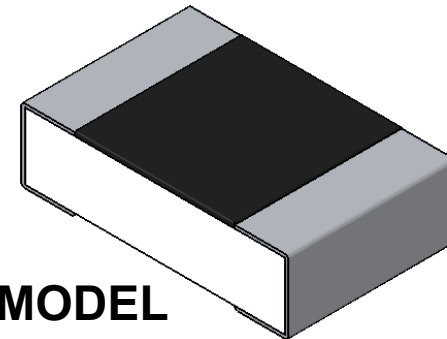
PCB DIMENSIONS ARE PRESENTED ONLY AS A GUIDELINE. DESIGNERS SHOULD USE THEIR OWN KNOWLEDGE BASE WHEN DESIGNING THE PCB.

## STRUCTURE



### NOTES:

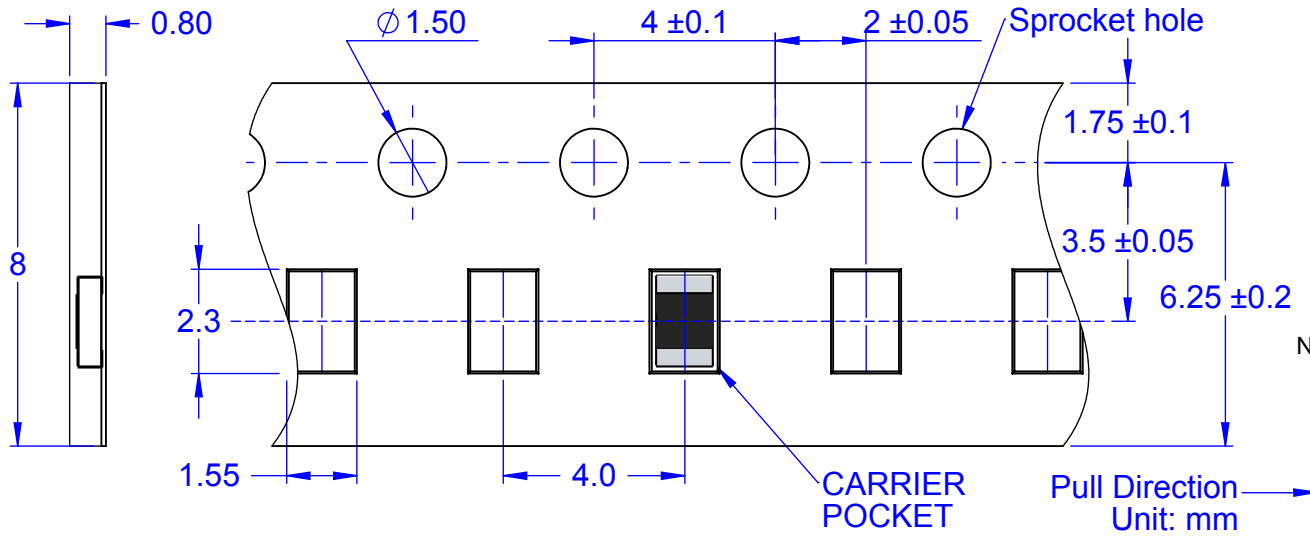
1. DIMENSIONS IN mm.
2. TERMINATION: Tin (Sn).
3. Pb-FREE AND HALOGEN FREE.



## MODEL

APPROVALS	DATE	<b>TopLine®</b>			
DRAWN T. Au	08/03/12				
ENG M. Hart	08/03/12	TITLE SR0705 SMT RESISTOR			
MFG		SCALE	SIZE A	DRAWING NO. 120701	REV A
QA					
CUST		DO NOT SCALE DRAWING			SHEET 1 OF 2
REVISED					

# W8P4 CARRIER TAPE DIMENSION



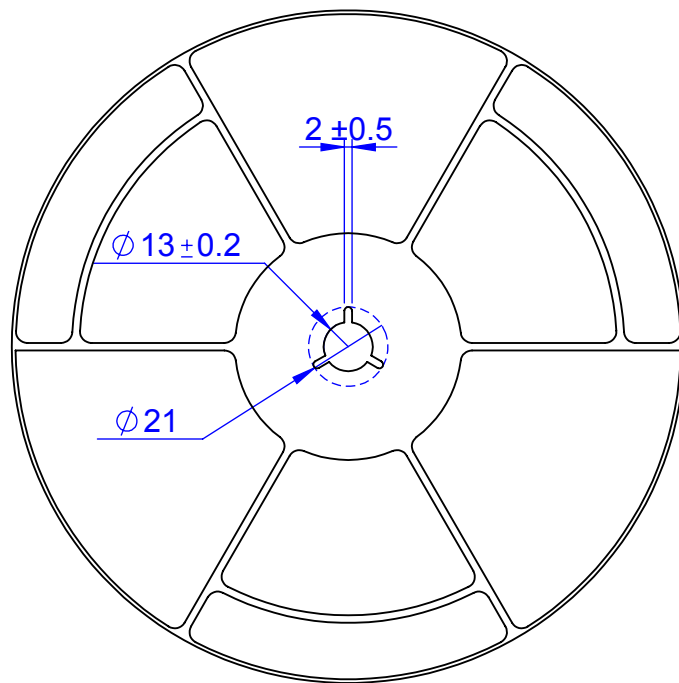
## PART NUMBER SYSTEM

SR 0705 P7A - ZERO - TIN

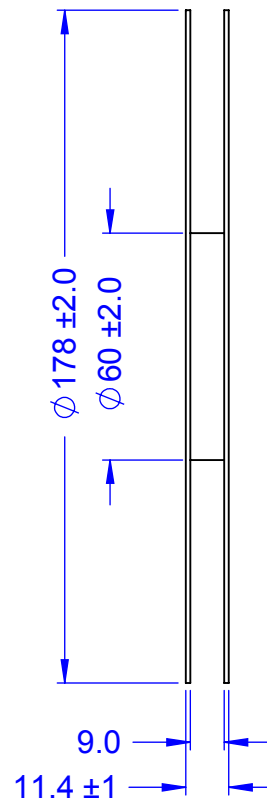
RESISTOR PACK CODE < 50mΩ

SIZE CODE 2.0 x 1.25mm TERMINATION Sn (TIN)

NOTE: For dummy resistor replace ZERO with blank




## REEL DIMENSIONS



## PACK CODE

CODE	QTY	PACKAGE
P7A	5,000	REEL
P4A	1,000	REEL

APPROVALS	DATE				
DRAWN T. Au	08/03/12	TITLE SR0705 SMT RESISTOR			
ENG M. Hart	08/03/12	SCALE		SIZE A	DRAWING NO. 120701
MFG				REV A	
QA					
CUST					
REVISED		DO NOT SCALE DRAWING			SHEET 2 OF 2