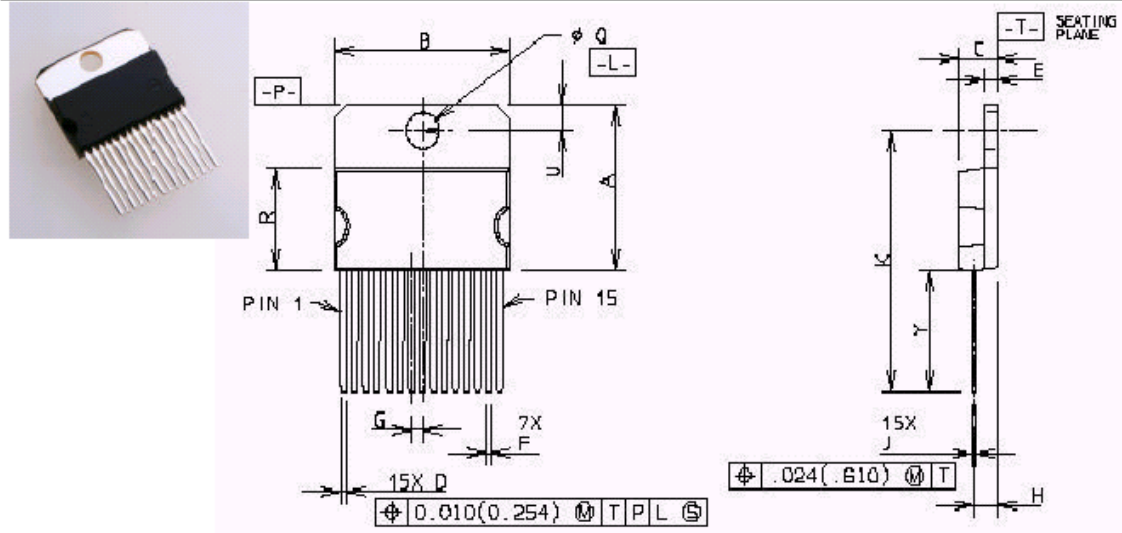




15 LEAD SIP (STRAIGHT) PACKAGE OUTLINE & DIMENSIONS



DIM	MILLIMETERS		INCHES	
	MIN	MAX	MIN	MAX
A	17.298	17.627	0.681	0.694
B	19.914	20.116	0.784	0.792
C	4.395	4.597	0.173	0.181
D	0.610	0.787	0.024	0.031
E	1.473	1.574	0.058	0.062
F	0.407	0.584	0.016	0.023
G	1.270 BSC		0.050 BSC	
H	2.794 BSC		0.110 BSC	
J	0.458	0.609	0.018	0.024
K	27.382	27.584	1.078	1.086
Q	3.760	3.835	0.148	0.151
R	10.567	10.820	0.416	0.426
U	2.794 BSC		0.110 BSC	
Y	12.776 REF		0.503 REF	