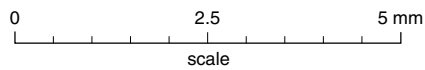
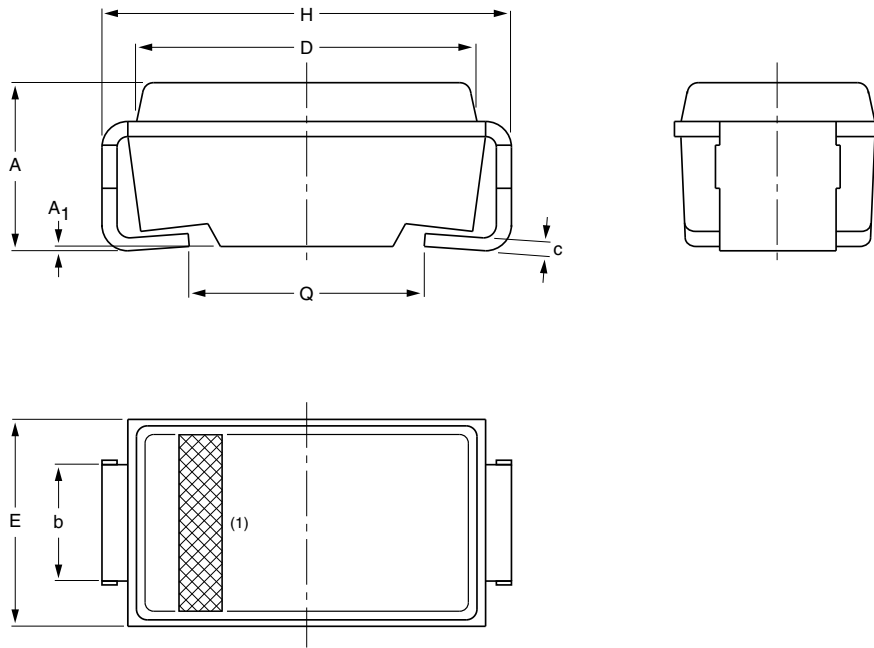


# SOD106 - TopLine



**DIMENSIONS (mm are the original dimensions)**

UNIT	A	A <sub>1</sub>	b	c	D	E	H	Q
mm	2.3	0.05	1.6	0.2	4.5	2.8	5.5	3.3
	2.0		1.4		4.3	2.4	5.1	2.7

**Note**

1. The marking band indicates the cathode.

OUTLINE VERSION	REFERENCES JEDEC
SOD106	DO-214AC