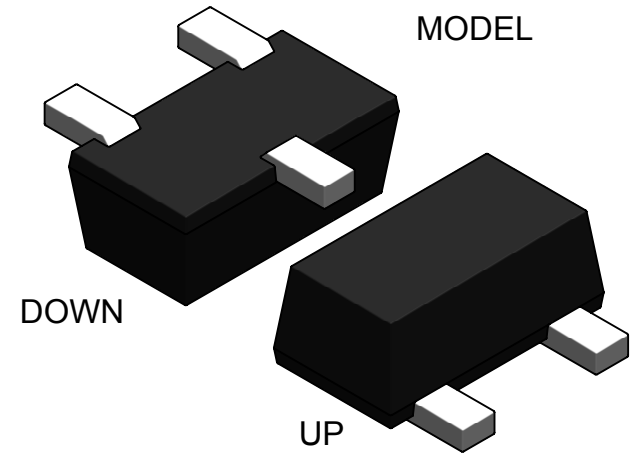
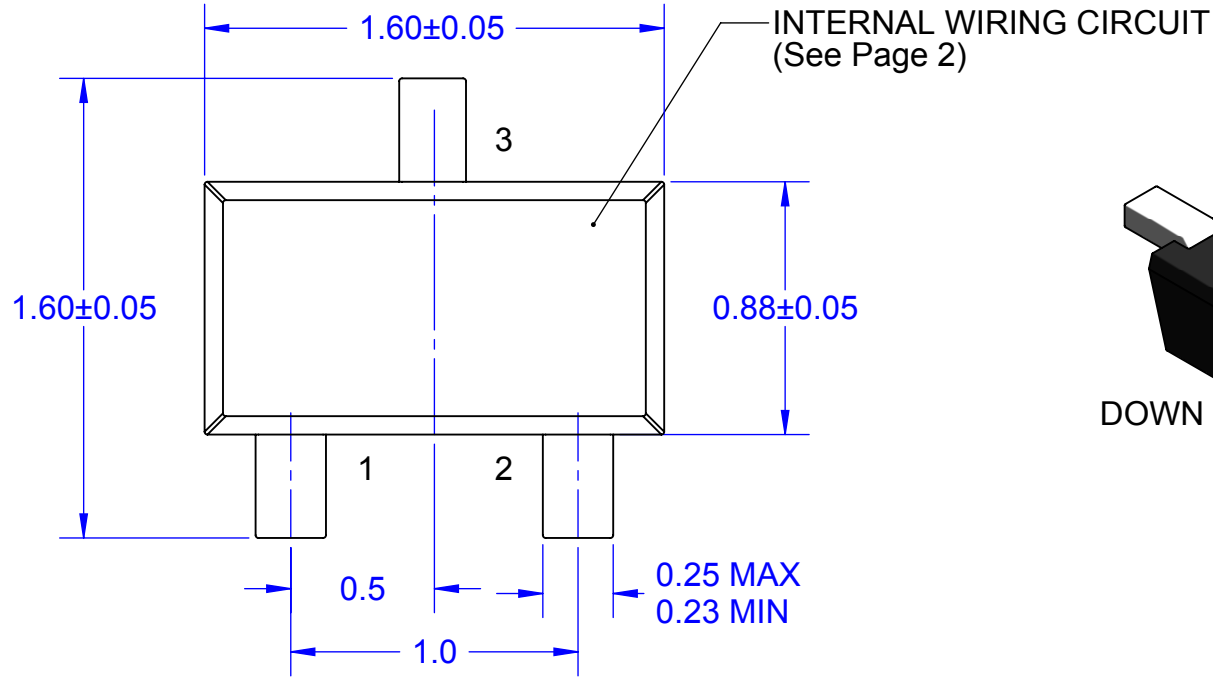
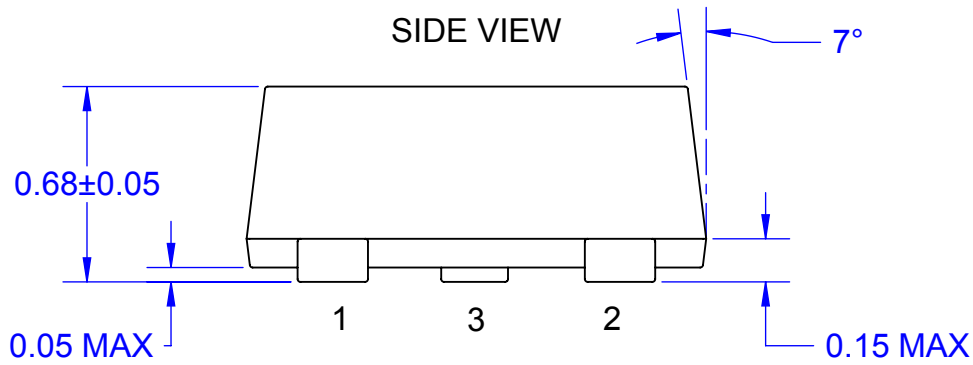


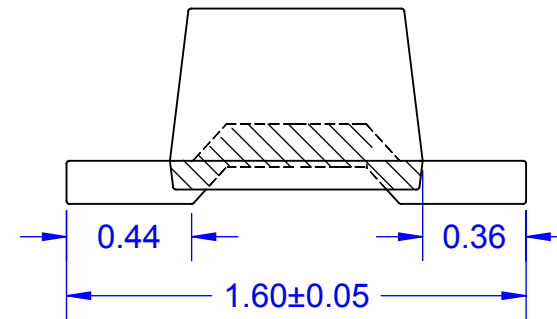
TOP VIEW



SIDE VIEW



END VIEW

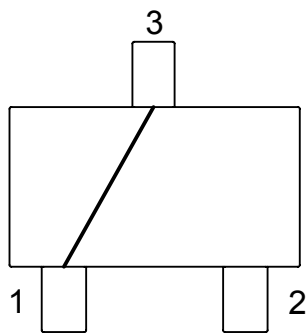


Notes: (Unless Otherwise Specified).

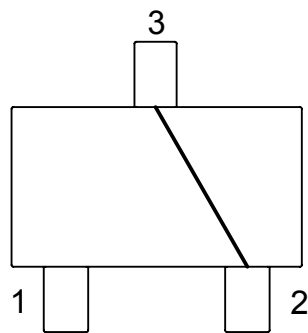
- 1) DIMENSIONS IN mm.
- 2) SEE DAISY CHAIN JUMPER DIAGRAMS (PAGE 2).
- 3) SEE PART NUMBER CONFIGURATION (PAGE 4).
- 4) RECOMMENDED PCB BOARD LAYOUT PATTERN (PAGE 7).

APPROVALS	DATE	TopLine®			
DRAWN T. Au	12/18/12				
ENG M. Hart	12/18/12	TITLE SOT523F JUMPER DAISY CHAIN			
MFG		SCALE 38:1	SIZE A	DRAWING NO. 121523	REV A
CUST		DO NOT SCALE DRAWING			SHEET 1 OF 7
REVISED					

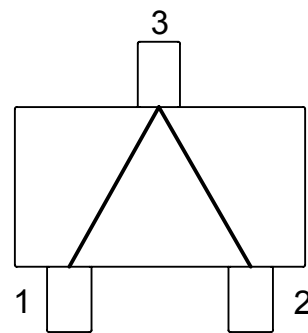
**INTERNAL WIRING CIRCUIT (JUMPER)
DAISY CHAIN PART NUMBER SUFFIX
TOP VIEW**



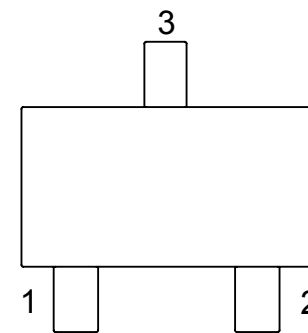
**DC13
1-WIRE**



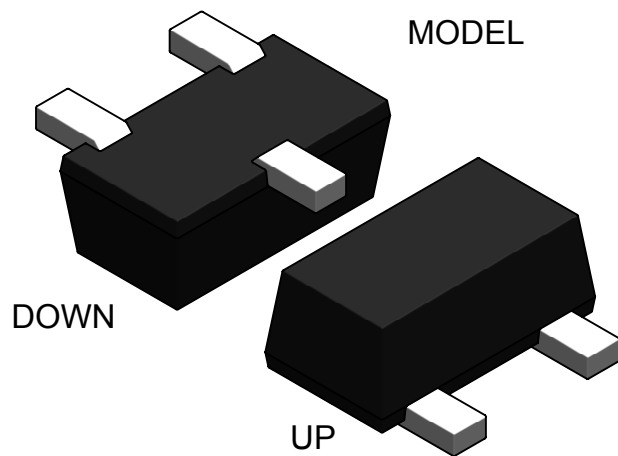
**DC23
1-WIRE**



**DC123
2-WIRE**

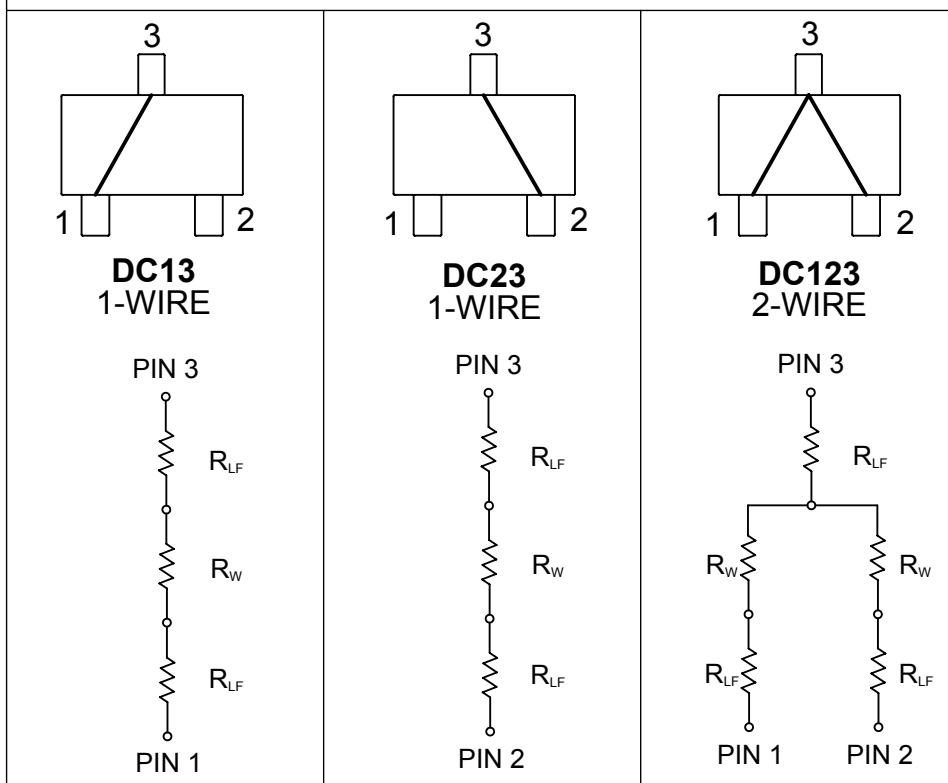


**-ISO
NO WIRES
FULLY ISOLATED**



TopLine®			
TITLE		SOT523F JUMPER DAISY CHAIN	
SCALE	SIZE	DRAWING NO.	REV
24:1	A	121523	A
DO NOT SCALE DRAWING			SHEET 2 OF 7

SCHEMATIC EQUIVALENT INTERNAL CIRCUIT



R_W = GOLD WIRE-BOND.
 R_{LF} = LEAD FRAME.

TEMPERATURE RATING	
JUNCTION TEMP T_J	150 °C
STORAGE TEMP T_{stg}	-65 °C TO 150 °C
OPERATING TEMP	-65 °C TO 150 °C
PEAK REFLOW TEMP T_{reflow} 10 SECONDS	260 °C

MAXIMUM ELECTRICAL (DC) RATING	
WORKING VOLTAGE	75 V
CURRENT RATING	200 mA
POWER @ 25 °C	260 mW

THERMAL RESISTANCE	
JUNCTION TO AMBIENT ($T_a=25^\circ$) $R_{th(j-a)}$	490 °C/W

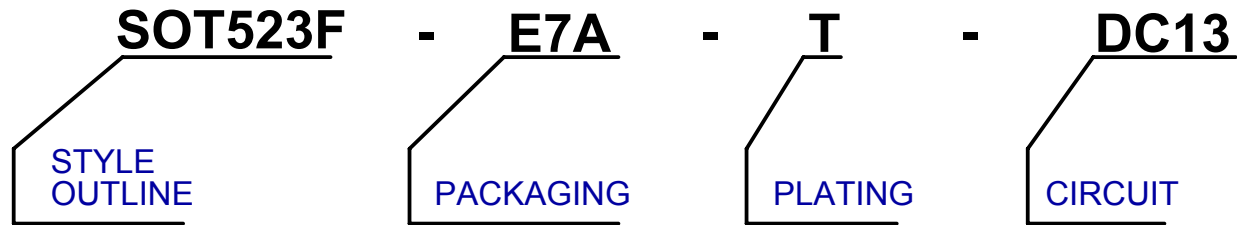
ELECTRICAL RESISTANCE MILIOHM (DC) MAX

CIRCUIT	PIN 1 TO 3	PIN 2 TO 3	PIN 1 TO 2
DC13	50 mΩ	--	--
DC23	--	50 mΩ	--
DC123	50 mΩ	50 mΩ	75 mΩ

TopLine®

TITLE		SOT523F JUMPER DAISY CHAIN	
SCALE	SIZE	DRAWING NO.	REV
15:1	A	121523	A
DO NOT SCALE DRAWING			SHEET 3 OF 7

PART NUMBERING SYSTEM



3 - TERMINAL
FLAT LEAD
PACKAGE

E7A =
REEL 3000 pcs

E4A =
REEL 500 pcs

T =
Pb-FREE
RoHS
LEAD FREE

Sn100
MATTE TIN

DAISY CHAIN JUMPER

DC13 PIN 1-3

DC23 PIN 2-3

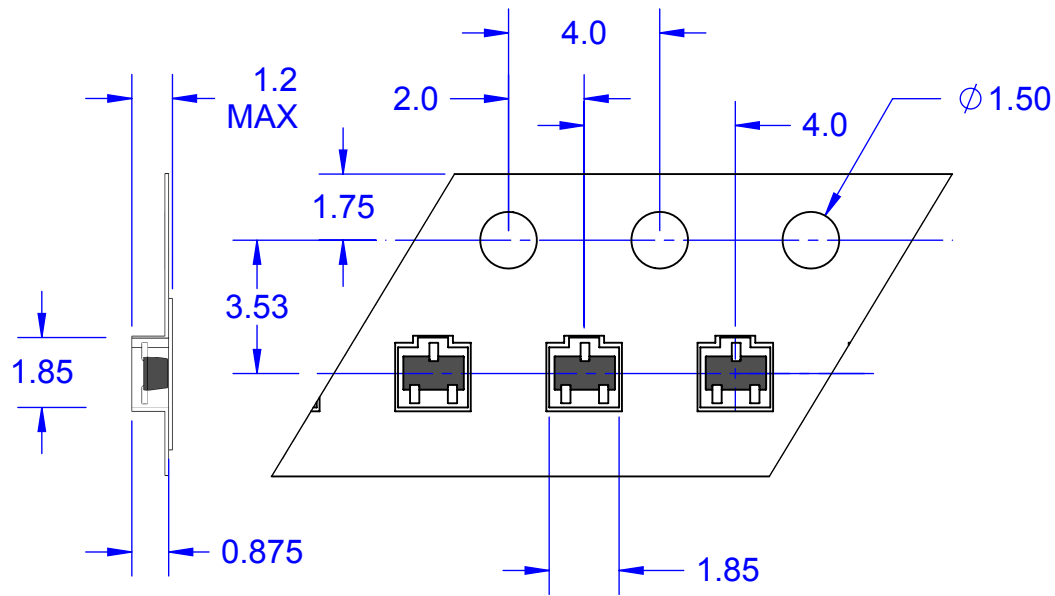
DC123 PIN 1-2-3

ISO = ISOLATED CIRCUIT
NO CONNECTIONS

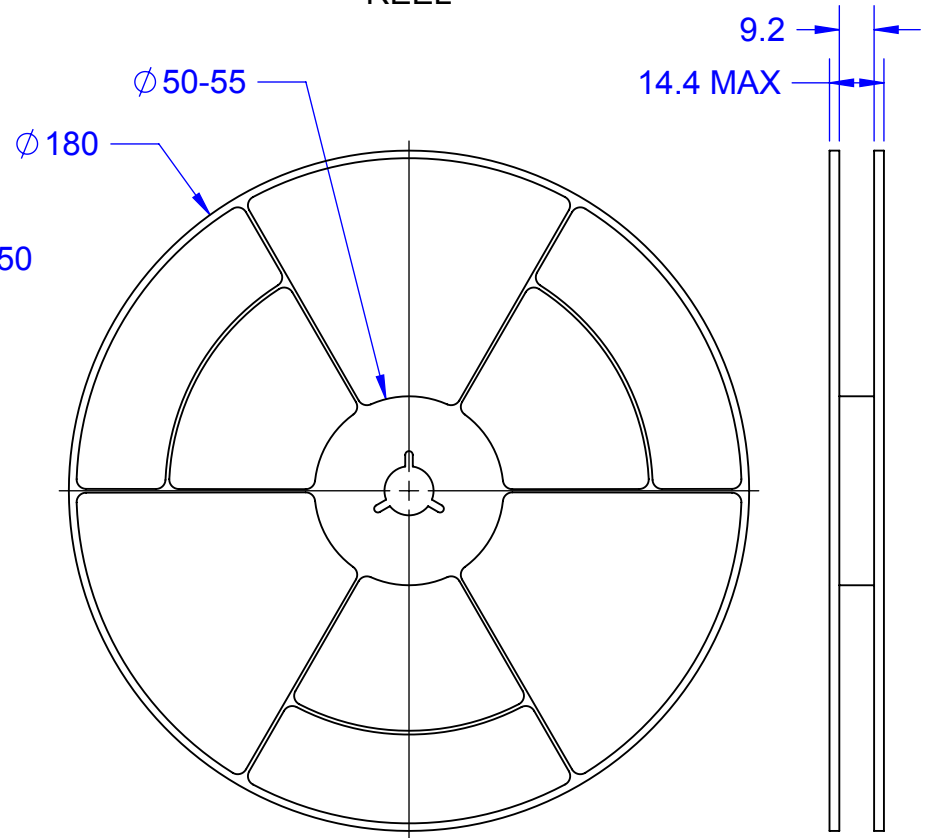
PART NUMBER	SHORTED PINS	NOTES	RoHS Pb-FREE	MSL LEVEL	HALOGEN FREE	GRADE	TOP MARK
SOT523F-E7A-TIN	N/A	DUMMY	YES	1	YES	COMMERCIAL	N/A
SOT523F-E7A-T-ISO	NONE	FULLY ISOLATED	YES	1	YES	COMMERCIAL	ISO
SOT523F-E7A-T-DC13	1-3	1-WIRE	YES	1	YES	COMMERCIAL	13
SOT523F-E7A-T-DC23	2-3	1-WIRE	YES	1	YES	COMMERCIAL	23
SOT523F-E7A-T-DC123	1-2-3	2-WIRES	YES	1	YES	COMMERCIAL	123

TopLine®			
TITLE		SOT523F JUMPER DAISY CHAIN	
SCALE	SIZE	DRAWING NO.	REV
20:1	A	121523	A
DO NOT SCALE DRAWING			SHEET 4 OF 7

TAPE SPECIFICATION FOR SOT523F
SURFACE MOUNT DEVICE



REEL

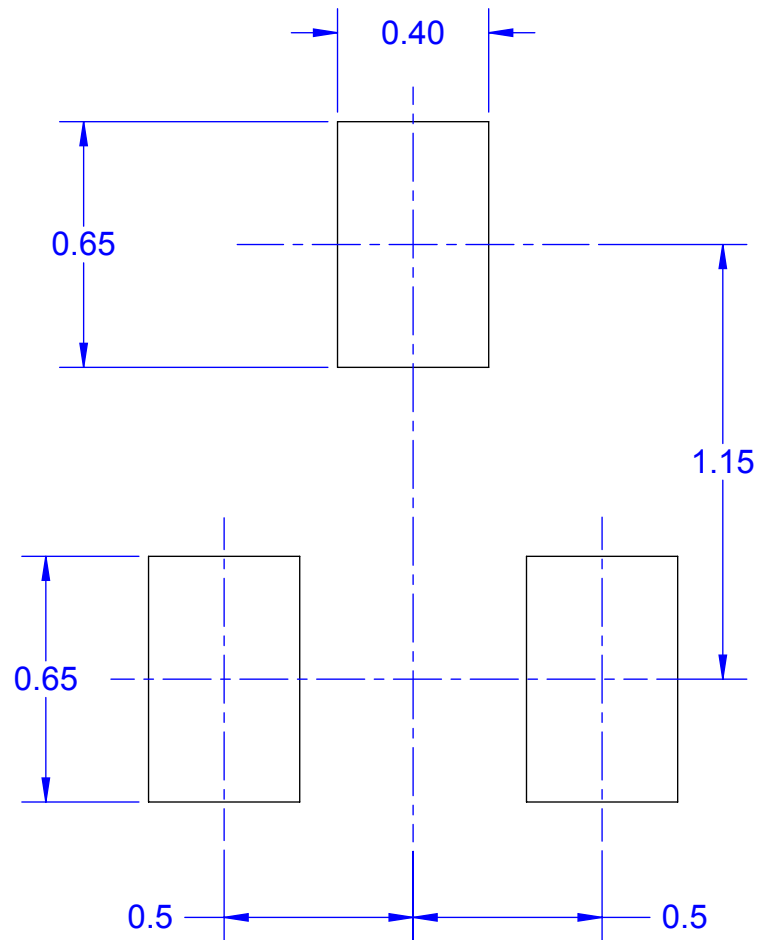


180mm (7") REEL - 3000PCS
100mm (4") REEL - 500 PCS
OTHER QUANTITY AVAILABLE

ALL DIMENSIONS IN mm.

TopLine®			
TITLE		SOT523F JUMPER DAISY CHAIN	
SCALE	SIZE	DRAWING NO.	REV
	A	121523	A
DO NOT SCALE DRAWING			SHEET 5 OF 7

PART NUMBERING SYSTEM



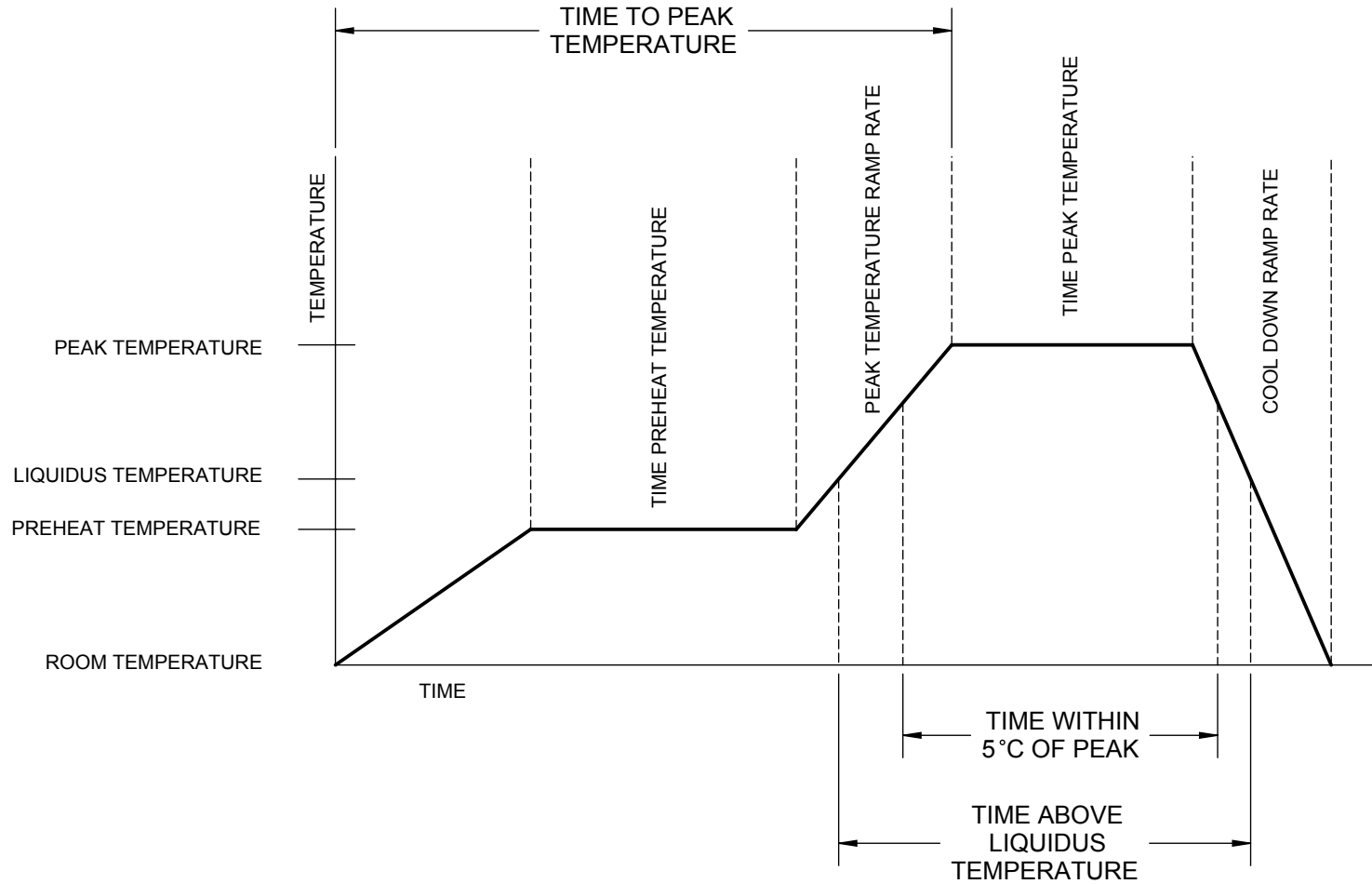
Notes: (Unless Otherwise Specified).

- 1) DIMENSIONS IN mm.
- 2) PCB BOARD DIMENSIONS ARE PRESENTED ONLY AS A GUIDELINE.
DESIGNERS SHOULD USE THEIR OWN EXPERIENCE WHEN DESIGNING PCB.

TopLine[®]

TITLE		SOT523F JUMPER DAISY CHAIN	
SCALE	SIZE	DRAWING NO.	REV
50:1	A	121523	A
DO NOT SCALE DRAWING			SHEET 6 OF 7

LEAD FREE REFLOW PROFILE OF SMD PACKAGE



DESCRIPTION	REQUIREMENT
AVERAGE PREHEAT RAMP RATE	3°C /SECOND MAXIMUM
PREHEAT TEMPERATURE	150°C MINIMUM, 200°C MAXIMUM
PREHEAT TIME	60 TO 80 SECONDS
RAMP TO PEAK	3°C /SECOND MAXIMUM
TIME OVER LIQUIDUS (217°C)	60 TO 150 SECONDS
PEAK TEMPERATURE	260°C +0/-5°C
TIME WITHIN 5°C OF PEAK	20 TO 40 SECONDS
RAMP - COOL DOWN	6°C /SECONDS MAXIMUM
TIME 25°C TO PEAK	8 MINUTES MAXIMUM

TopLine®			
TITLE		SOT523F JUMPER DAISY CHAIN	
SCALE	SIZE	DRAWING NO.	REV
	A	121523	A
DO NOT SCALE DRAWING			SHEET 7 OF 7