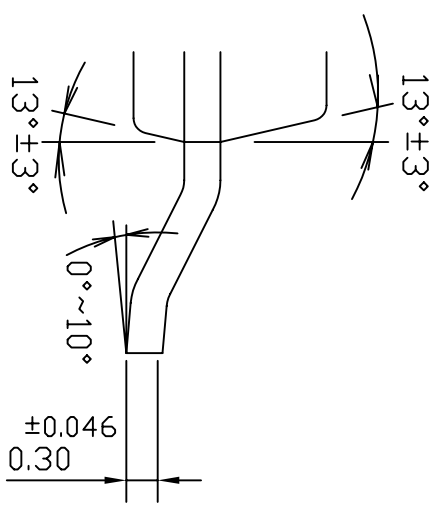
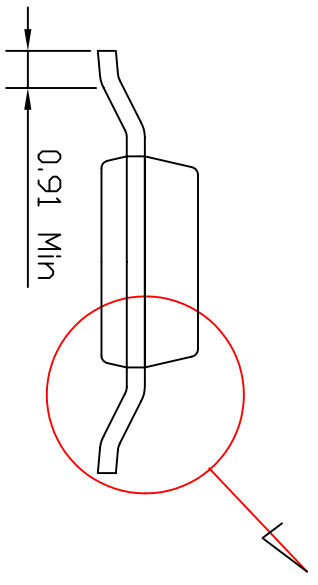
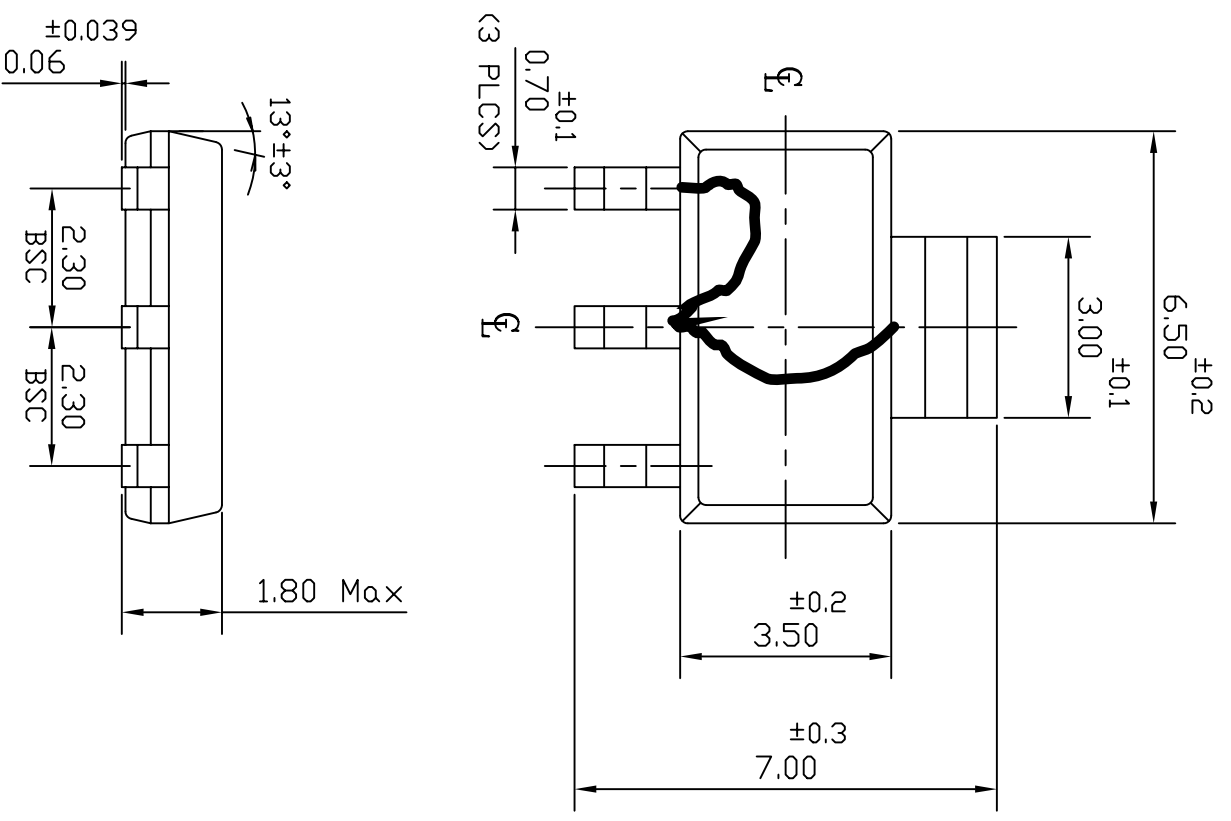


- NOTE:
1. Dimensions and tolerances are as per ANSI Y14.5M, 1982.
  2. Controlling dimension: Millimeters.



REV.	DESCRIPTION	DATE	BY	APPD	TOLERANCES REFER TO THE SPECIFICATION ABOVE.		UNIT: MM	SCALE: NTS	DWN: CH TAN	DATE: 29/09/97	SOT-223 (4 LDS) CASE OUTLINE
							SYMBOL	APPD: FC LEI	DATE:		
								APPD: TS LBE	DATE:		
								APPD: MK CHEW	DATE:		
								DWG. NO: SOT223-POC-001	REV.: 0		SHEET NO : 1 OF 1.