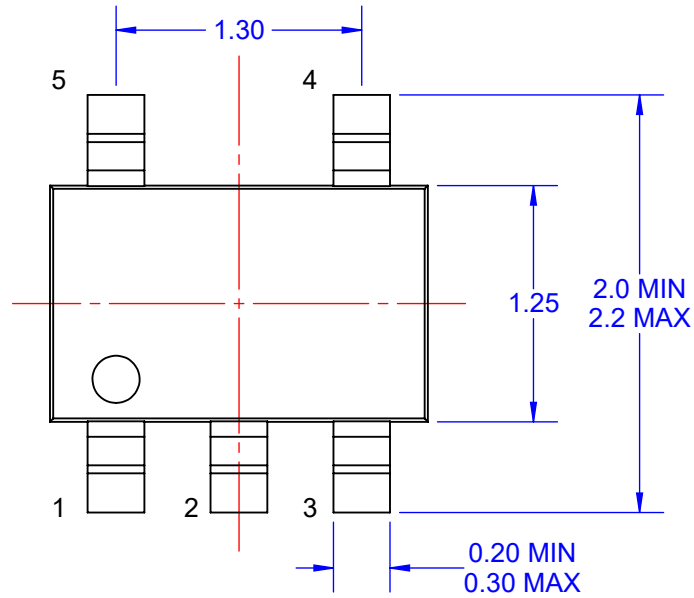
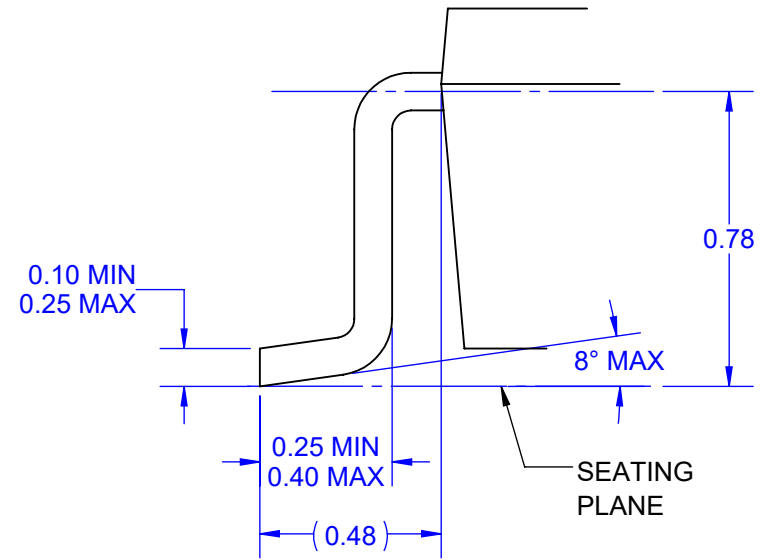


SOT353 JUMPER

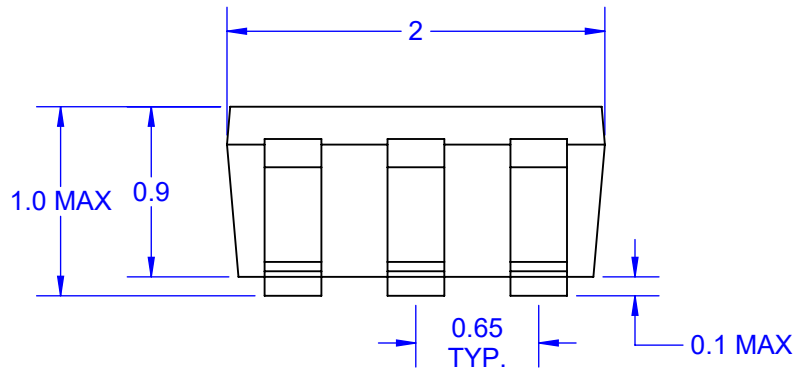
TOP VIEW



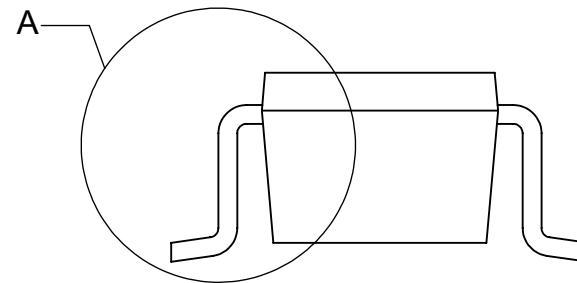
DETAIL A SCALE 50 : 1



SIDE VIEW



END VIEW

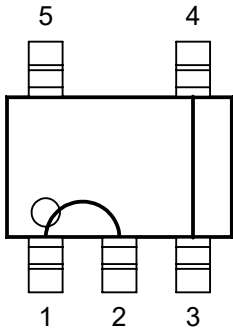


Notes: (Unless Otherwise Specified).

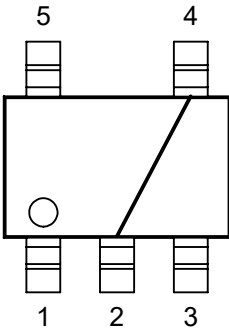
- 1) DIMENSIONS IN mm.
- 2) SEE JUMPER DIAGRAMS (PAGE 2).
- 3) SEE PART NUMBER CONFIGURATION (PAGE 4).
- 4) RECOMMENDED PC BOARD LAYOUT PATTERN (PAGE 7).

APPROVALS	DATE	TopLine[®]			
DRAWN T. Au	1/5/2021				
ENG M. Hart	1/5/2021	TITLE SOT353 JUMPER			
MFG		SCALE 25:1	SIZE A	DRAWING NO. 120353	REV A
QA					
CUST		DO NOT SCALE DRAWING			SHEET 1 OF 8
REVISED					

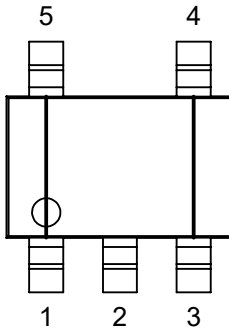
**INTERNAL WIRING CIRCUIT (JUMPER)
PART NUMBER SUFFIX
TOP VIEW**



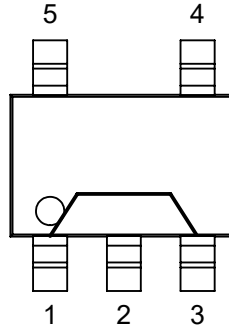
DC19



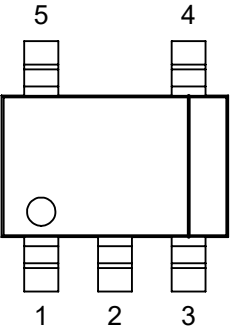
DC24



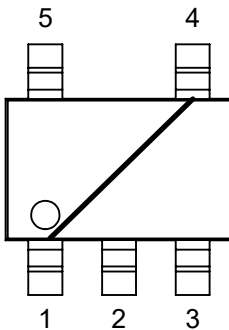
DC25



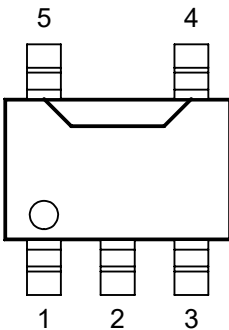
DC31



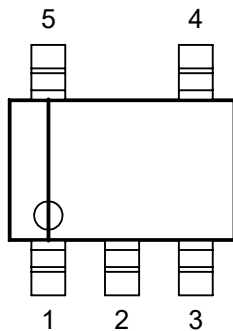
DC34



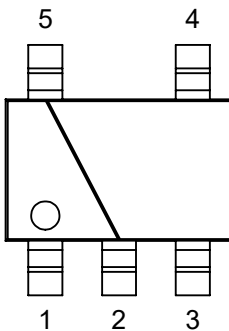
DC41



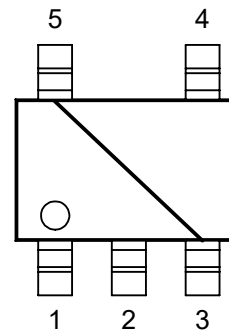
DC45



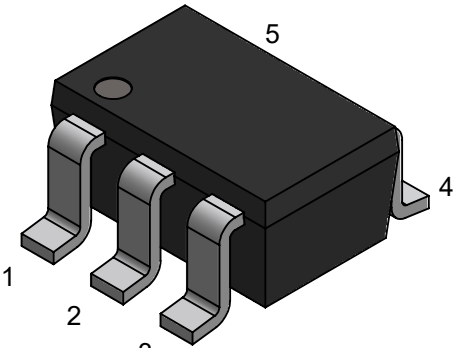
DC51



DC52



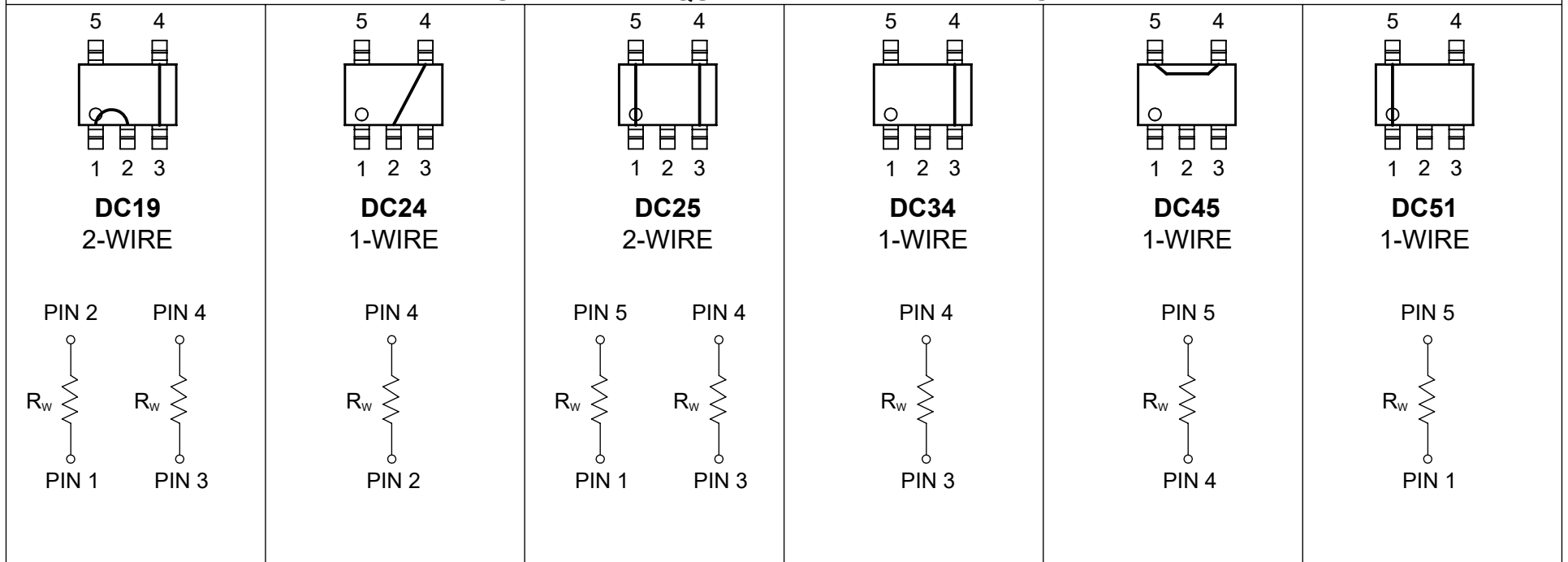
DC54



SOT353 PACKAGE

TopLine®			
TITLE		SOT353 JUMPER	
SCALE	SIZE	DRAWING NO.	REV
15:1	A	120353	A
DO NOT SCALE DRAWING			SHEET 2 OF 8

SCHEMATIC EQUIVALENT INTERNAL CIRCUIT



TEMPERATURE RATING	
JUNCTION TEMP T_J	150 °C
STORAGE TEMP T_{stg}	-65 °C TO 150 °C
PEAK REFLOW TEMP T_{reflow} 10 SECONDS	260 °C

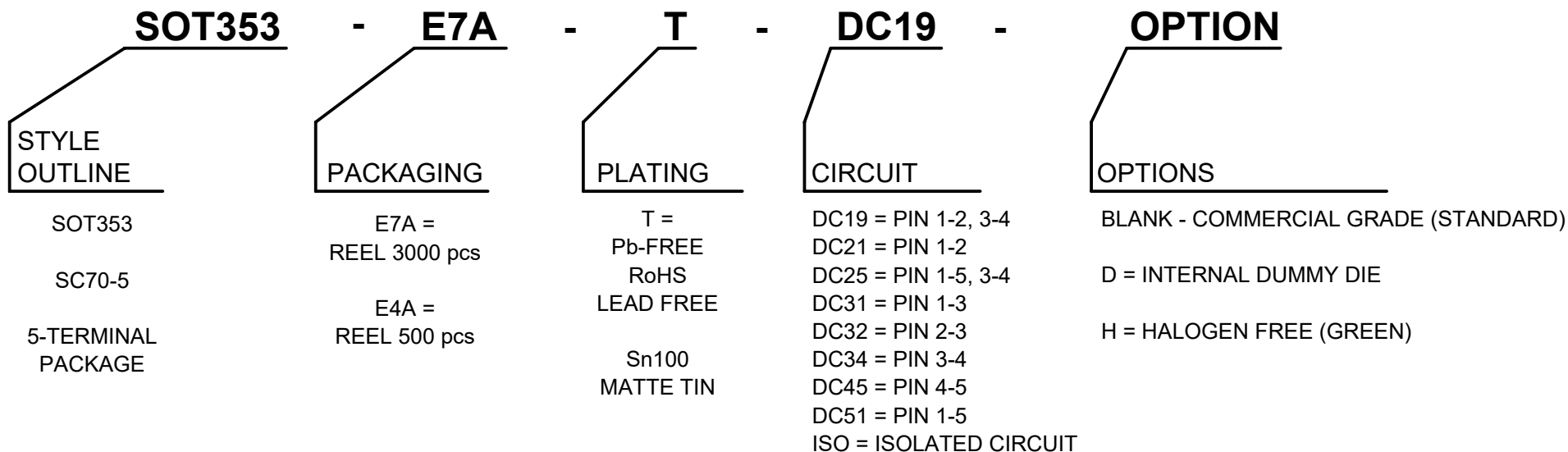
THERMAL RESISTANCE	
JUNCTION TO AMBIENT ($T_a=25^\circ$) $R_{th(j-a)}$	350K/W

ELECTRICAL RESISTANCE MILLIOHM (DC) MAX					
CIRCUIT	PIN 1 TO 2	PIN 1 TO 5	PIN 3 TO 4	PIN 4 TO 5	PIN 2 TO 4
DC19	50mΩ	--	50mΩ	--	--
DC21	50mΩ	--	--	--	--
DC24	--	--	--	--	50mΩ
DC25	--	50mΩ	50mΩ	--	--
DC34	--	--	50mΩ	--	--
DC45	--	--	--	50mΩ	--
DC51	--	50mΩ	--	--	--

MAXIMUM ELECTRICAL (DC) RATING	
WORKING VOLTAGE	100V
CURRENT RATING	150mA
POWER @25 °C	200mV

TopLine [®]			
TITLE SOT353 JUMPER			
SCALE 8:1	SIZE A	DRAWING NO. 120353	REV A
DO NOT SCALE DRAWING			SHEET 3 OF 8

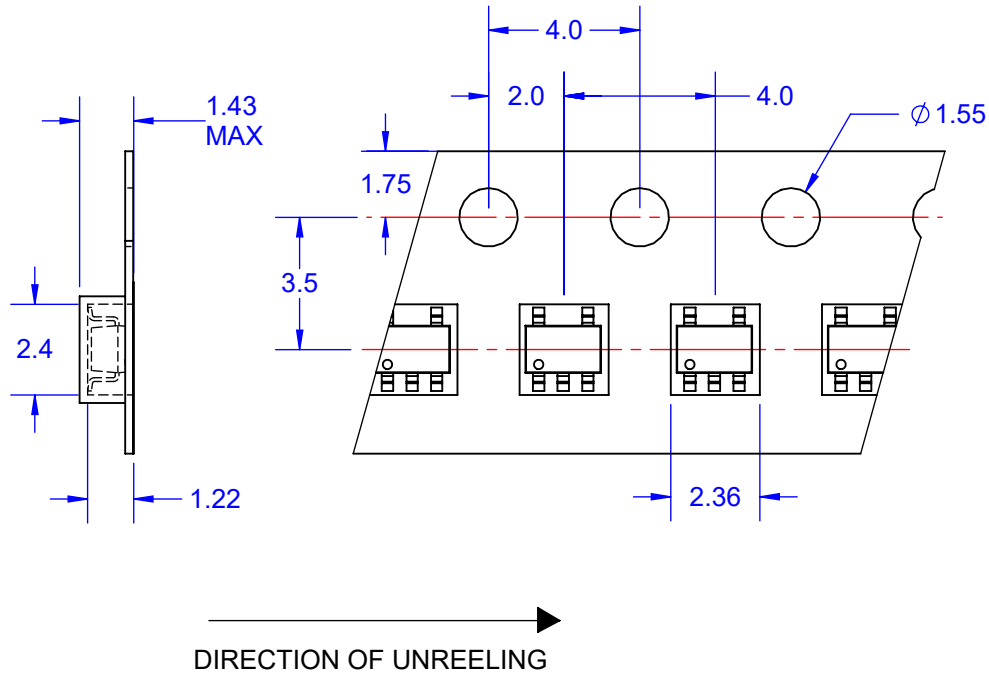
PART NUMBERING SYSTEM



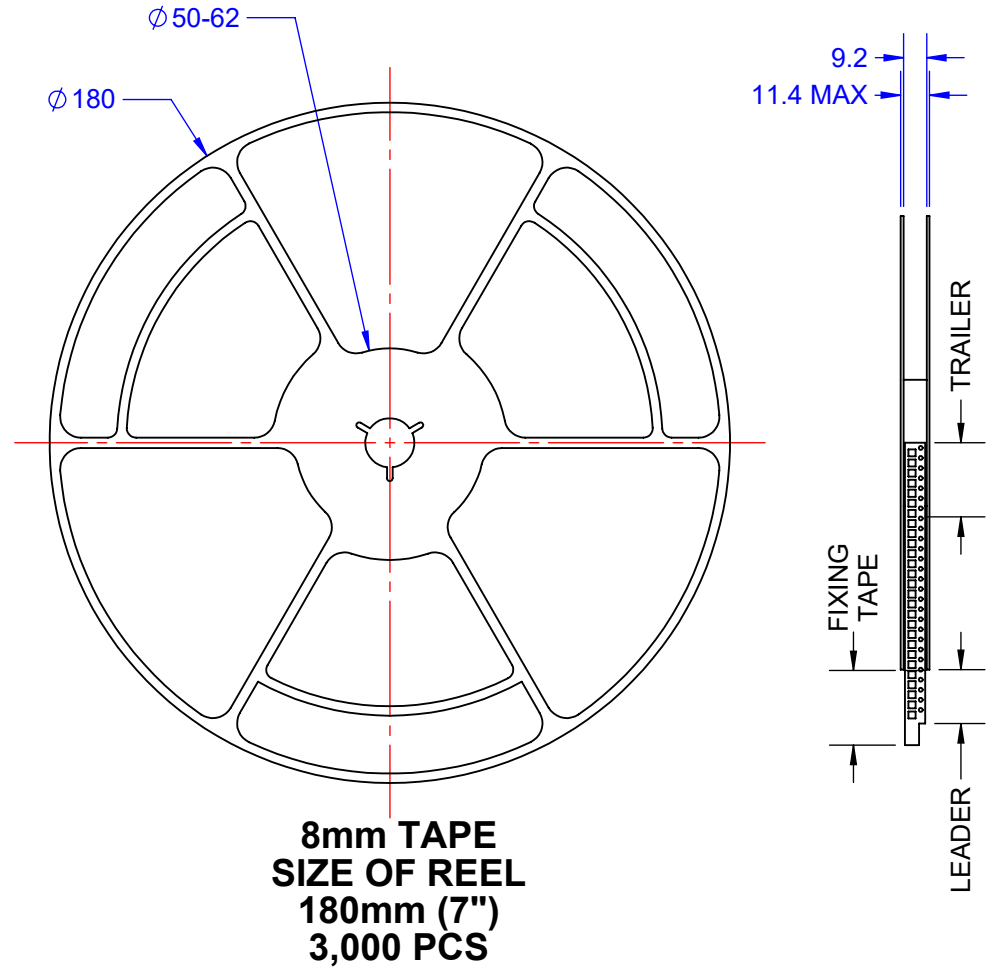
PART NUMBER	SHORTED PINS	NOTES	RoHS Pb-FREE	MSL LEVEL	HALOGEN FREE	TOP MARK
SOT353E7A-TIN	N/A	DUMMY	YES	3	NO	N/A
SOT353E7A-T-ISO	NONE	ISOLATED	YES	1	YES	ISO
SOT353E7A-T-DC19D	1-2, 3-4	2-WIRES	YES	1	YES	D19
SOT353T7A-T-DC45D	4-5	1-WIRE	YES	1	YES	D45
SOT353E7A-T-DC21H	1-2	1-WIRE	YES	1	YES	21H
SOT353E7A-T-DC24H	2-4	1-WIRE	YES	1	YES	24H
SOT353E7A-T-DC25H	1-5, 3-4	2-WIRES	YES	1	YES	25H
SOT353E7A-T-DC31H	1-3	1-WIRE	YES	1	YES	31H
SOT353E7A-T-DC32H	2-3	1-WIRE	YES	1	YES	32H
SOT353E7A-T-DC34H	3-4	1-WIRE	YES	1	YES	34H
SOT353E7A-T-DC41H	1-4	1-WIRE	YES	1	YES	41H
SOT353E7A-T-DC45H	4-5	1-WIRE	YES	1	YES	45H
SOT353E7A-T-DC51H	1-5	1-WIRE	YES	1	YES	51H
SOT353E7A-T-DC52H	2-5	1-WIRE	YES	1	YES	52H
SOT353E7A-T-DC53H	3-5	1-WIRE	YES	1	YES	53H

TopLine[®]			
TITLE SOT353 JUMPER			
SCALE NONE	SIZE A	DRAWING NO. 120353	REV A
DO NOT SCALE DRAWING			SHEET 4 OF 8

TAPE SPECIFICATION FOR SOT353 (SC70-5) SURFACE MOUNT DEVICE



PACKAGE REEL




ALL DIMENSIONS IN mm.

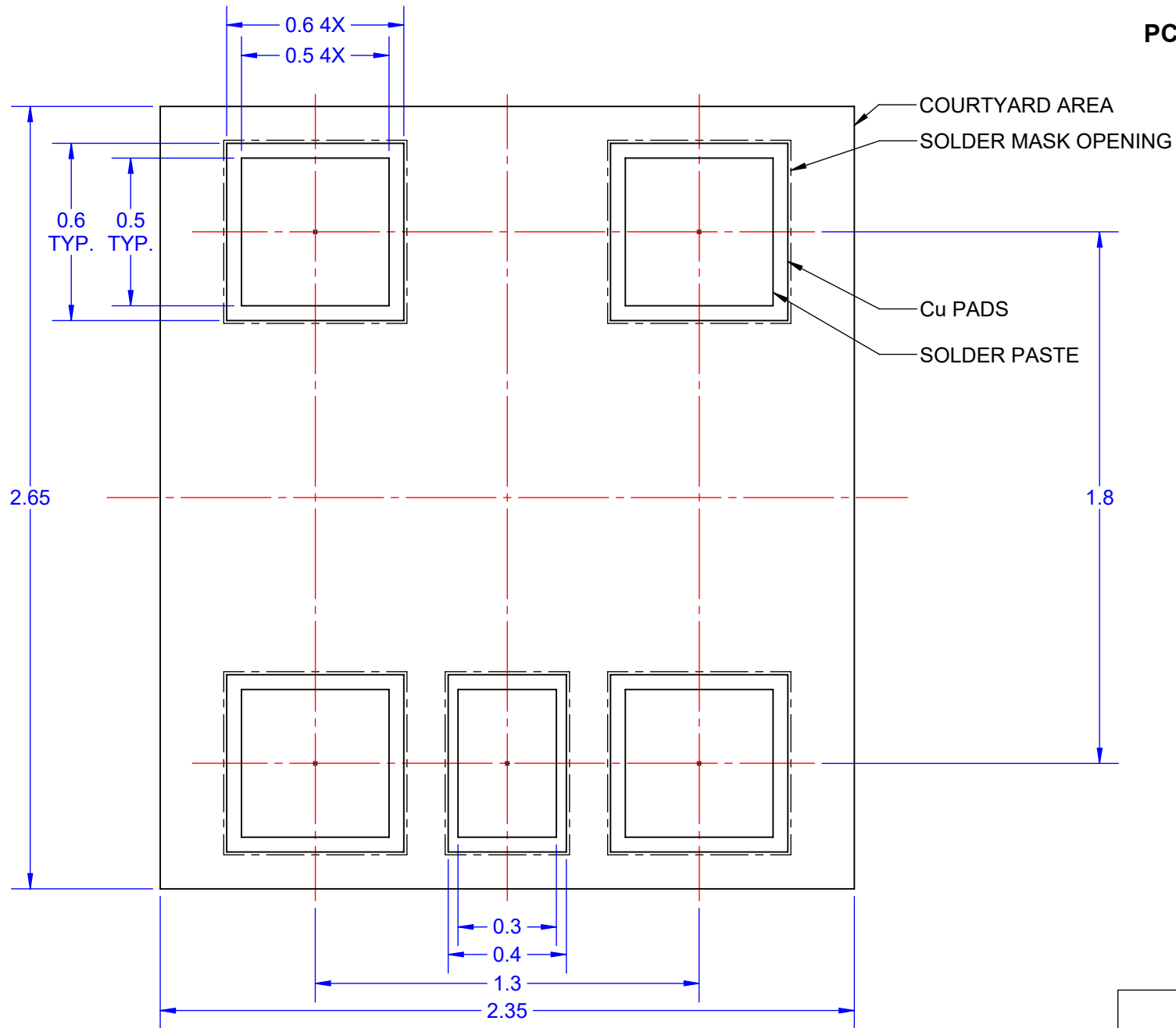
TopLine®			
TITLE		SOT353 JUMPER	
SCALE	SIZE	DRAWING NO.	REV
1:2	A	120353	A
DO NOT SCALE DRAWING			SHEET 5 OF 8

**MATERIALS CONTENT DECLARATION FORM
SOT353 (SC70-5) PACKAGE**

SOT353 (SC70-5) PACKAGE Pb-FREE RoHS					
1 PC WT: 5.49mg					
COMPOSITION BREAKDOWN	M.U.M. (MAKE UP OF MATERIALS)	CHEMICAL COMPOSITION	CAS NO	MASS %	SUBSTANCE WEIGHT (IN mg)
LEADFRAME (2.07 mg)	ALLOY-42	IRON (Fe)	7439-89-6	55.20	1.14
		NICKEL (Ni)	7440-02-0	41.58	0.86
		COBALT (Co)	7440-48-4	00.50	0.01
		COPPER (Cu)	7440-50-8	00.84	0.02
		SILVER (Ag)	7440-22-4	00.12	0.00
		MANGANESE (Mn)	7439-96-5	01.00	0.02
		SILICON (Si)	744-21-3	00.30	0.01
		OTHER	-	00.46	0.01
DIE CHIP (0.09 mg)	SILICON	SILICON (Si)	7440-21-3	0.1	0.09
BONDING WIRE (0.02 mg)	GOLD	GOLD (Au)	7440-57-5	0.4	0.02
ENCAPSULATION (2.94mg)	EPOXY RESIN	CARBON BLACK	1333-86-4	00.50	00.01
		MISC. SILICA COMPOUNDS	.	73.10	02.15
		EPOXY RESIN SYSTEM	.	17.00	00.50
		PHENOLIC RESIN	.	00.40	00.01
		NON HAZARDOUS CRISTOBALITE	14464-46-1	01.00	00.03
TERMINATION PLATING (0.37mg)	PURE TIN	TIN (Sn)	7440-31-5	100.0	0.37

			
TITLE SOT353 JUMPER			
SCALE NONE	SIZE A	DRAWING NO. 120353	REV A
DO NOT SCALE DRAWING			SHEET 6 OF 8

PC BOARD LAND PATTERN
SOT353
SC70-5



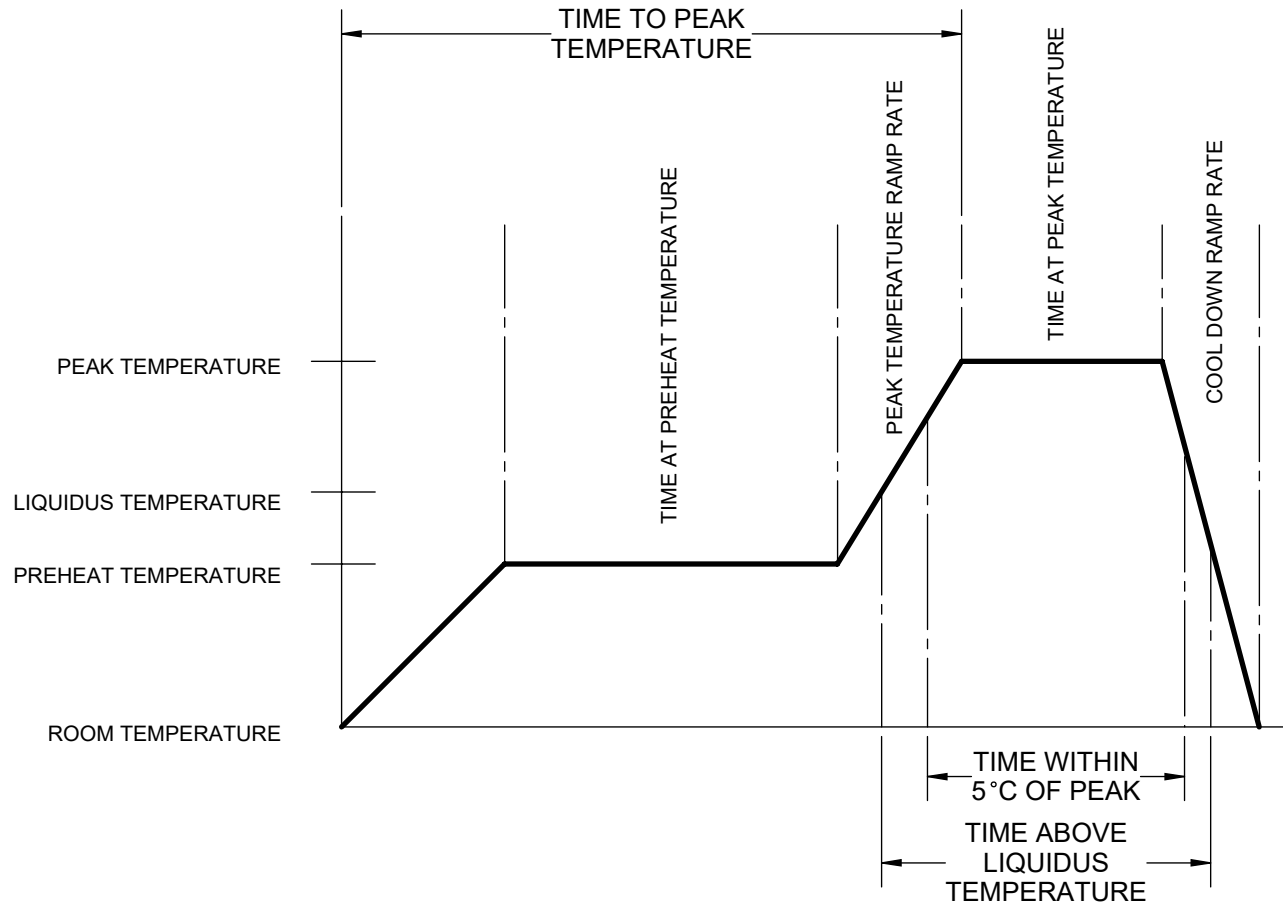
Notes: (Unless Otherwise Specified).

- 1) DIMENSIONS IN mm.
- 2) PC BOARD DIMENSIONS ARE PRESENTED ONLY AS A GUIDELINE.
 DESIGNERS SHOULD USE THEIR OWN EXPERIENCE WHEN DESIGNING PCB.

TopLine[®]

TITLE			
SOT353 JUMPER			
SCALE	SIZE	DRAWING NO.	REV
50:1	A	120353	A
DO NOT SCALE DRAWING			SHEET 7 OF 8

LEAD FREE REFLOW PROFILE OF SMD PACKAGE



DESCRIPTION	REQUIREMENT
AVERAGE PREHEAT RAMP RATE	3°C /SECOND MAXIMUM
PREHEAT TEMPERATURE	150°C MINIMUM, 200°C MAXIMUM
PREHEAT TIME	60 TO 80 SECONDS
RAMP TO PEAK	3°C /SECOND MAXIMUM
TIME OVER LIQUIDUS (217°C)	60 TO 150 SECONDS
PEAK TEMPERATURE	260°C +0/-5°C
TIME WITHIN 5°C OF PEAK	20 TO 40 SECONDS
RAMP - COOL DOWN	6°C /SECONDS MAXIMUM
TIME 25°C TO PEAK	8 MINUTES MAXIMUM

TopLine[®]			
TITLE		SOT353 JUMPER	
SCALE	SIZE	DRAWING NO.	REV
NONE	A	120353	A
DO NOT SCALE DRAWING			SHEET 8 OF 8