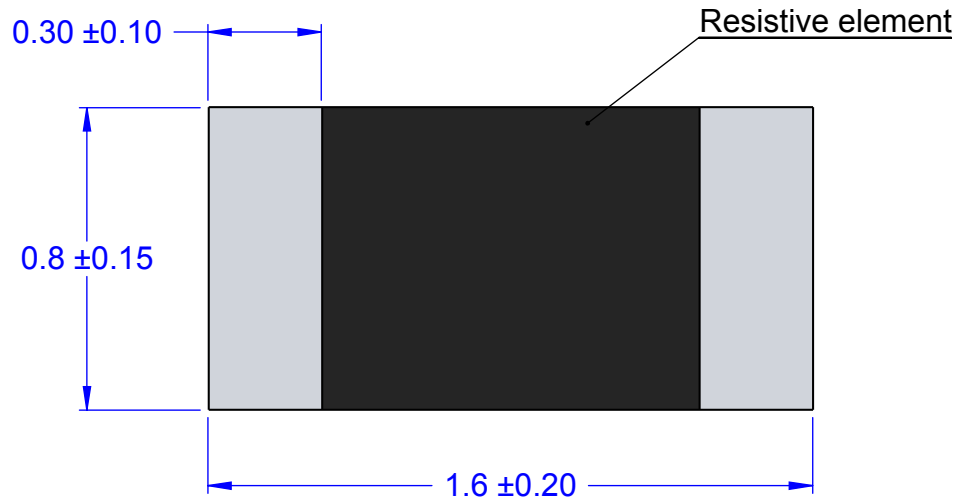
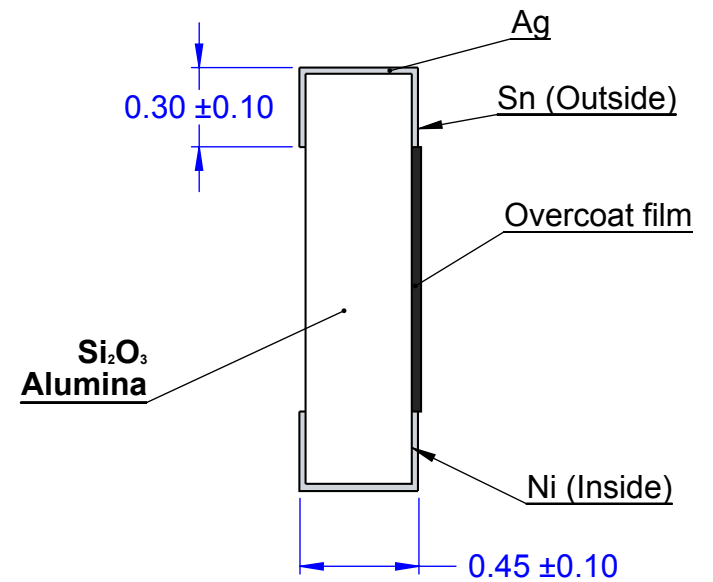


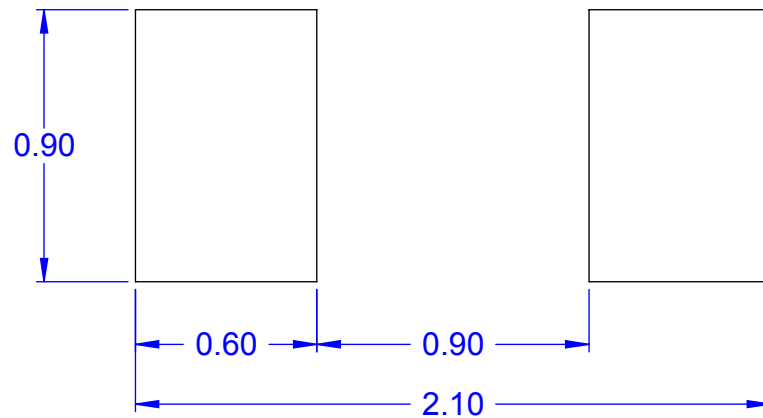
TOP VIEW



STRUCTURE

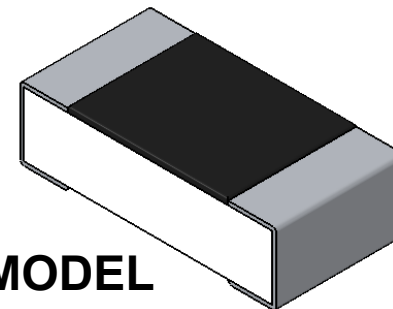


RECOMMENDED PCB PATTERN



NOTES: Current Rating 1A @ 50WVDC.

1. DIMENSIONS IN mm.
2. TERMINATION: Tin (Sn).
3. Pb-FREE AND HALOGEN FREE.

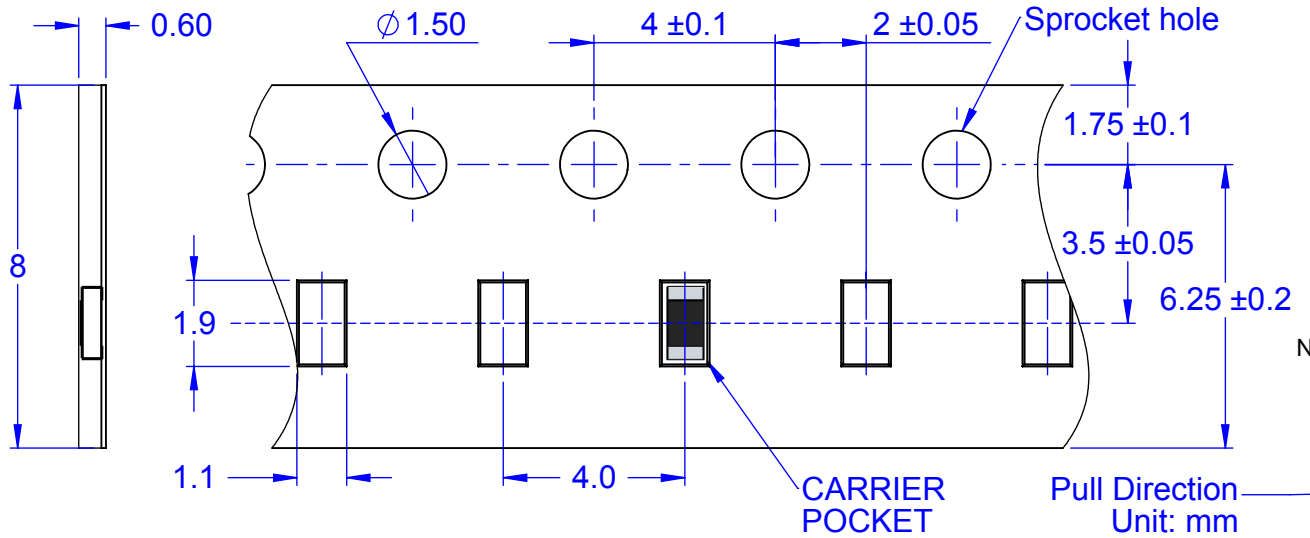


MODEL

PCB DIMENSIONS ARE PRESENTED ONLY AS A GUIDELINE.
DESIGNERS SHOULD USE THEIR OWN KNOWLEDGE BASE WHEN
DESIGNING THE PCB.

APPROVALS	DATE	TopLine®			
DRAWN T. Au	08/03/12				
ENG M. Hart	08/03/12	TITLE SR0603 SMT RESISTOR			
MFG		SCALE	SIZE A	DRAWING NO. 120601	REV A
QA					
CUST					
REVISED		DO NOT SCALE DRAWING			SHEET 1 OF 2

W8P4 CARRIER TAPE DIMENSION



PART NUMBER SYSTEM

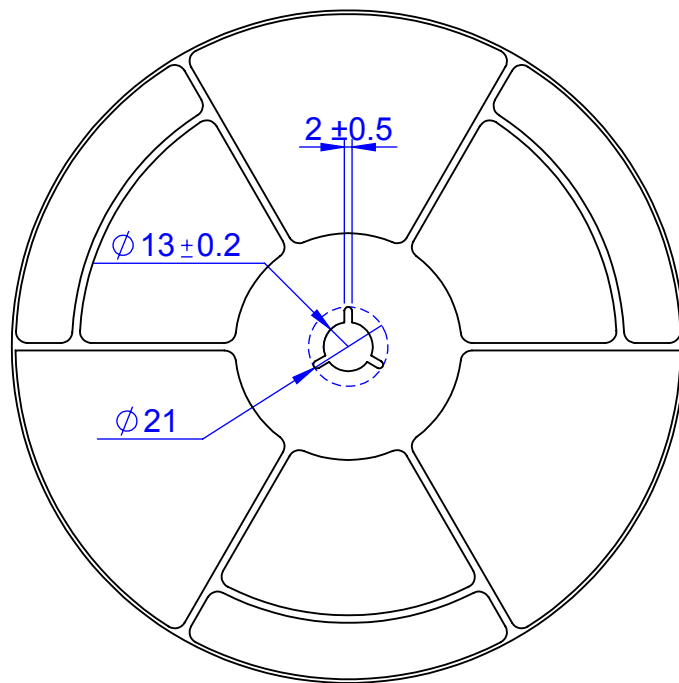
SR 0603 P7A - ZERO - T

RESISTOR PACK CODE < 50mΩ

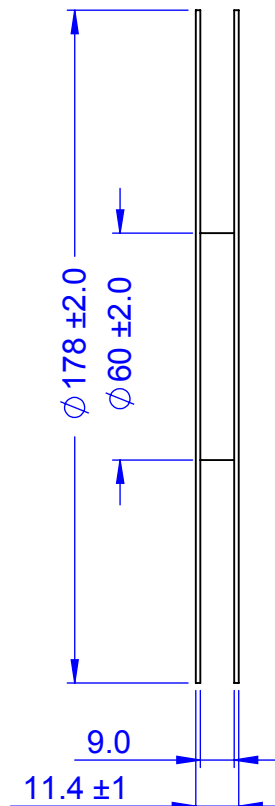
SIZE CODE TERMINATION Sn (TIN)

1.6 x 0.8mm

NOTE: For dummy resistor replace ZERO with blank



REEL DIMENSIONS



PACK CODE

CODE	QTY	PACKAGE
P7A	5,000	REEL
P4A	1,000	REEL

APPROVALS	DATE	TopLine®			
DRAWN T. Au	08/03/12	TITLE SR0603 SMT RESISTOR			
ENG M. Hart	08/03/12				
MFG		SCALE	SIZE A	DRAWING NO. 120601	REV A
QA		DO NOT SCALE DRAWING		SHEET 2 OF 2	
CUST					
REVISED					