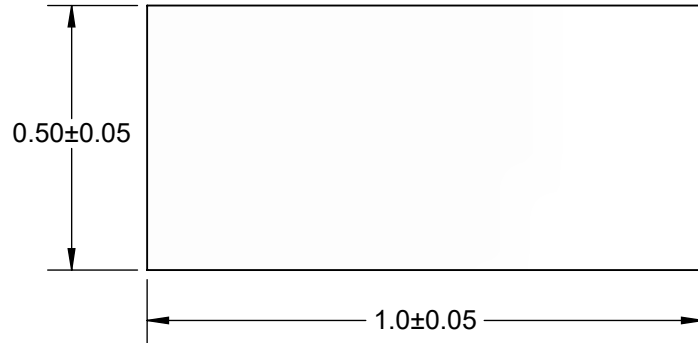
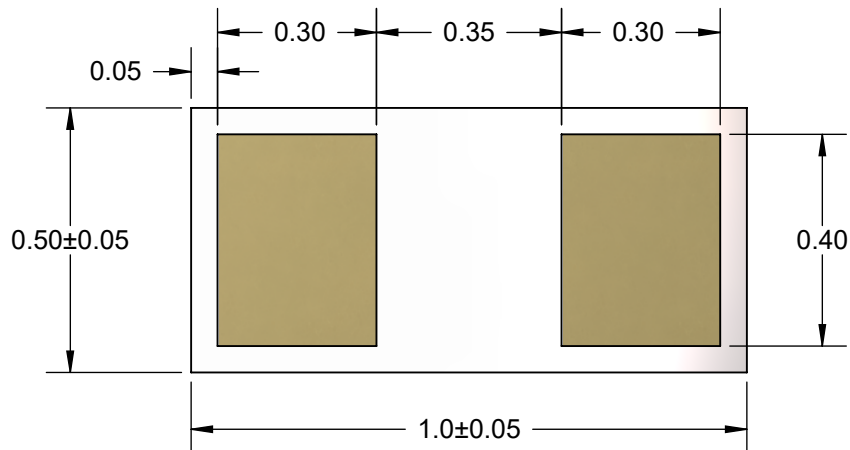


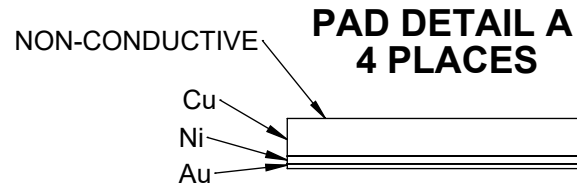
TOP VIEW



BOTTOM VIEW

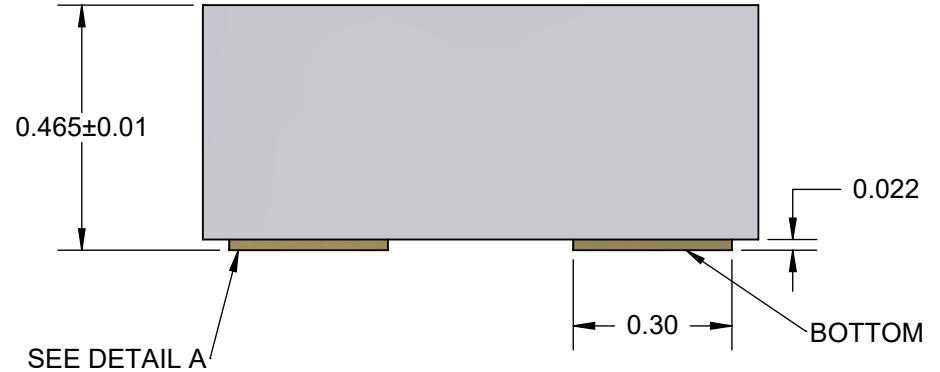


1. SOLDERABLE SPACER (NON-CONDUCTIVE)
2. NON-POLARIZED

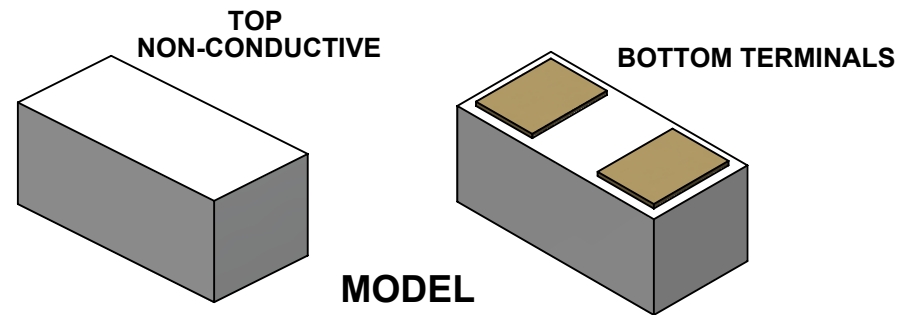


METALLIZATION THICKNESS	
Ni	4.0±1.5µm
Au	0.05±0.02µm
Cu	18.0µm

SECTION VIEW



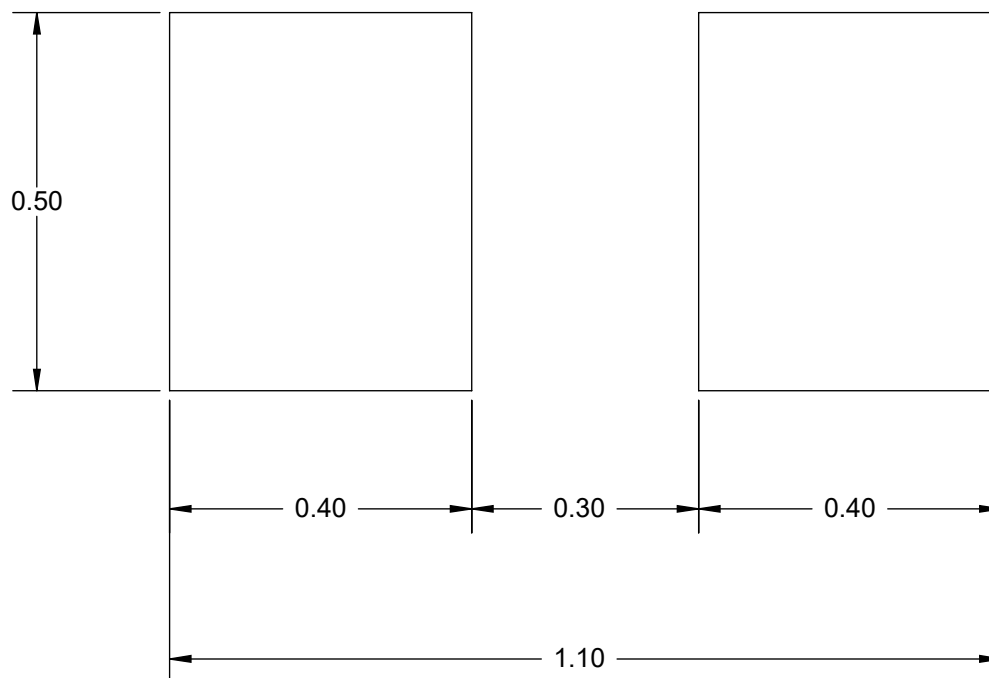
- NOTES:
1. DIMENSION IN mm EXCEPT AS NOTED.
 2. TERMINATION: NiAu.
 3. Pb-FREE.



MODEL

APPROVALS	DATE	TopLine®			
DRAWN T.Au	11/12/2020				
ENG M. Hart	11/12/2020	TITLE SSL040218.3E7A-G - 0.465mm 0402 SPACER			
MFG		SCALE	SIZE	DRAWING NO.	REV
QA		50:1	A	040218	A
CUST		DO NOT SCALE DRAWING			SHEET 1 OF 3
REVISED					

RECOMMENDED PCB PATTERN



PCB DIMENSIONS ARE PRESENTED ONLY AS A GUIDELINE.
DESIGNERS SHOULD USE THEIR OWN KNOWLEDGE BASE WHEN
DESIGNING THE PCB.

TopLine[®]

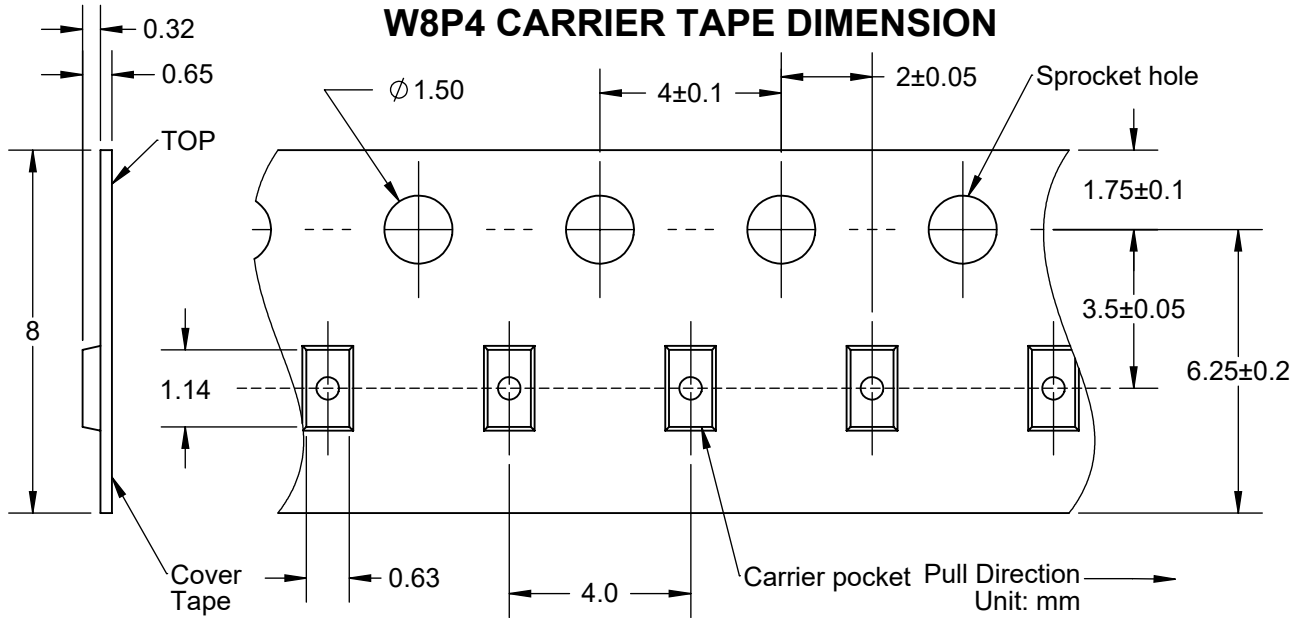
TITLE SSL040218.3E7A-G - 0.465mm
0402 SPACER

SCALE	SIZE	DRAWING NO.	REV
50:1	A	040218	A

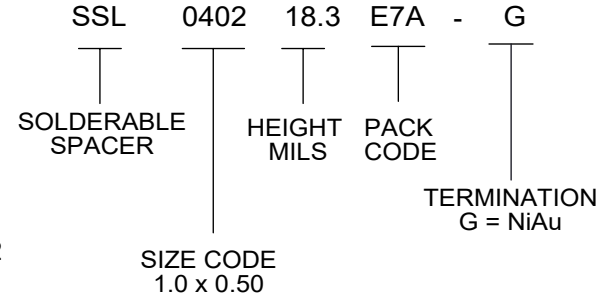
DO NOT SCALE DRAWING

SHEET 2 OF 3

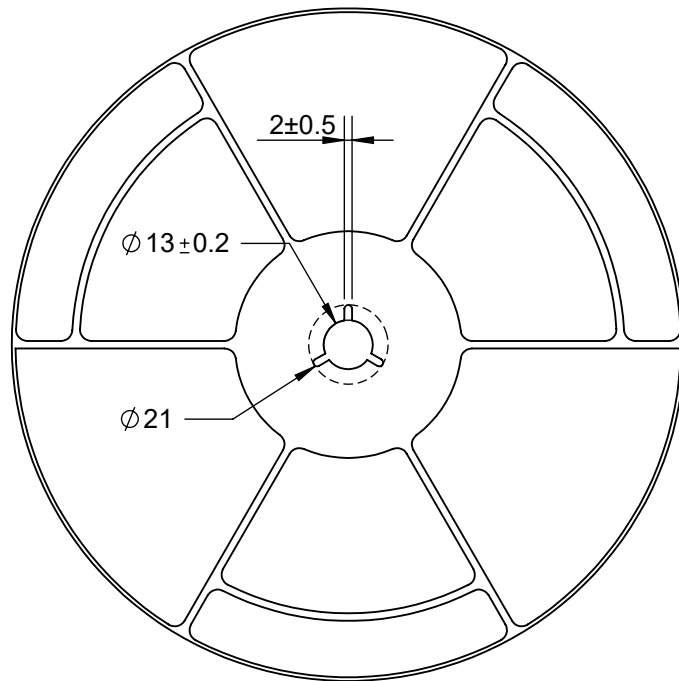
W8P4 CARRIER TAPE DIMENSION



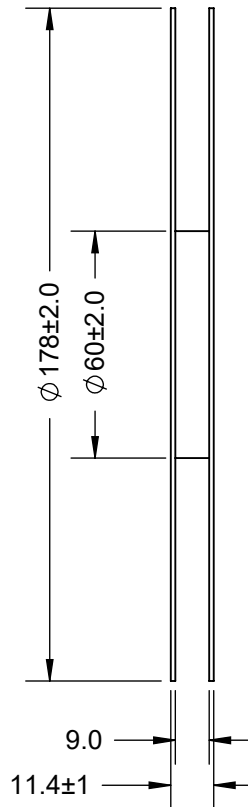
PART NUMBER SYSTEM



* 18.5 = 0.465mm \pm 0.01



REEL DIMENSIONS



PACK CODE		
CODE	QTY	PACKAGE
E7A	4,000	REEL

TopLine®			
TITLE SSL040218.3E7A-G - 0.465mm 0402 SPACER			
SCALE NONE	SIZE A	DRAWING NO. 040218	REV A
DO NOT SCALE DRAWING			SHEET 3 OF 3