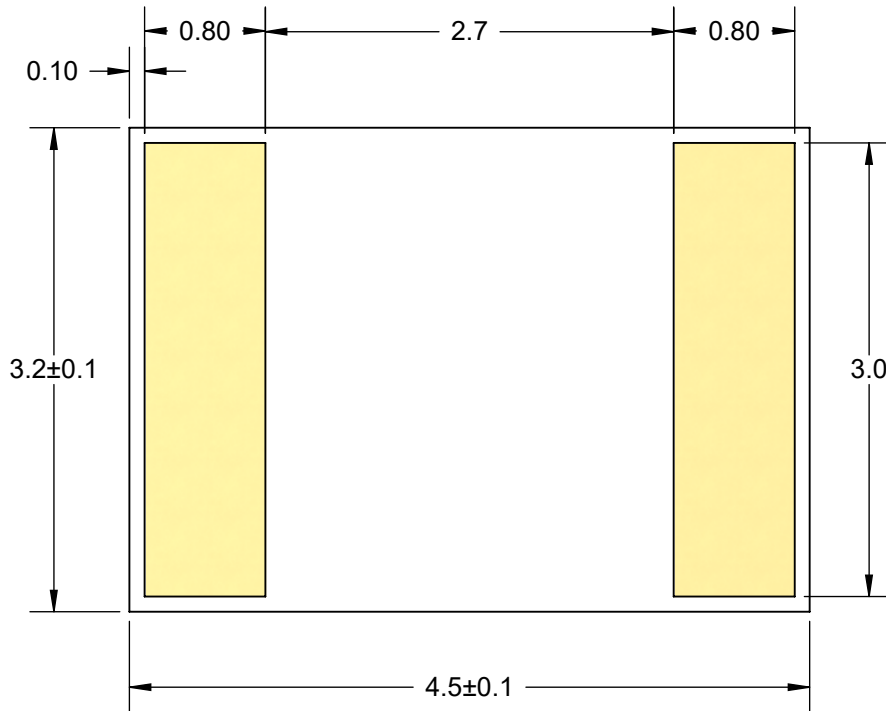
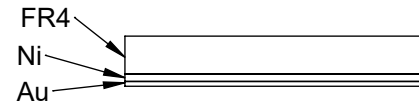


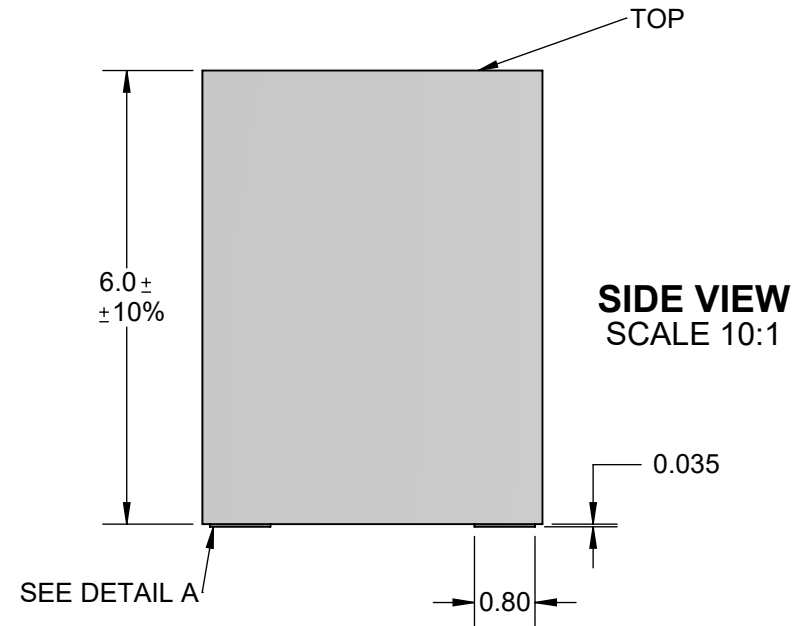
BOTTOM VIEW



PAD DETAIL A

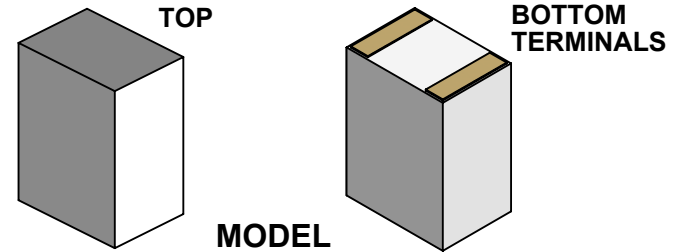
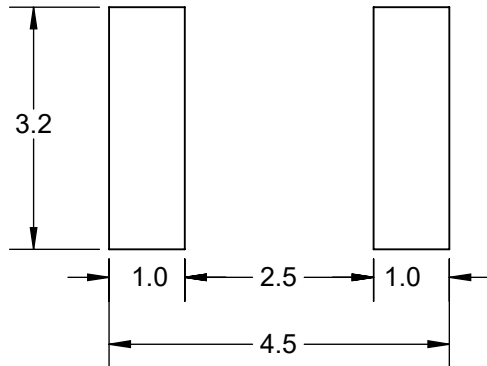


METALLIZATION THICKNESS	
Ni	4.0±1.5µm
Au	0.05±0.02µm



- NOTES:
 1. DIMENSION IN mm EXCEPT AS NOTED.
 2. TERMINATION: NiAu.
 3. Pb-FREE AND HALOGEN FREE.

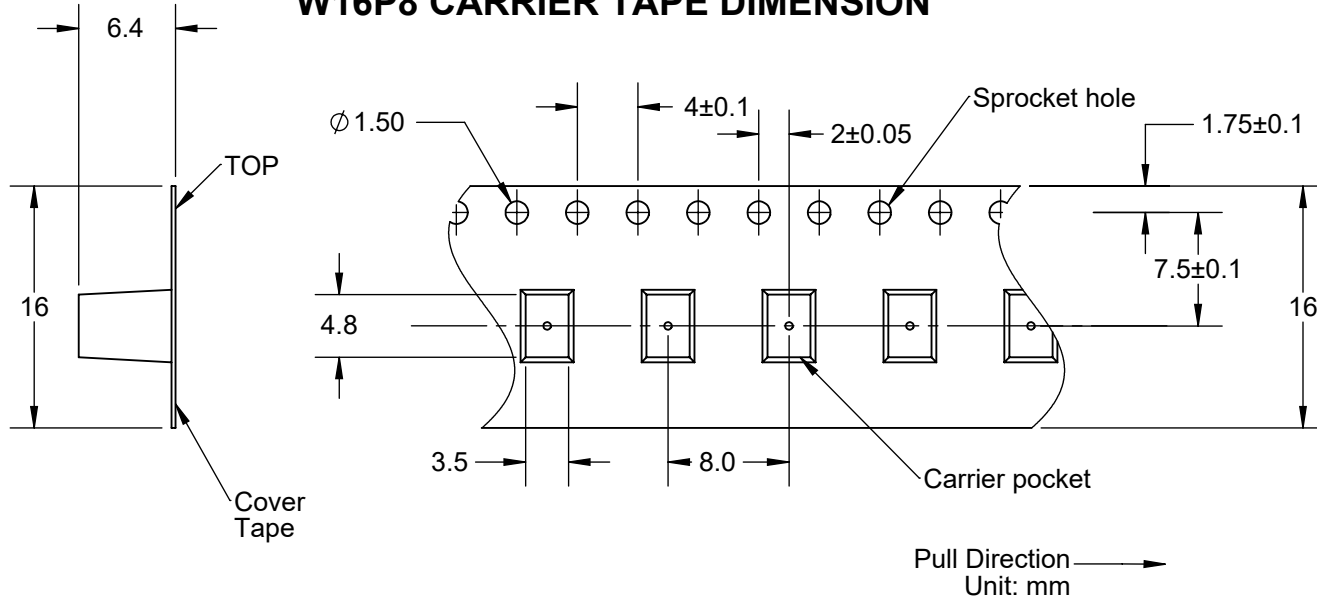
RECOMMENDED PCB PATTERN SOLDER MASK DEFINED PADS



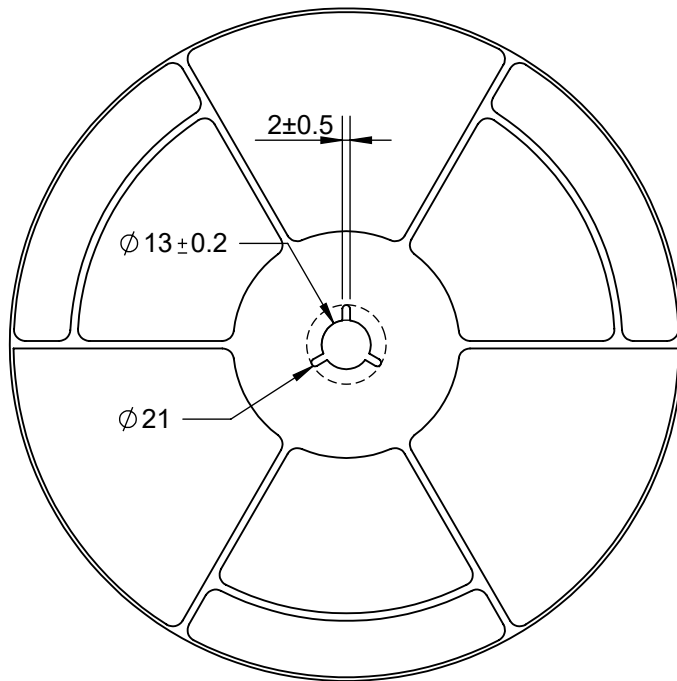
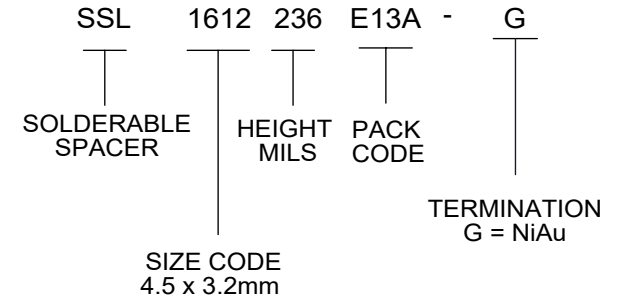
PCB DIMENSIONS ARE PRESENTED ONLY AS A GUIDELINE.
 DESIGNERS SHOULD USE THEIR OWN KNOWLEDGE BASE WHEN
 DESIGNING THE PCB.

APPROVALS	DATE	TopLine®			
DRAWN T.Au	8/23/2021				
ENG M. Hart	8/23/2021	TITLE SSL1812 - H6.0mm BOTTOM TERMINAL SPACER			
MFG		SCALE	SIZE	DRAWING NO.	REV
QA		20:1	A	181261	A
CUST		DO NOT SCALE DRAWING			SHEET 1 OF 2
REVISED					

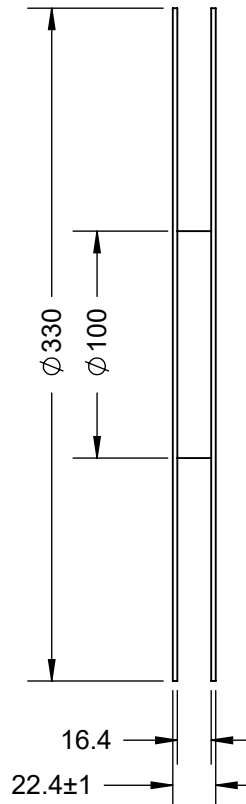
W16P8 CARRIER TAPE DIMENSION



PART NUMBER SYSTEM



REEL DIMENSIONS



PACK CODE		
CODE	QTY	PACKAGE
E13A	500	REEL

NOTE: PLACE COMPONENT IN TAPE METAL SIDE DOWN

TopLine®			
TITLE: SSL1812 - H6.0mm BOTTOM TERMINAL SPACER			
SCALE: NONE	SIZE: A	DRAWING NO.: 181261	REV: A
DO NOT SCALE DRAWING			SHEET 2 OF 2