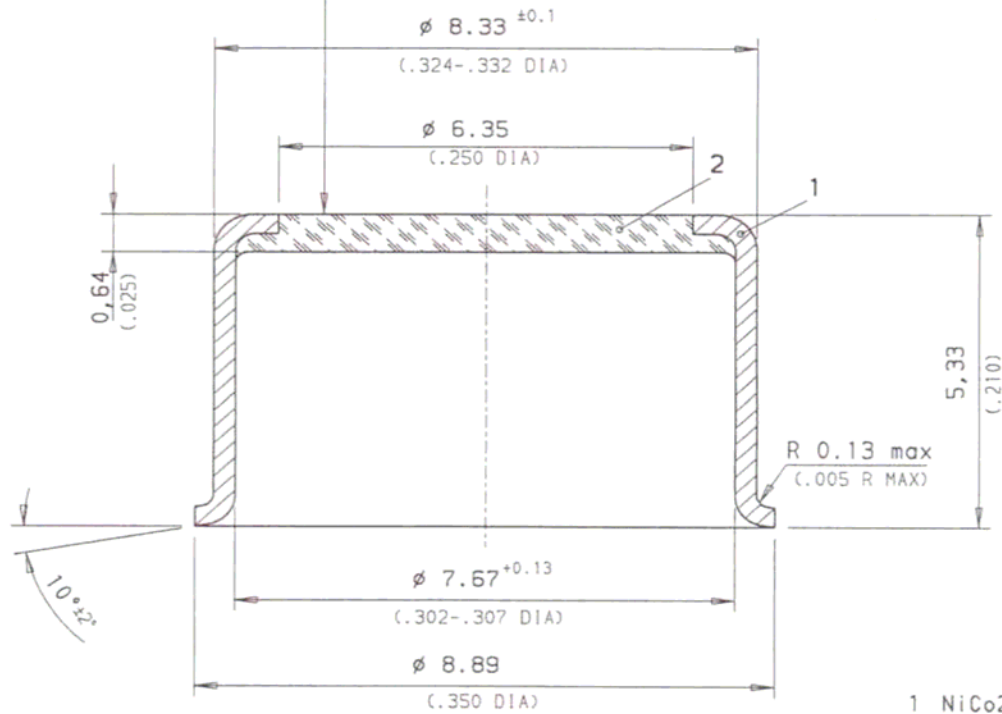


(.008 CONVEX)
 ▱ 0.20 konvex
 ▱ 0.10 konkav
 (.004 CONCAVE)

CROSS SECTION - SIDE VIEW



1 NiCo2918
 (KOVAR)
 2 Klarglas
 (CLEAR-GLASS)

NOTES:

- 1) WINDOW LID FOR TO-5 AND TO-39
- 2) MATERIAL KOVAR
- 3) DIMENSIONS IN MM (INCH)

APPROVALS	DATE	TopLine®			
DRAWN T. Au	09/23/12				
ENG M. Hart	09/23/12	TITLE TO-5 CAN WINDOW			
MFG		SCALE 50:1	SIZE A	DRAWING NO. 155507	REV A
QA					
CUST		DO NOT SCALE DRAWING			
REVISED					