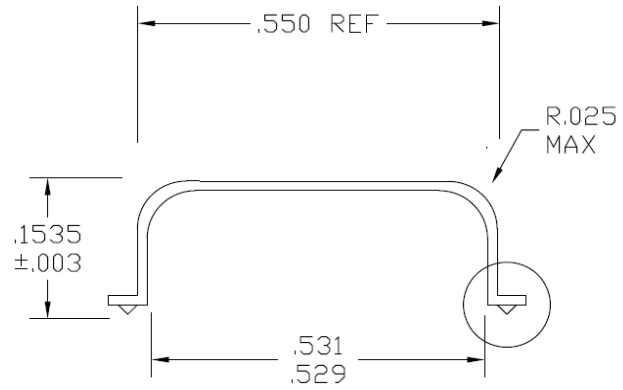
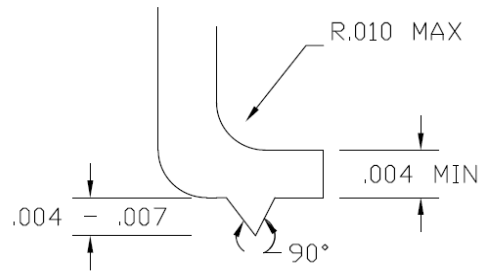
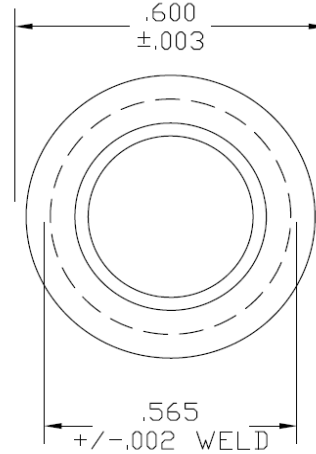


SIDE VIEW



TOP VIEW



NOTES:
1) DIMENSIONS IN INCH

APPROVALS	DATE	TopLine®			
DRAWN T. Au	09/23/12				
ENG M. Hart	09/23/12	TITLE TO-8 CAN .153H			
MFG		SCALE	SIZE	DRAWING NO.	REV
QA		50:1	A	150814	A
CUST		DO NOT SCALE DRAWING			
REVISED					