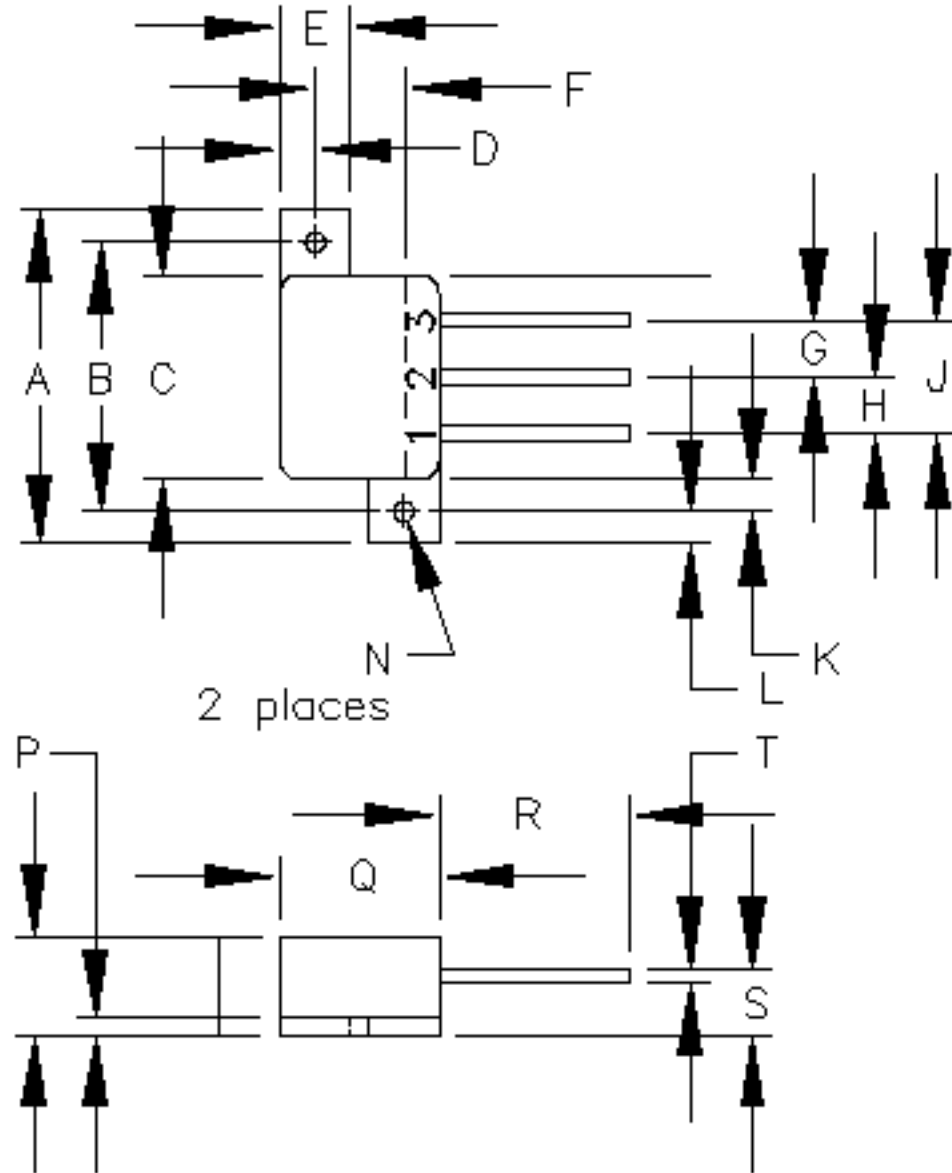


# TO-259



DIMENSIONS	
	Inches
A	1.190±.005
B	.940±.005
C	.690±.005
D	.125 typ
E	.250 typ
F	.285±.005
G	.145 ref
H	.200±.005
J	.400±.005
K	.125 ref
L	.115±.010
M	.208±.005
N	∅.144±.005
P	.040±.005
Q	.540±.010
R	.500 min
S	.145±.010
T	∅.060±.005