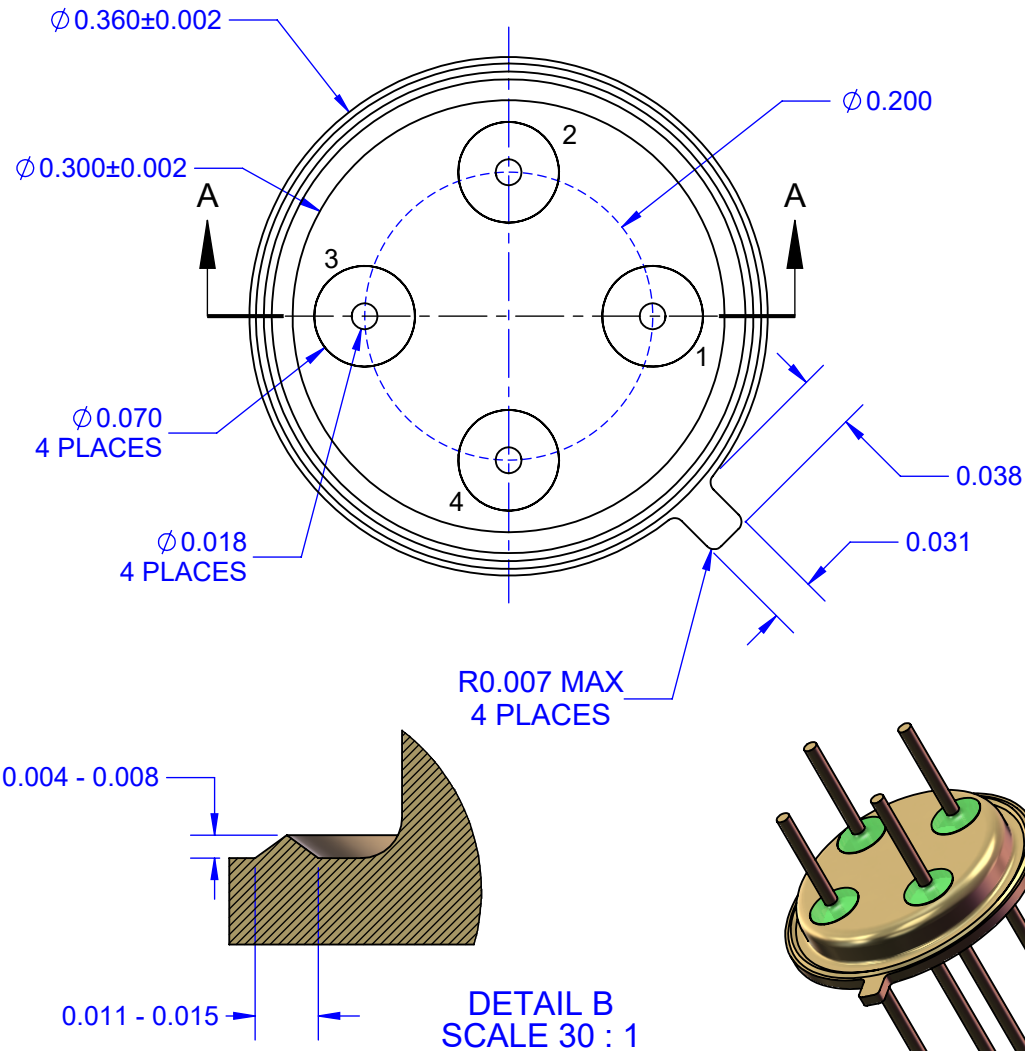
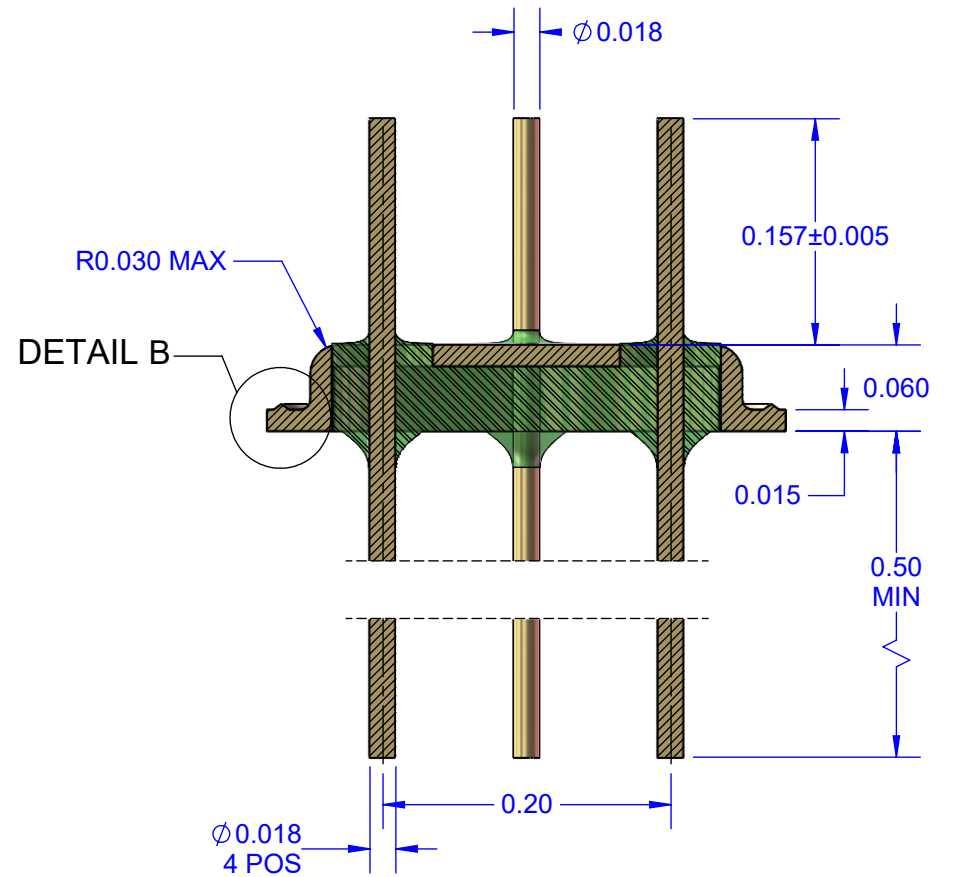


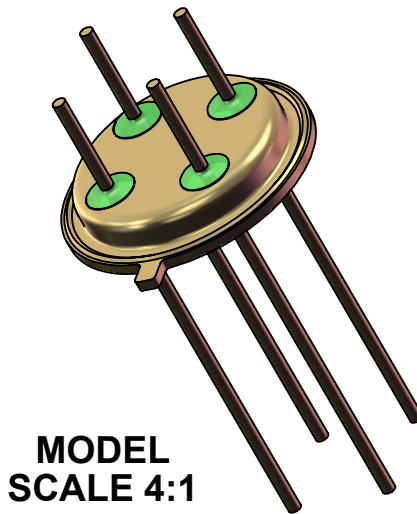
TOP VIEW



SECTION VIEW A-A



SECTION A-A
SCALE 7.5 : 1



- NOTES:
1. DIMENSIONS: INCH (Unless Otherwise Specified).
 2. BODY KOVAR ASTM F45 ALLOY 42.
 3. LEADS KOVAR ASTM F15.
 4. GLASS 7052 OR EQUIVALENT.
 5. PLATING: Ni 100~300 Micro-inch
Au 50 Micro-inch MIN

APPROVALS	DATE	TopLine®			
DRAWN T. Au	6/15/2025				
ENG M. Hart	6/15/2025	TITLE TO-5 HEADER 4L 4mm STRAIGHT PIN ISOLATED			
MFG		SCALE	SIZE	DRAWING NO.	REV
QA		7.5:1	A	139044	A
CUST		DO NOT SCALE DRAWING			SHEET 1 OF 1
REVISED					