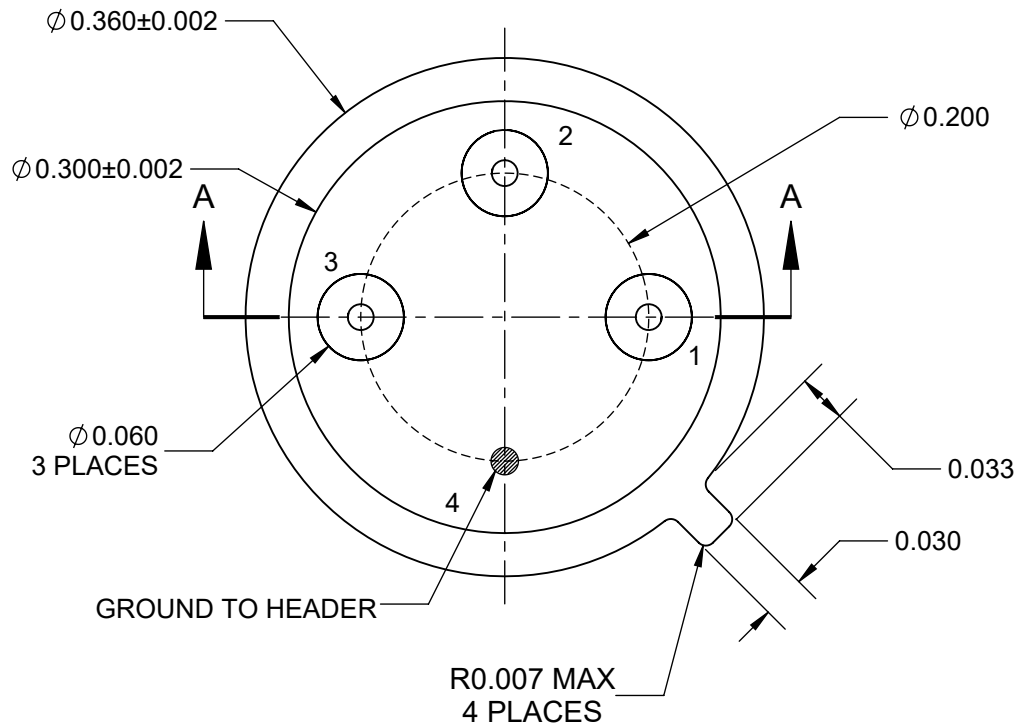
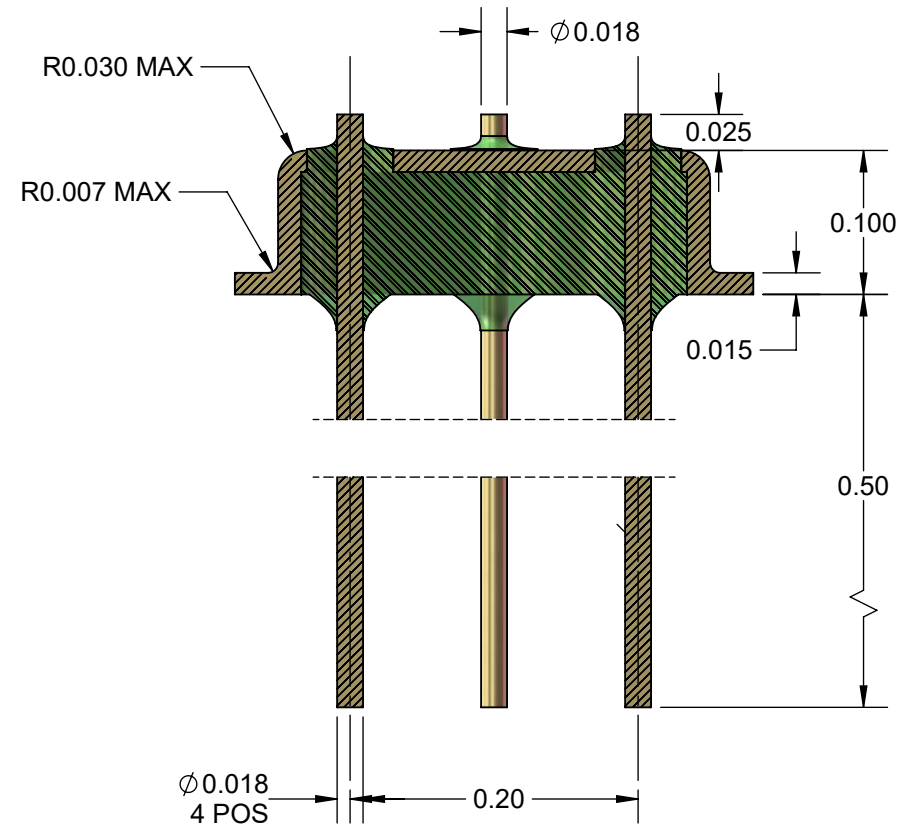


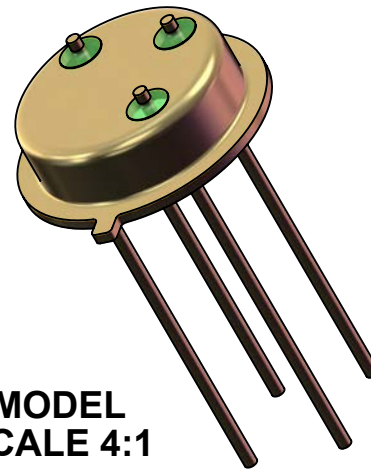
TOP VIEW



SECTION VIEW A-A



SECTION A-A
SCALE 7.5 : 1



**MODEL
SCALE 4:1**

- NOTES:
 1. DIMENSIONS in INCH (Unless Otherwise Specified).
 2. BODY KOVAR ASTM F45 ALLOY 42.
 3. LEADS KOVAR ASTM F15.
 4. GLASS 7052 OR EQUIVALENT.
 5. PLATING: Ni 100~300 Micro-inch
 Au 50 Micro-inch MIN

APPROVALS	DATE	TopLine®			
DRAWN T. Au	04/07/2018				
ENG M. Hart	04/07/2018	TITLE TO-5 HEADER 4L 1-LEAD GROUNDED			
MFG		SCALE 7.5:1	SIZE A	DRAWING NO. 164383	REV A
QA		DO NOT SCALE DRAWING			SHEET 1 OF 1
CUST					
REVISED					