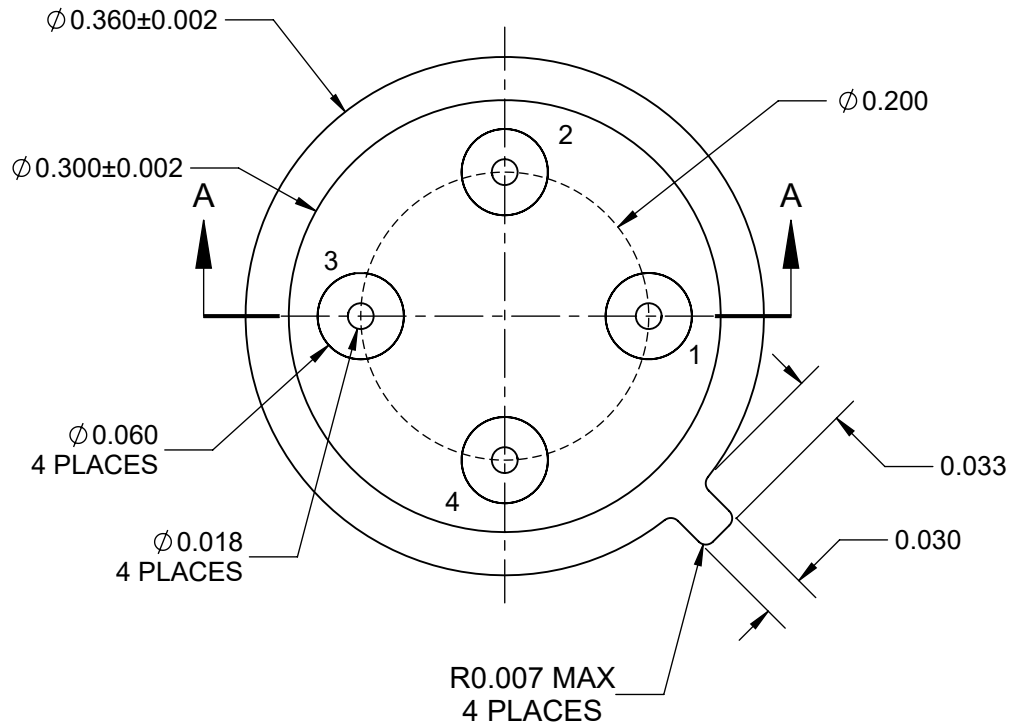
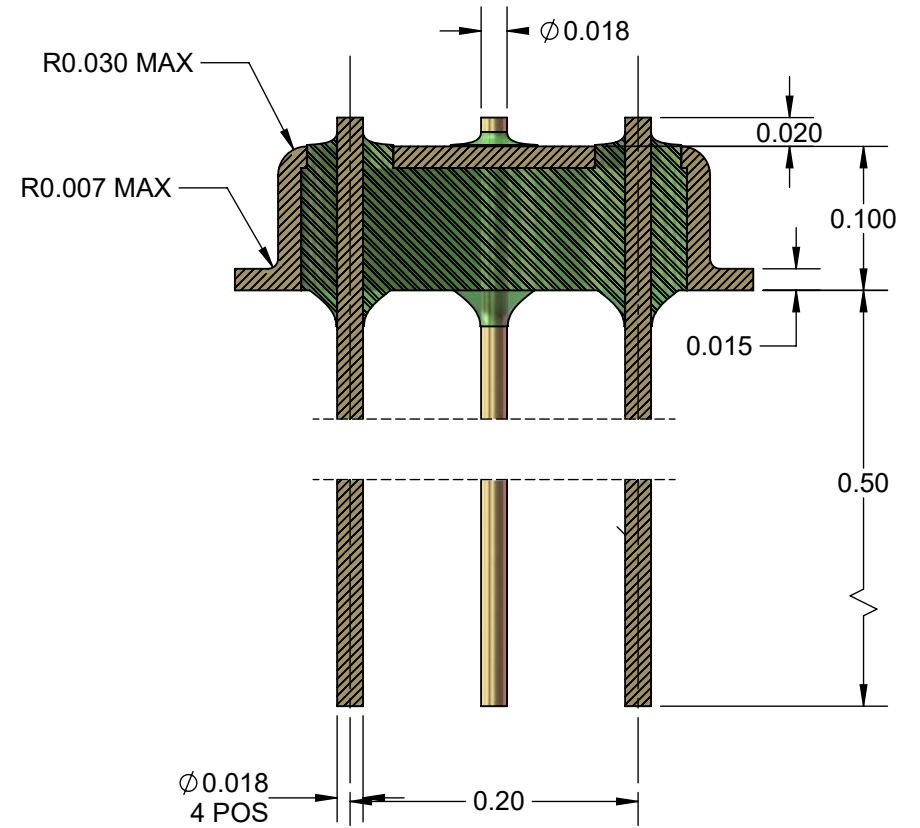


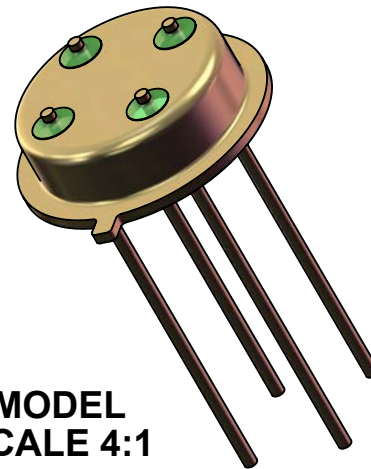
TOP VIEW



SECTION VIEW A-A



SECTION A-A
SCALE 7.5 : 1



**MODEL
SCALE 4:1**

NOTES:

1. DIMENSIONS in INCH (Unless Otherwise Specified).
2. BODY KOVAR ASTM F45 ALLOY 42.
3. LEADS KOVAR ASTM F15.
4. GLASS 7052 OR EQUIVALENT.
5. PLATING: Ni 100~300 Micro-inch
Au 50 Micro-inch MIN

APPROVALS	DATE	TopLine®			
DRAWN T. Au	04/14/2018				
ENG M. Hart	04/14/2018	TITLE TO-5 HEADER 4L STRAIGHT PIN ISOLATED			
MFG		SCALE	SIZE	DRAWING NO.	REV
QA		7.5:1	A	180528	A
CUST		DO NOT SCALE DRAWING			SHEET 1 OF 1
REVISED					