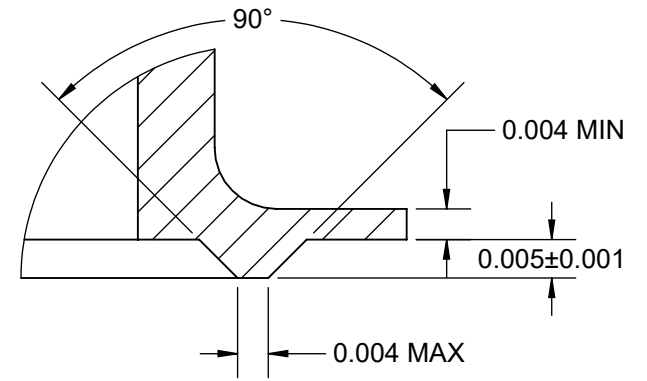
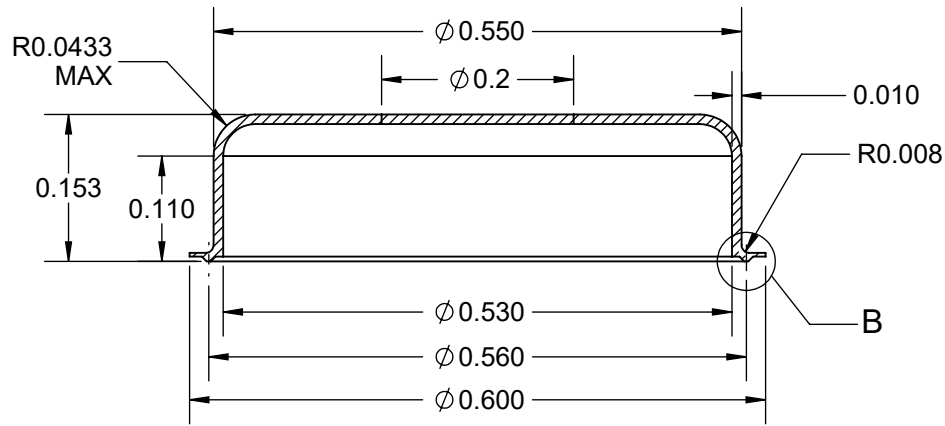
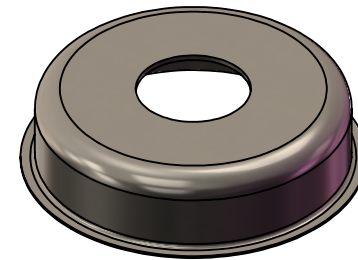
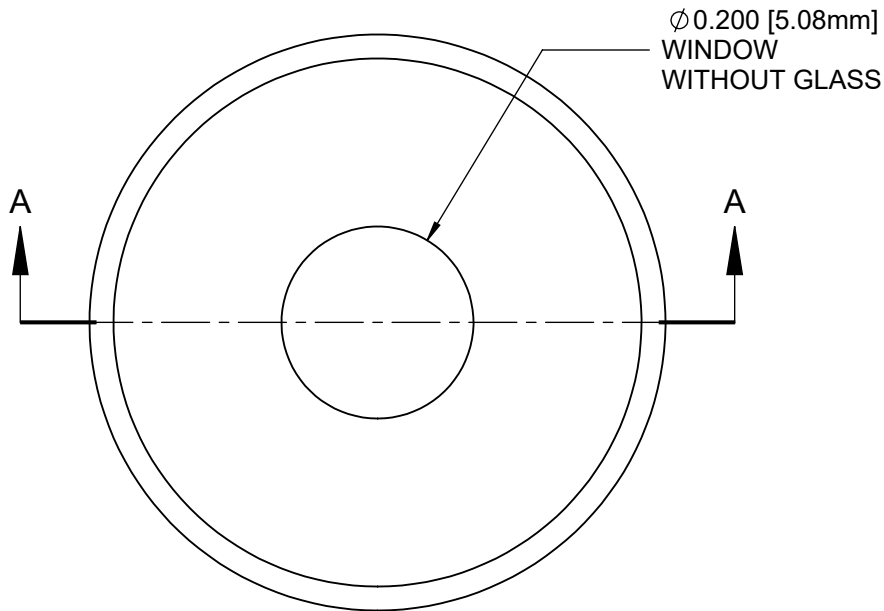


# SECTION A-A



DETAIL B  
SCALE 40 : 1



MODEL

Notes: (Unless Otherwise Specified)

- 1) CAN - CAP LID FOR TO-8.
- 2) NICKEL PATED KOVAR.
- 3) WELD PROJECTION.
- 4) DIMENSIONS IN INCH [mm].

APPROVALS	DATE	<b>TopLine®</b>			
DRAWN T. Au	5/15/2022				
ENG M. Hart	5/15/2022	TITLE TO-8-H-5mm CAN 0.153" H WITH 5.08mm WINDOW			
MFG		SCALE	SIZE	DRAWING NO.	REV
QA		5:1	A	150850	A
CUST		DO NOT SCALE DRAWING			SHEET 1 OF 1
REVISED					