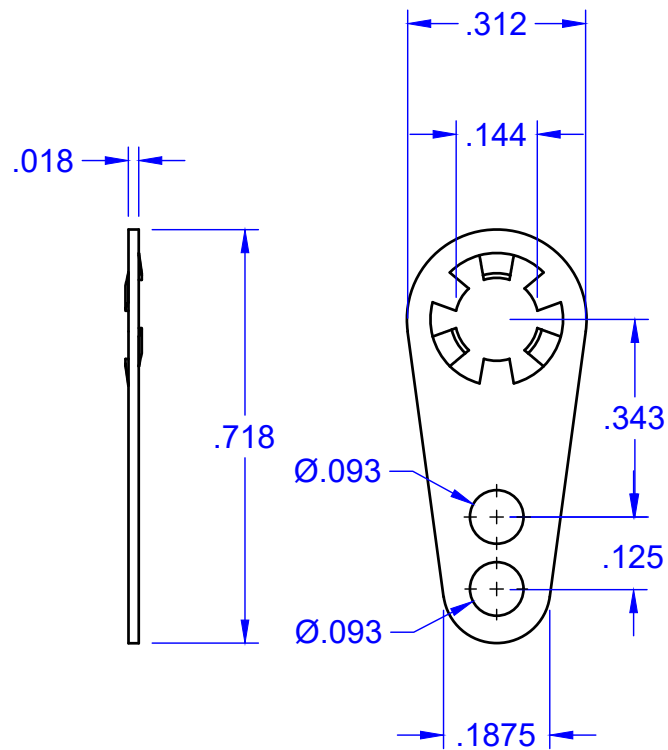
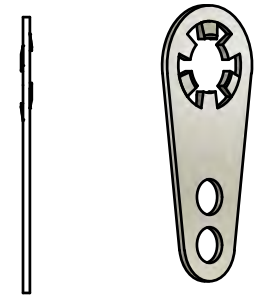


PIERCE TERMINAL


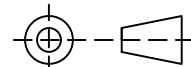
MODELS



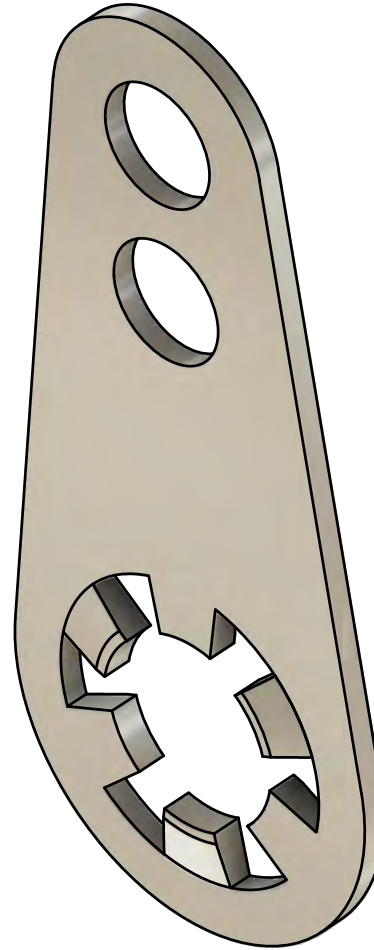
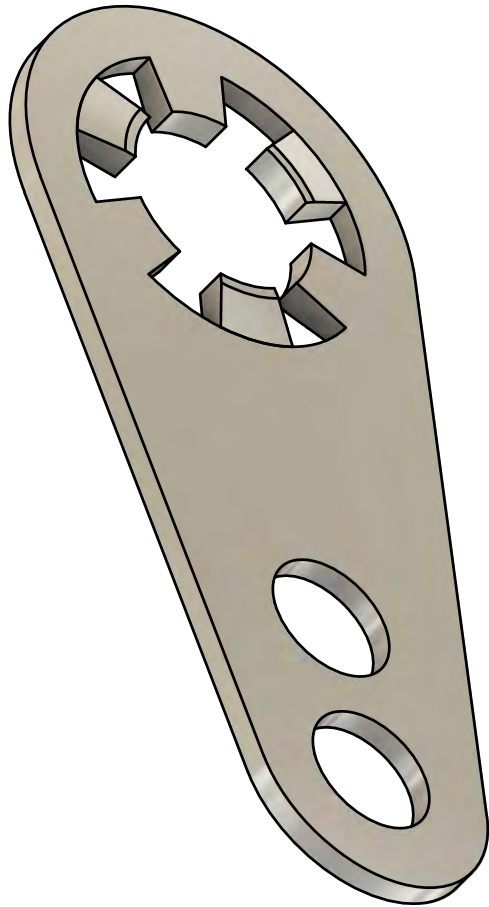
ORDER NUMBER TABLE	
ORDER NUMBER	STANDARD PACKAGE QTY
106000	1
106005	5
106025	25
106100	100
106500	500
106999	1000

NOTES: (UNLESS OTHERWISE SPECIFIED)

1. DIMENSION INCH [mm]
2. MATERIAL: TINNED SOLID COPPER
3. FEDERAL SPEC: QQ-W-343G AND QQ-W343S-S1T

APPROVAL	DATE				
DRAWN W. Pegeus	4/24/2023				
ENG		TITLE PIERCE TERMINAL 106XXX SERIES			
MFG					
QA					
CUST					
REVISED					
THIRD ANGLE PROJECTION		SCALE	SIZE	DWG NO	REV
		2:1	A	106000	A
DO NOT SCALE					SHEET 1 OF 2

MODEL



TopLine[®]

TITLE			
PIERCE TERMINAL 106XXX SERIES			
SCALE	SIZE	DWG NO	REV
8:1	A	106000	A
DO NOT SCALE			SHEET 2 OF 2