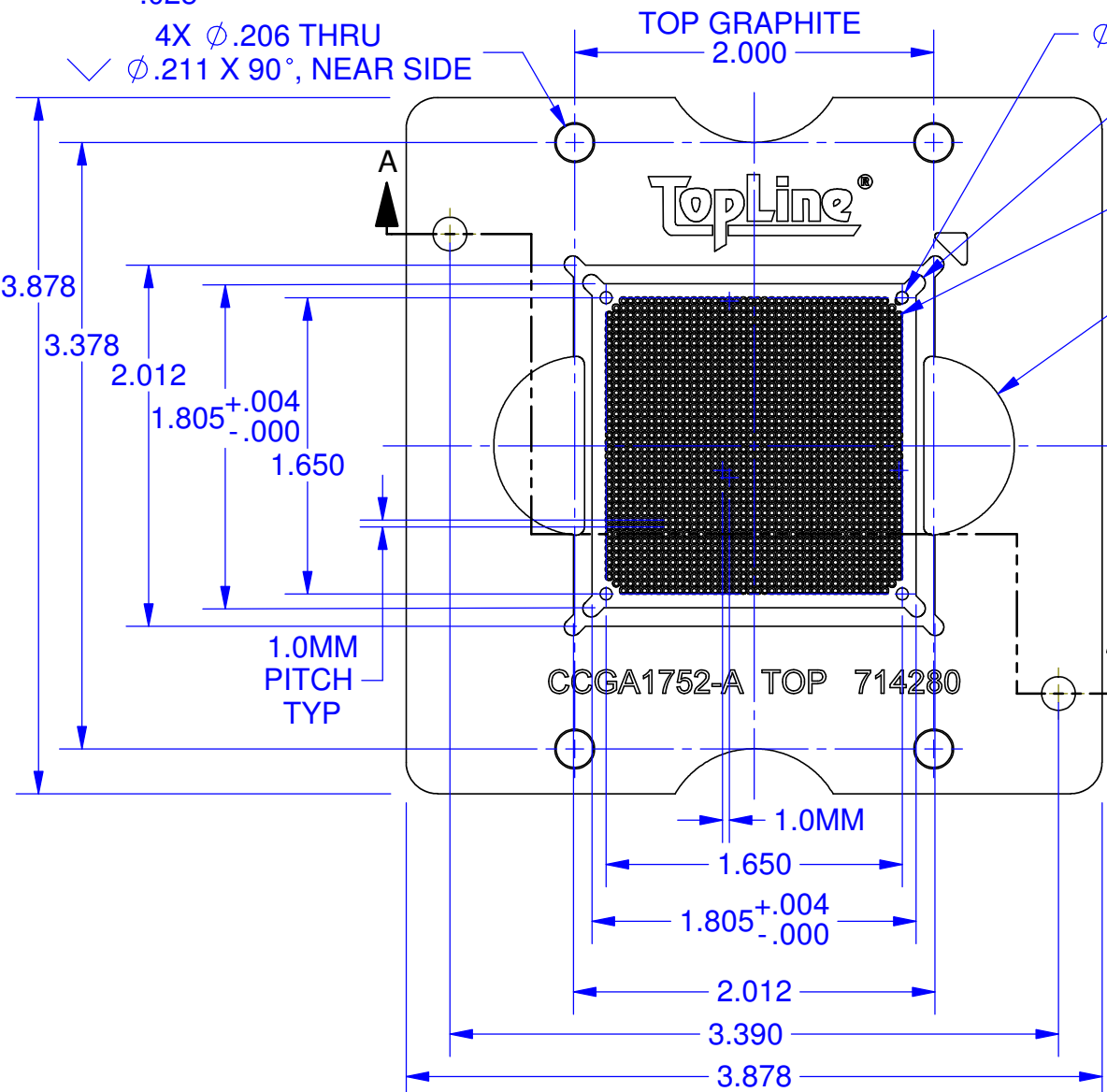
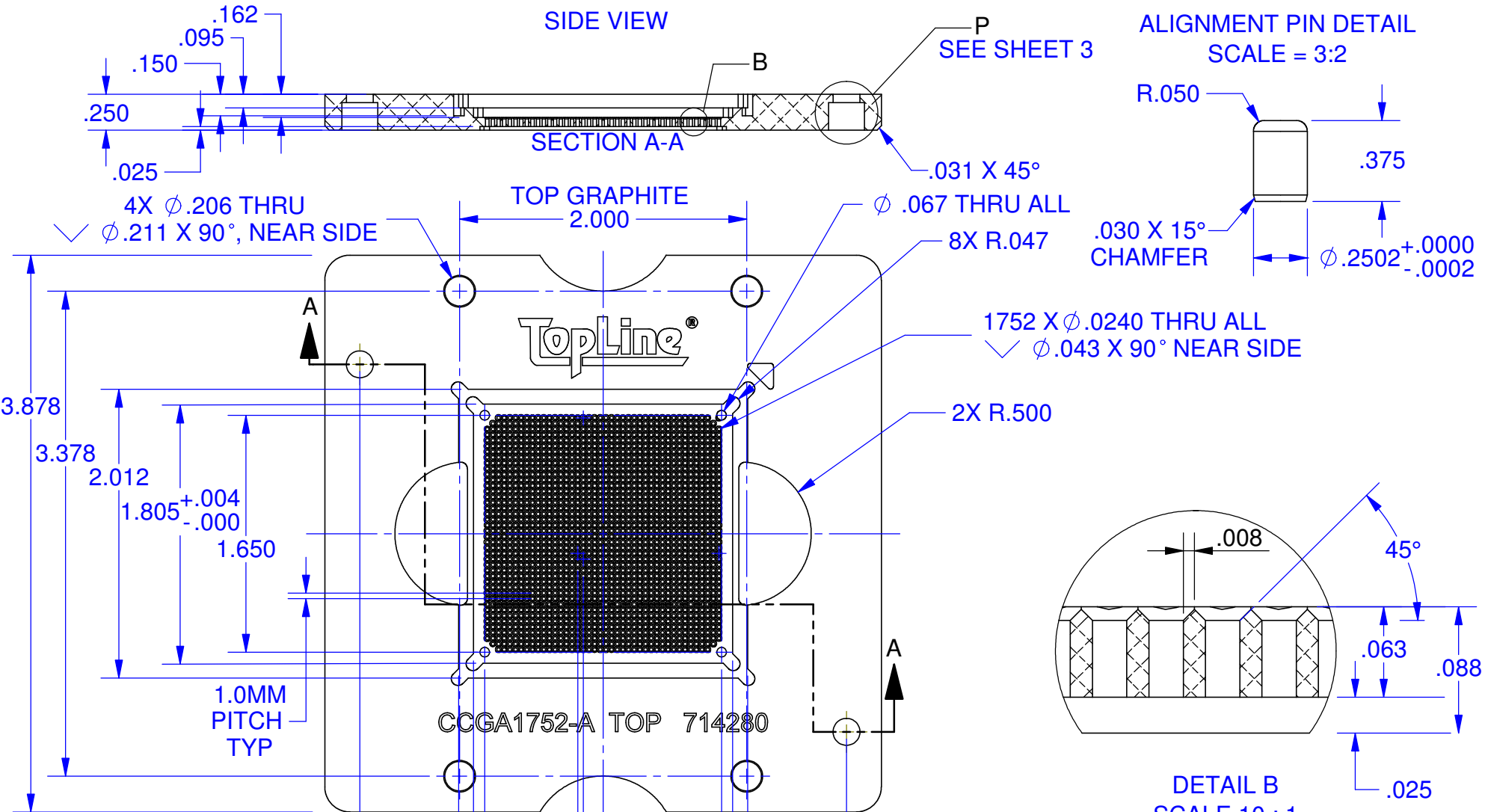


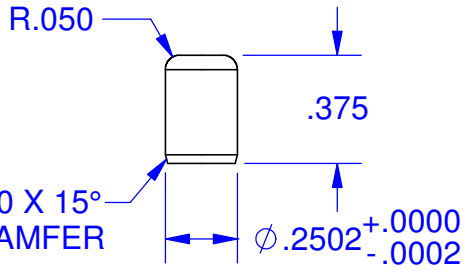
SIDE VIEW

SECTION A-A

ALIGNMENT PIN DETAIL
SCALE = 3:2

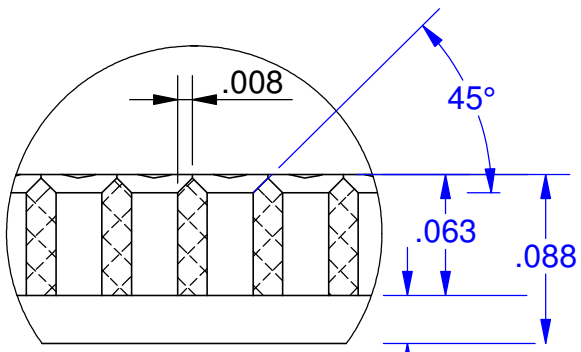


P
SEE SHEET 3



1752 X ϕ .0240 THRU ALL
 \checkmark ϕ .043 X 90° NEAR SIDE

2X R.500



NOTES: (UNLESS OTHERWISE SPECIFIED).
 1) DIMENSIONS: INCH [MM].

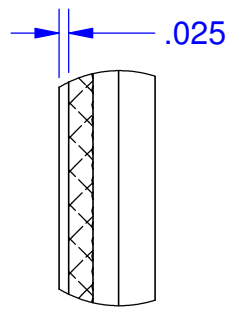
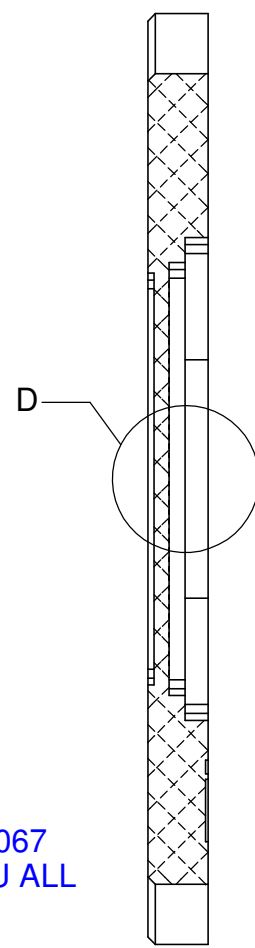
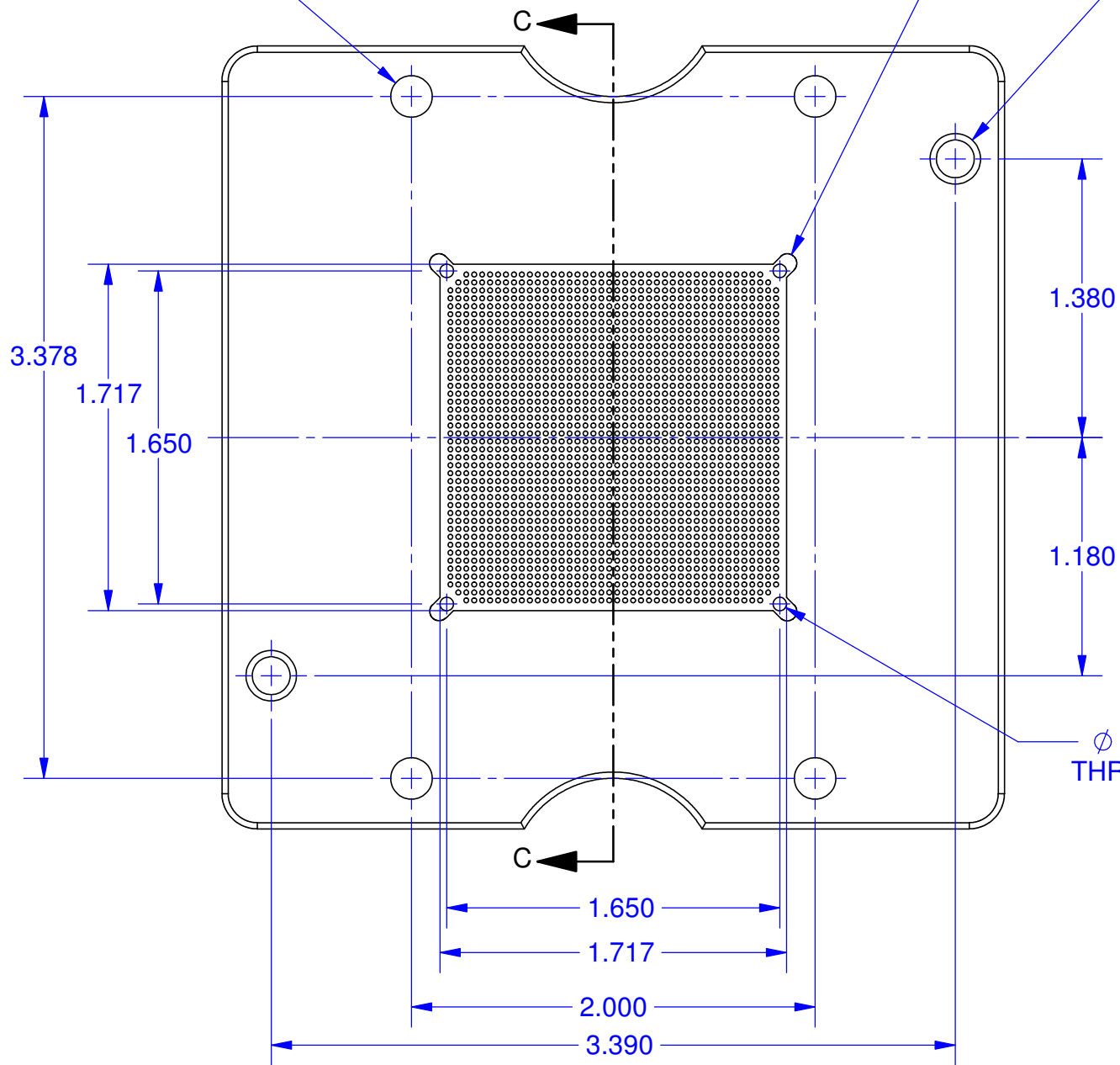
APPROVALS		DATE				
DRAWN	R. Le	6/14/2018				
ENG	M. Hart	6/14/2018	TITLE C7-GRAPHITE-1752-A			
MFG			GRAPHITE TOOL			
QA			SCALE 1:1	SIZE A	DRAWING NO. 714280	REV A
CUST			DO NOT SCALE DRAWING			SHEET 1 OF 15
REVISED						

BOTTOM VIEW
TOP GRAPHITE

ϕ .206 THRU ALL

4X R.05

ϕ .188 THRU ALL
 ϕ .2503^{+0.0002}_{-.0000} ∇ .193

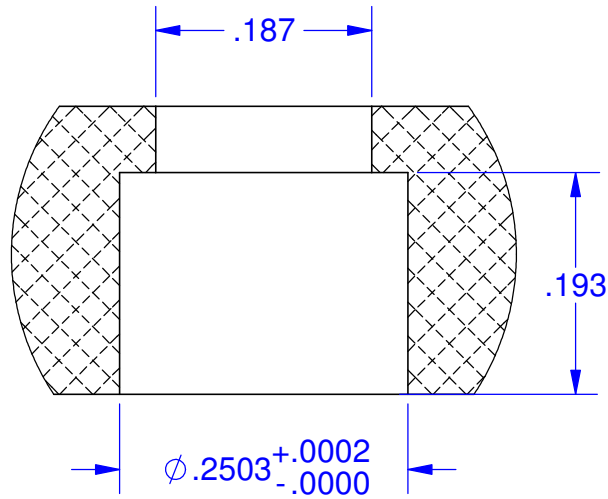


DETAIL D
SCALE 2 : 1

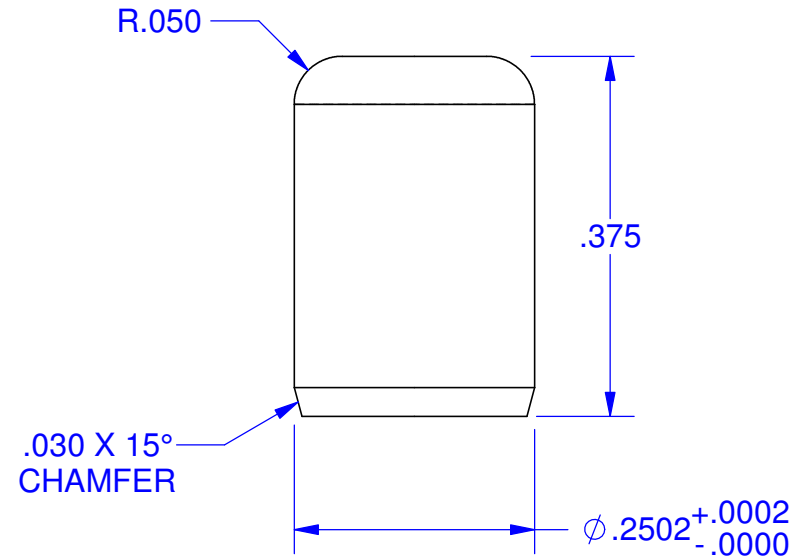
SECTION C-C

TopLine [®]			
TITLE C7-GRAPHITE-1752-A GRAPHITE TOOL			
SCALE 1.25:1	SIZE A	DRAWING NO. 714280	REV A
DO NOT SCALE DRAWING		SHEET 2 OF 15	

ALIGNMENT PIN
DWG 702551



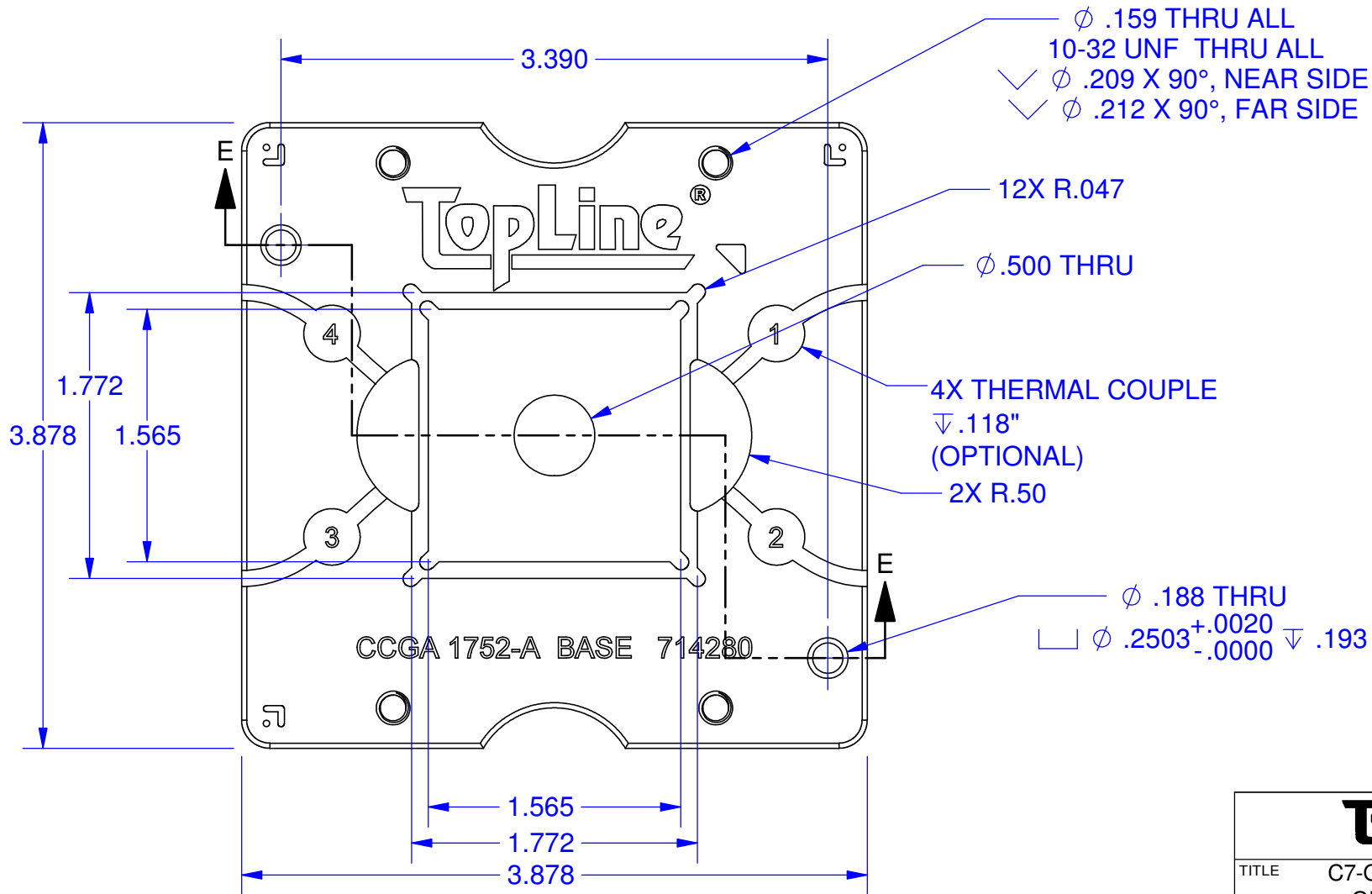
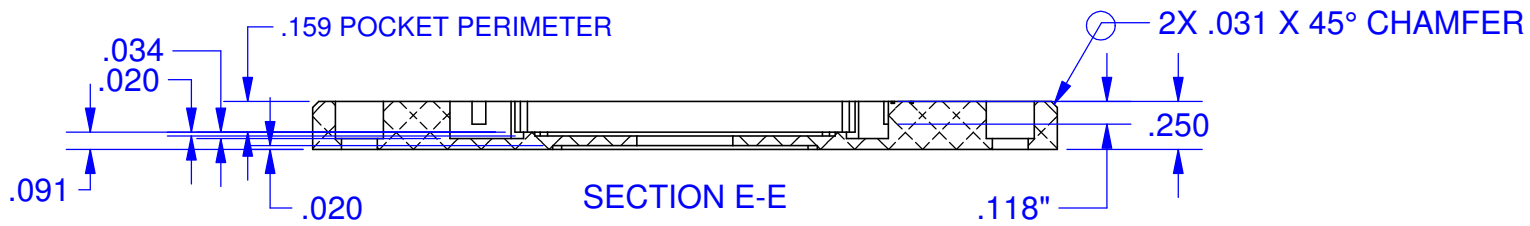
DETAIL P
SEE SHEET 1



NOTES: (UNLESS OTHERWISE SPECIFIED).
1) DIMENSIONS: INCH [MM].

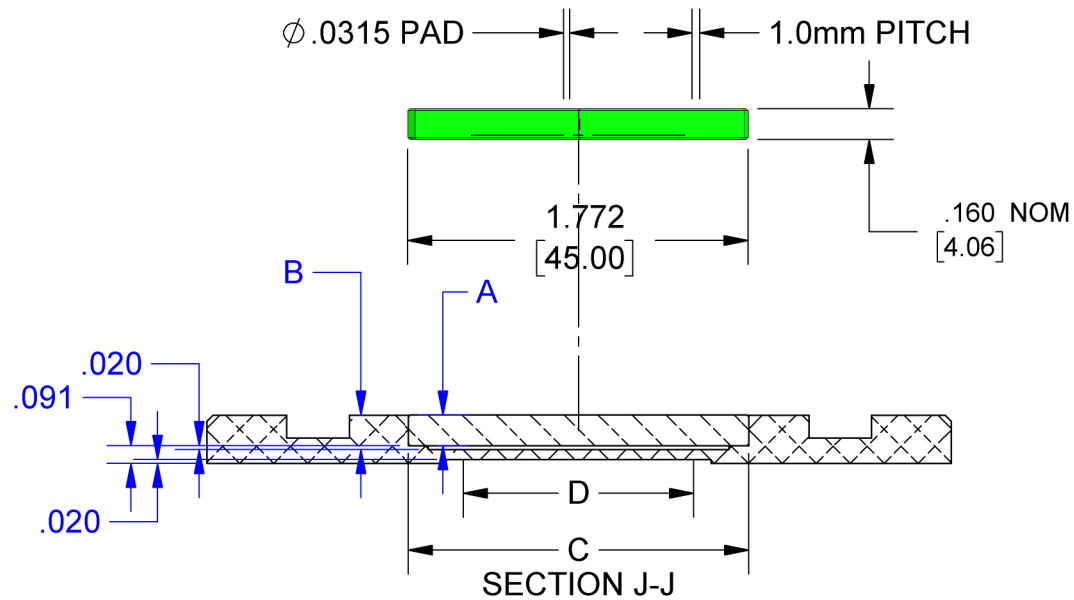
TopLine ®			
TITLE C7-GRAPHITE-1752-A GRAPHITE TOOL			
SCALE 6:1	SIZE A	DRAWING NO. 714280	REV A
DO NOT SCALE DRAWING			SHEET 3 OF 15

SIDE VIEW

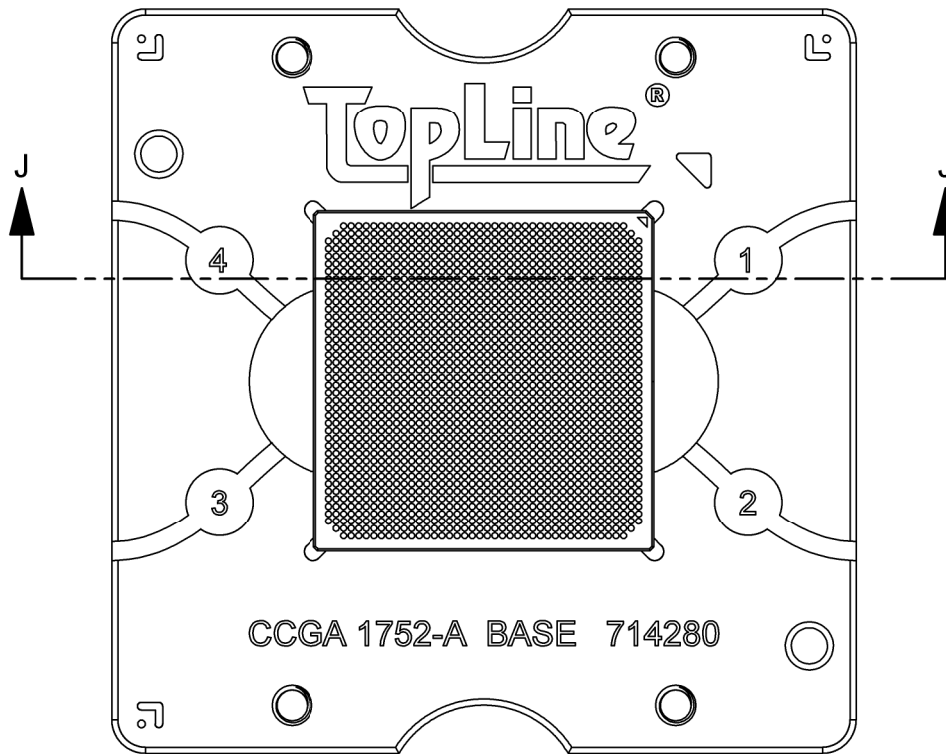


TOP VIEW
BASE GRAPHITE


TopLine [®]			
TITLE C7-GRAPHITE-1752-A GRAPHITE TOOL			
SCALE 1:1	SIZE A	DRAWING NO. 714280	REV A
DO NOT SCALE DRAWING		SHEET 4 OF 15	



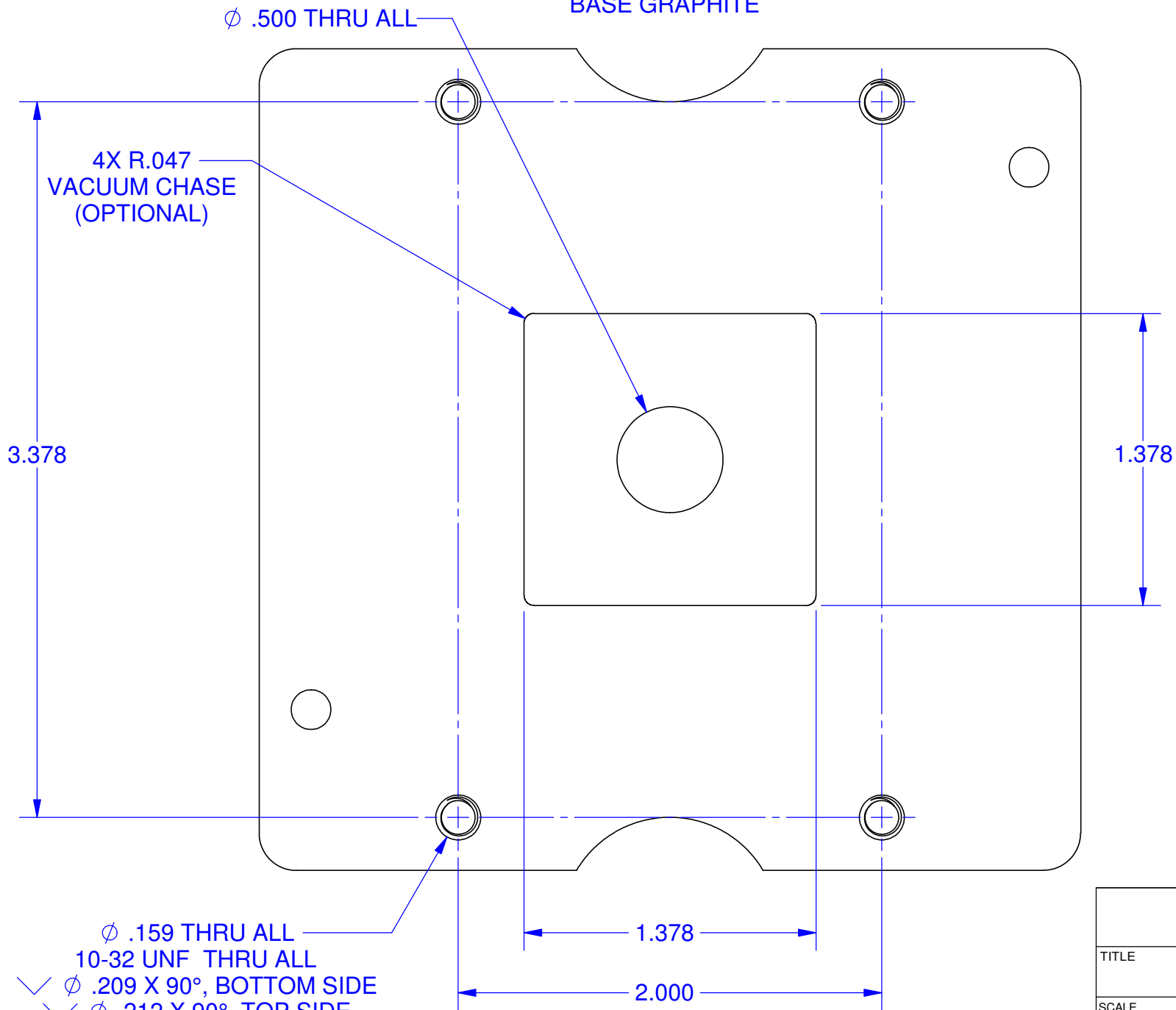
REF	DESCRIPTION	INCH
A	POCKET DEPTH PERIMETER	0.159
B	POCKET DEPTH FOR + LID	0.179
C	POCKET X/Y	1.772
D	LID DOWNSET X/Y	N/A



BASE ASSEMBLY

			
TITLE		C7-GRAPHITE-1752-A GRAPHITE TOOL	
SCALE	SIZE	DRAWING NO.	REV
1:1	A	714280	A
DO NOT SCALE DRAWING			SHEET 5 OF 15

BOTTOM VIEW
BASE GRAPHITE



TopLine[®]

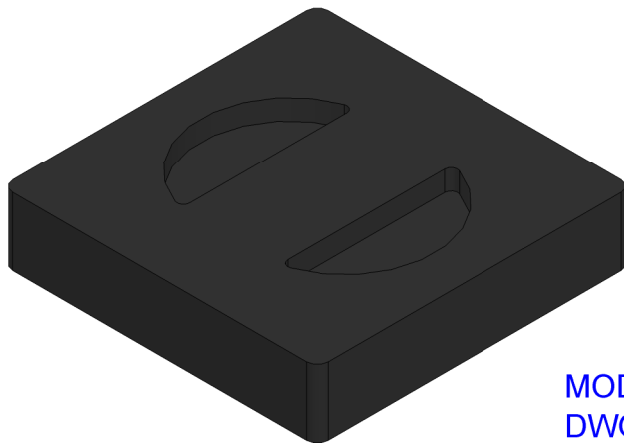
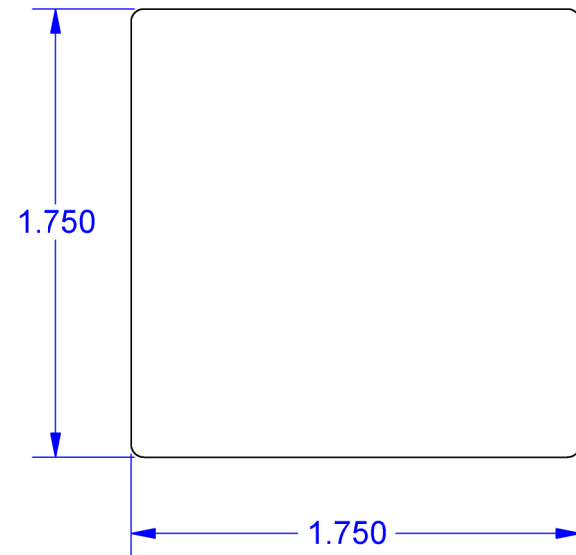
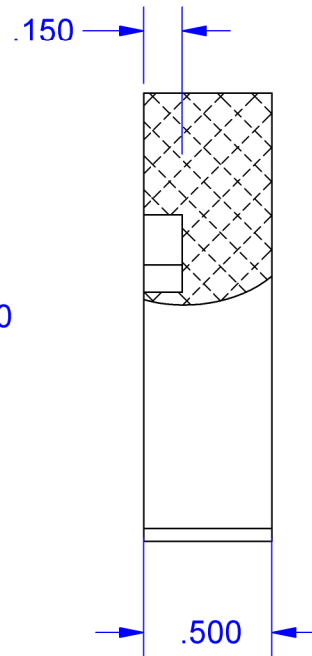
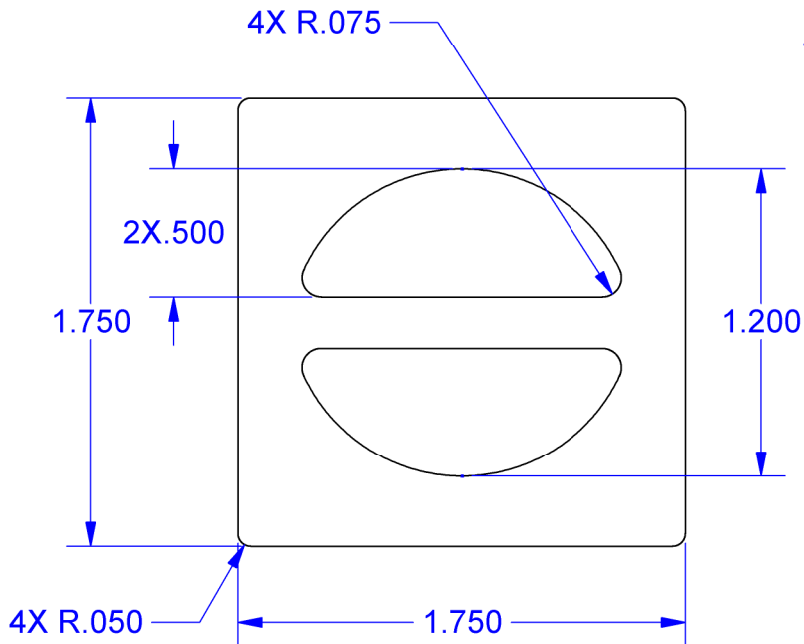
TITLE			
C7-GRAPHITE-1752-A GRAPHITE TOOL			
SCALE	SIZE	DRAWING NO.	REV
1.5:1	A	714280	A
DO NOT SCALE DRAWING			SHEET 6 OF 15

**C7-WEIGHT-A
700150**

TOP VIEW

SIDE VIEW

BOTTOM VIEW

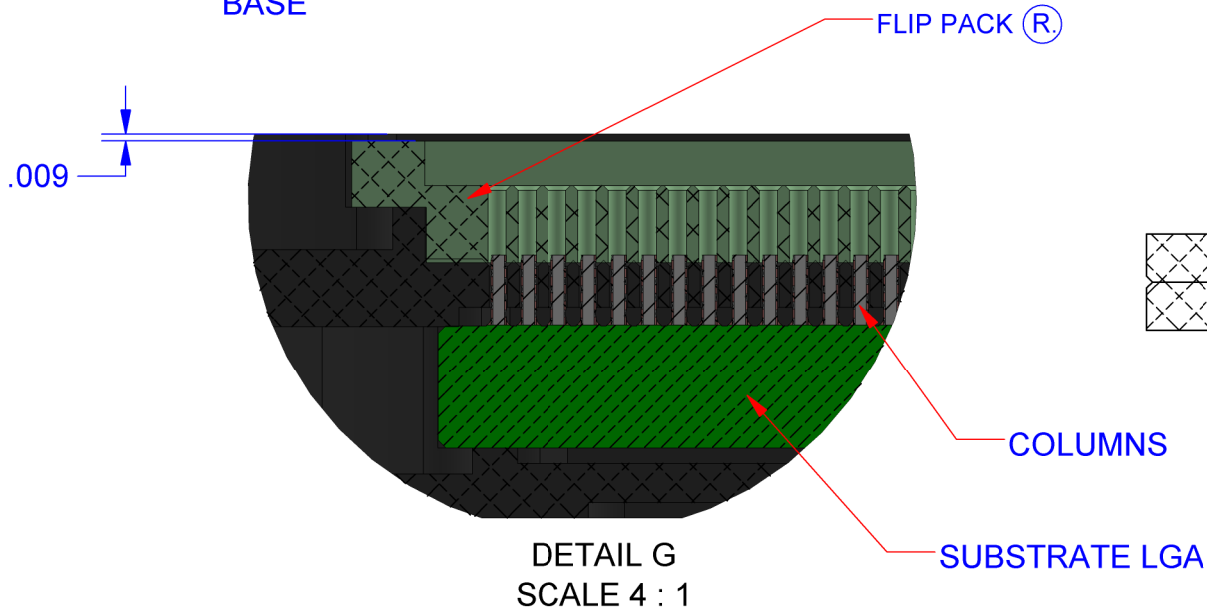
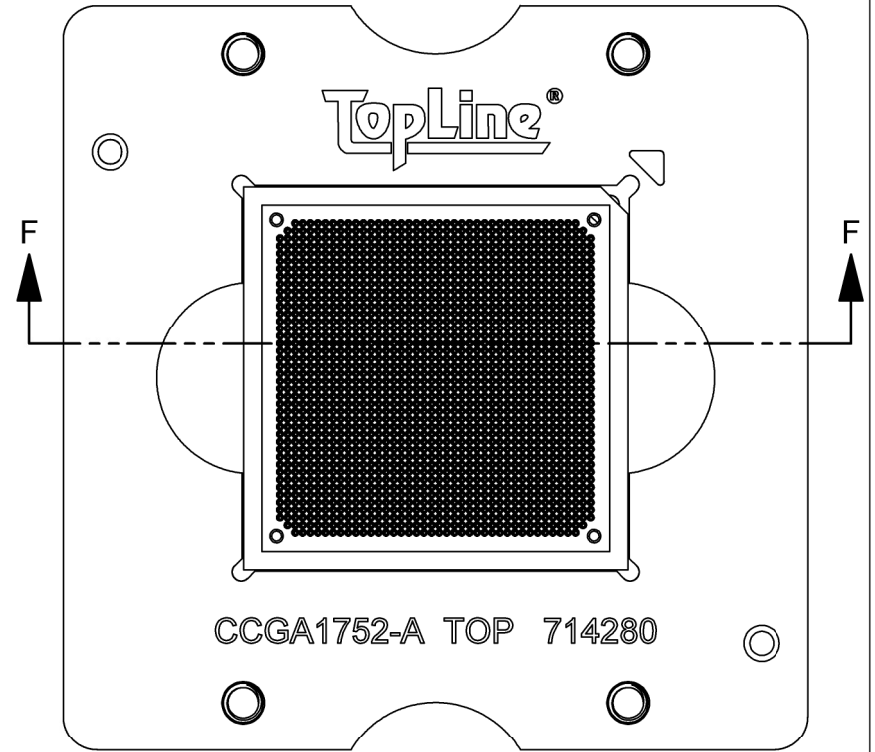
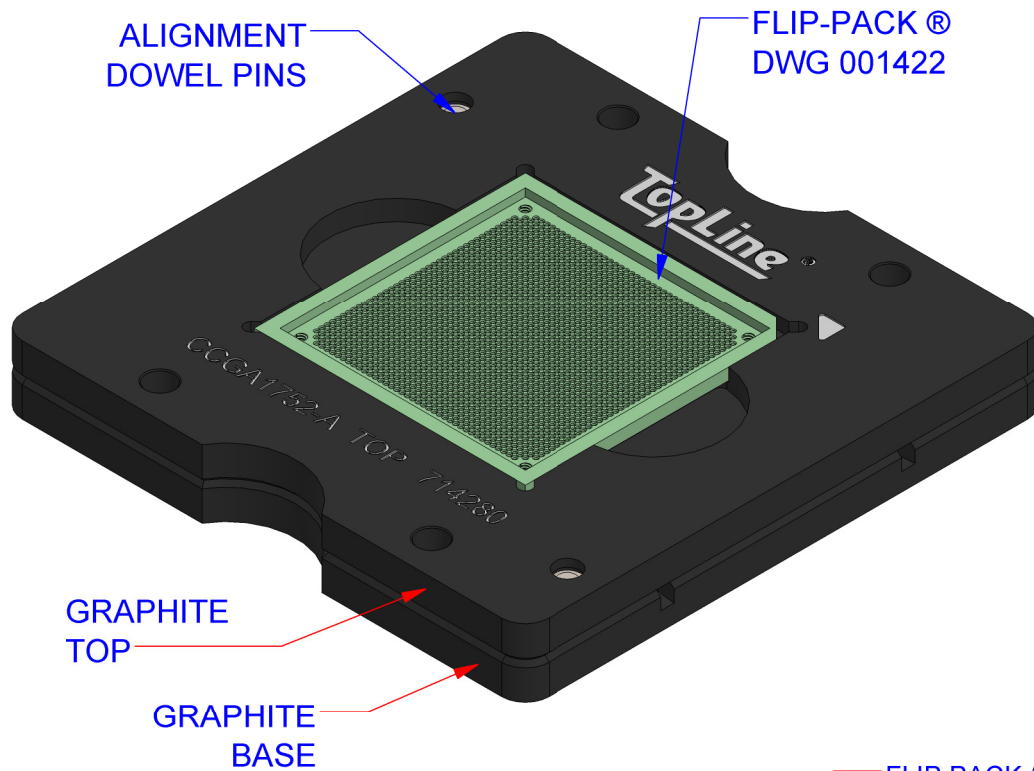


**MODEL
DWG 700150**

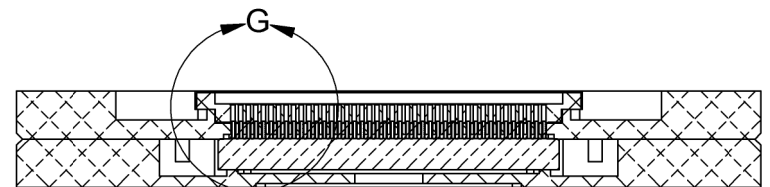
NOTES: (UNLESS OTHERWISE SPECIFIED).

- 1) DIMENSIONS: INCHES.
- 2) MATERIAL: GRAPHITE.
- 3) OMNI-DIRECTIONAL.
- 4) APPLICATION: APPLIES PRESSURE TO COLUMNS.

TopLine[®]			
TITLE		C7-GRAPHITE-1752-A GRAPHITE TOOL	
SCALE	SIZE	DRAWING NO.	REV
2:1.5	A	714280	A
DO NOT SCALE DRAWING			SHEET 7 OF 15



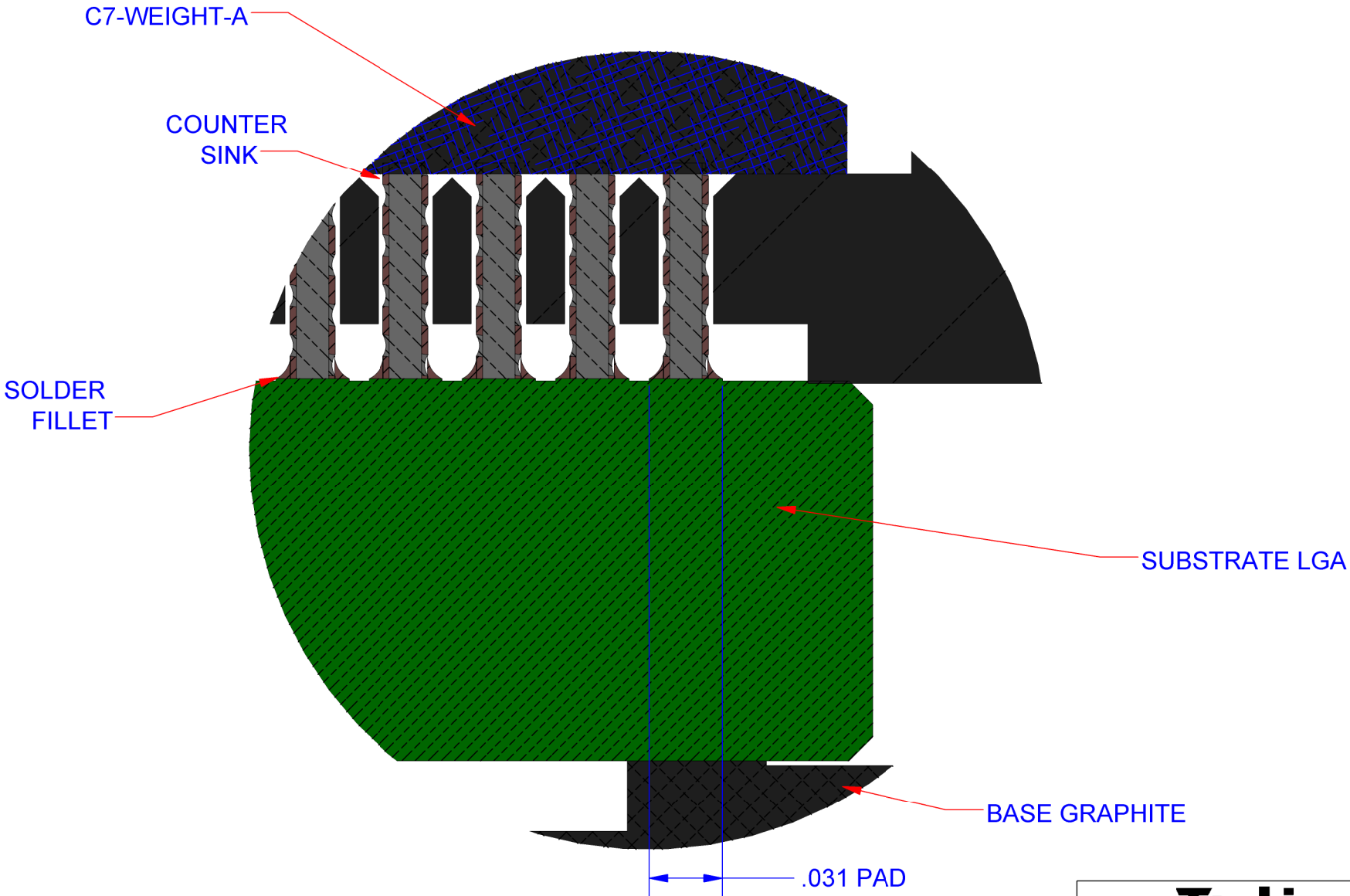
TWO SECTIONS GRAPHITE SEATED TOGETHER



SECTION F-F

TopLine®			
TITLE C7-GRAPHITE-1752-A GRAPHITE TOOL			
SCALE 1:1	SIZE A	DRAWING NO. 714280	REV A
DO NOT SCALE DRAWING			SHEET 8 OF 15

STACK-UP DIAGRAM



DETAIL Q
SEE SHEET 12

TopLine ®			
TITLE		C7-GRAPHITE-1752-A GRAPHITE TOOL	
SCALE	SIZE	DRAWING NO.	REV
16:1	A	714280	A
DO NOT SCALE DRAWING			SHEET 9 OF 15

EXPLODED SIDE VIEW

FLIP-PACK ®
U.S. PATENT 9,629,259

COLUMNS
X 1752

GRAPHITE
TOP

CCGA
LGA

GRAPHITE
BASE

PADS

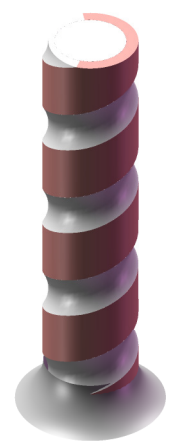
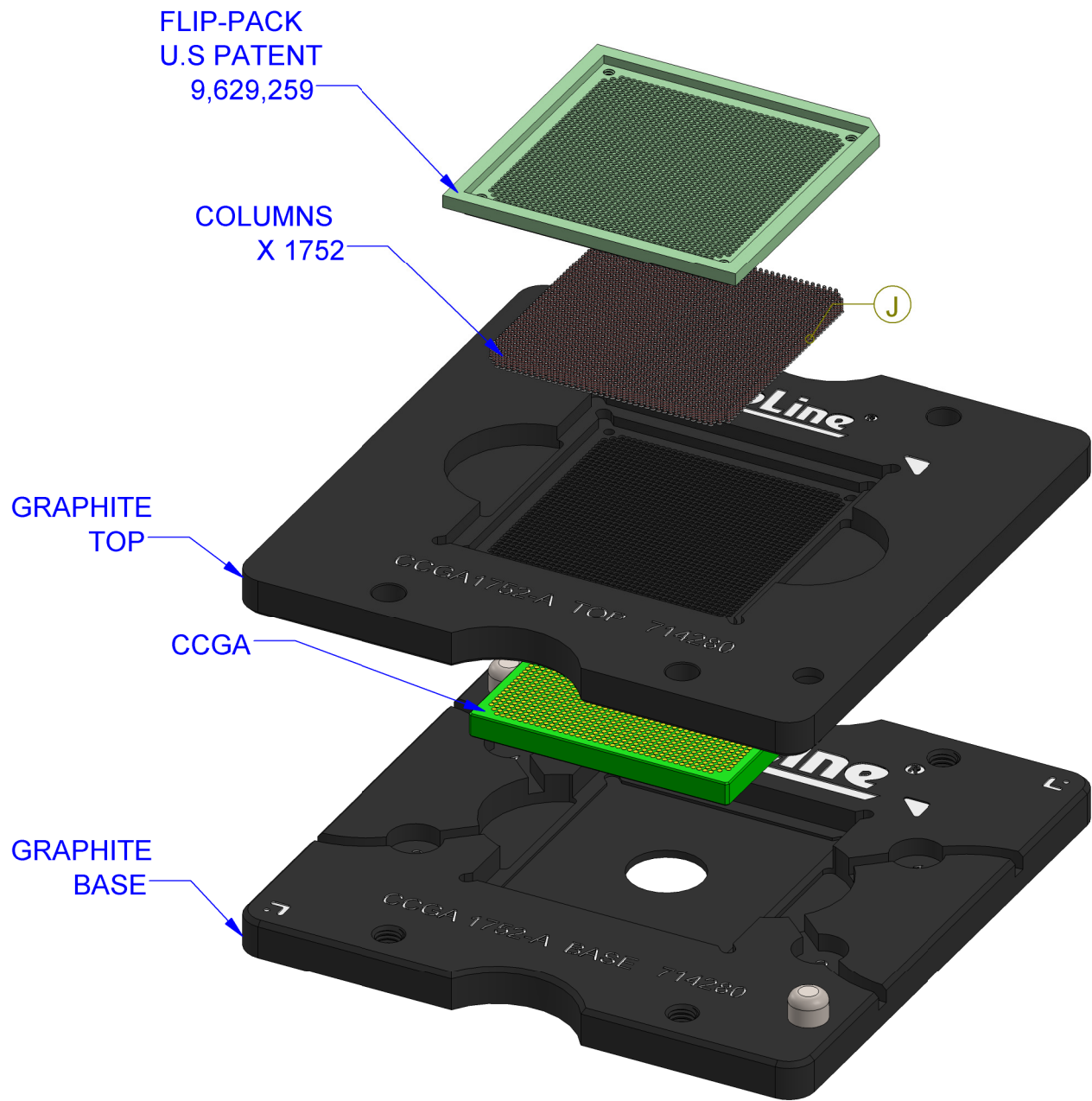
H



DETAIL H
SCALE 16 : 1

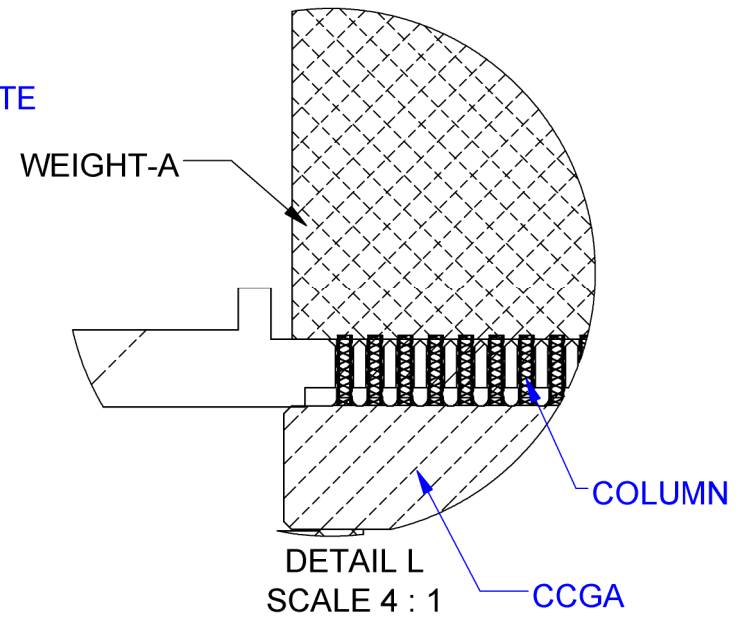
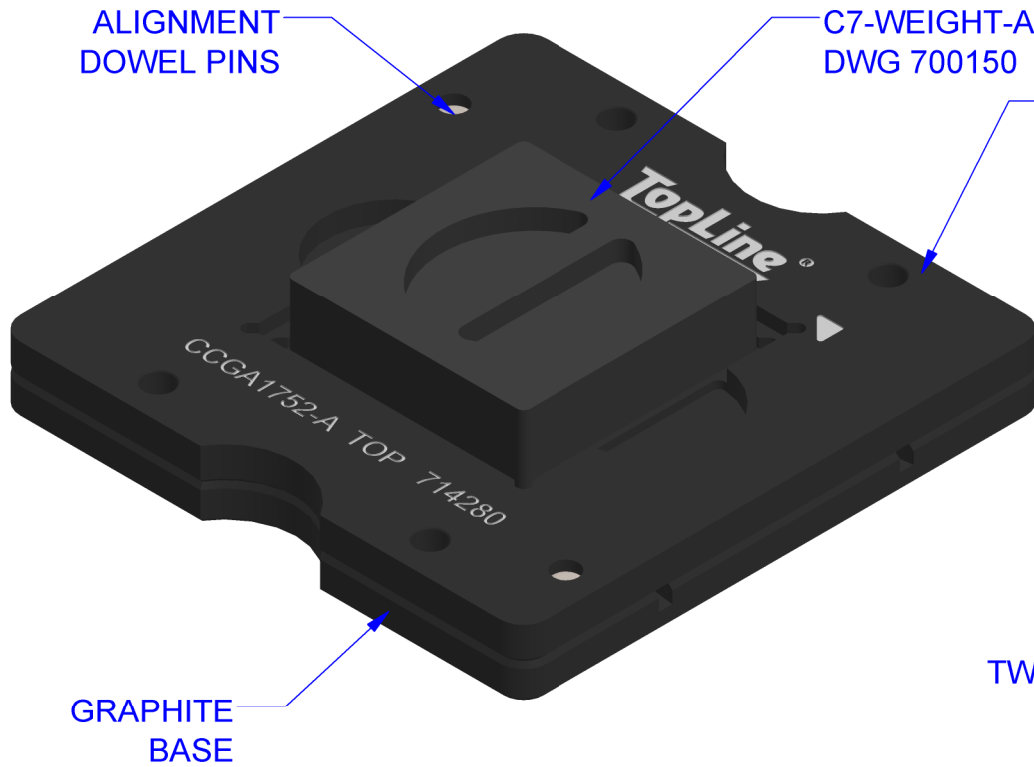
TopLine ®			
TITLE		C7-GRAPHITE-1752-A GRAPHITE TOOL	
SCALE	SIZE	DRAWING NO.	REV
1:1	A	714280	A
DO NOT SCALE DRAWING			SHEET 10 OF 15

EXPLODED ISOMETRIC VIEW

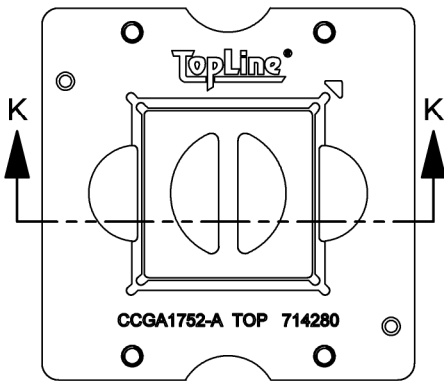


**DETAIL J
SCALE 25 : 1**

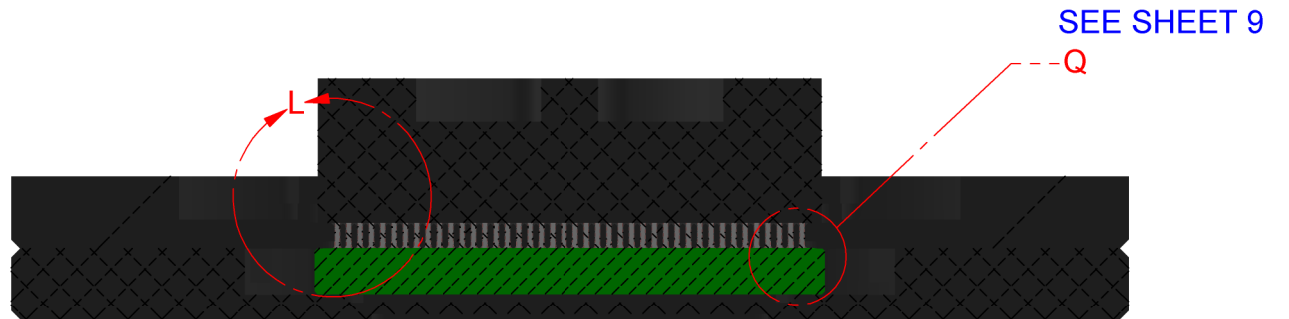
TopLine[®]			
TITLE		C7-GRAPHITE-1752-A GRAPHITE TOOL	
SCALE	SIZE	DRAWING NO.	REV
0.85:1	A	714280	A
DO NOT SCALE DRAWING			SHEET 11 OF 15



TWO SECTIONS GRAPHITE SEATED TOGETHER



SCALE= 1:2



SECTION K-K
SCALE 1.5 : 1

SEE SHEET 9

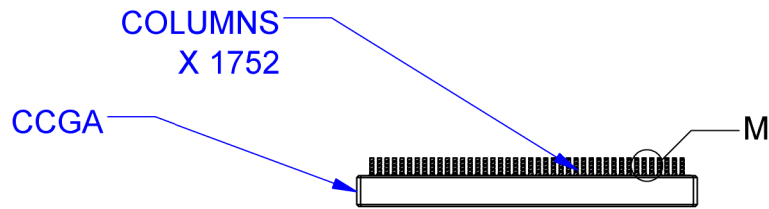
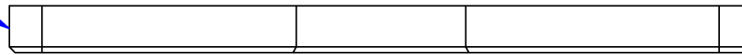
TopLine ®			
TITLE		C7-GRAPHITE-1752-A GRAPHITE TOOL	
SCALE	SIZE	DRAWING NO.	REV
1:1	A	714280	A
DO NOT SCALE DRAWING			SHEET 12 OF 15

EXPLODED SIDE VIEW

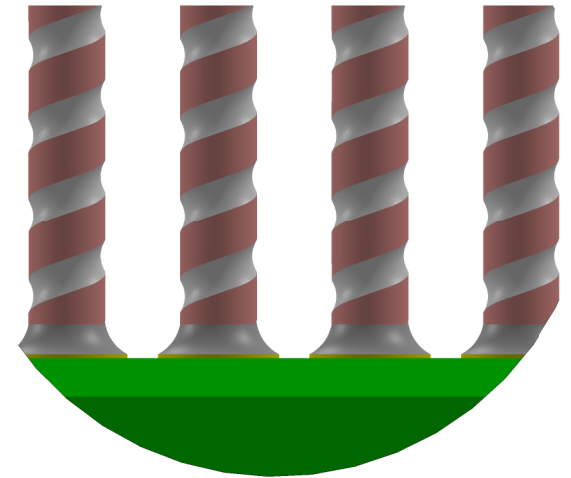
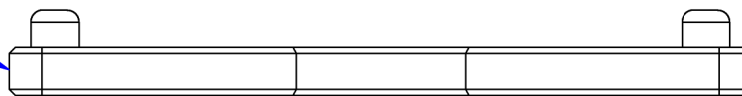
C7-WEIGHT-A
DWG 700150



GRAPHITE
TOP



GRAPHITE
BASE

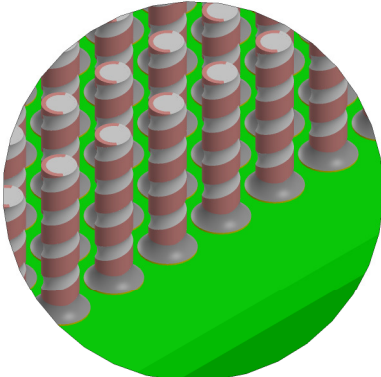
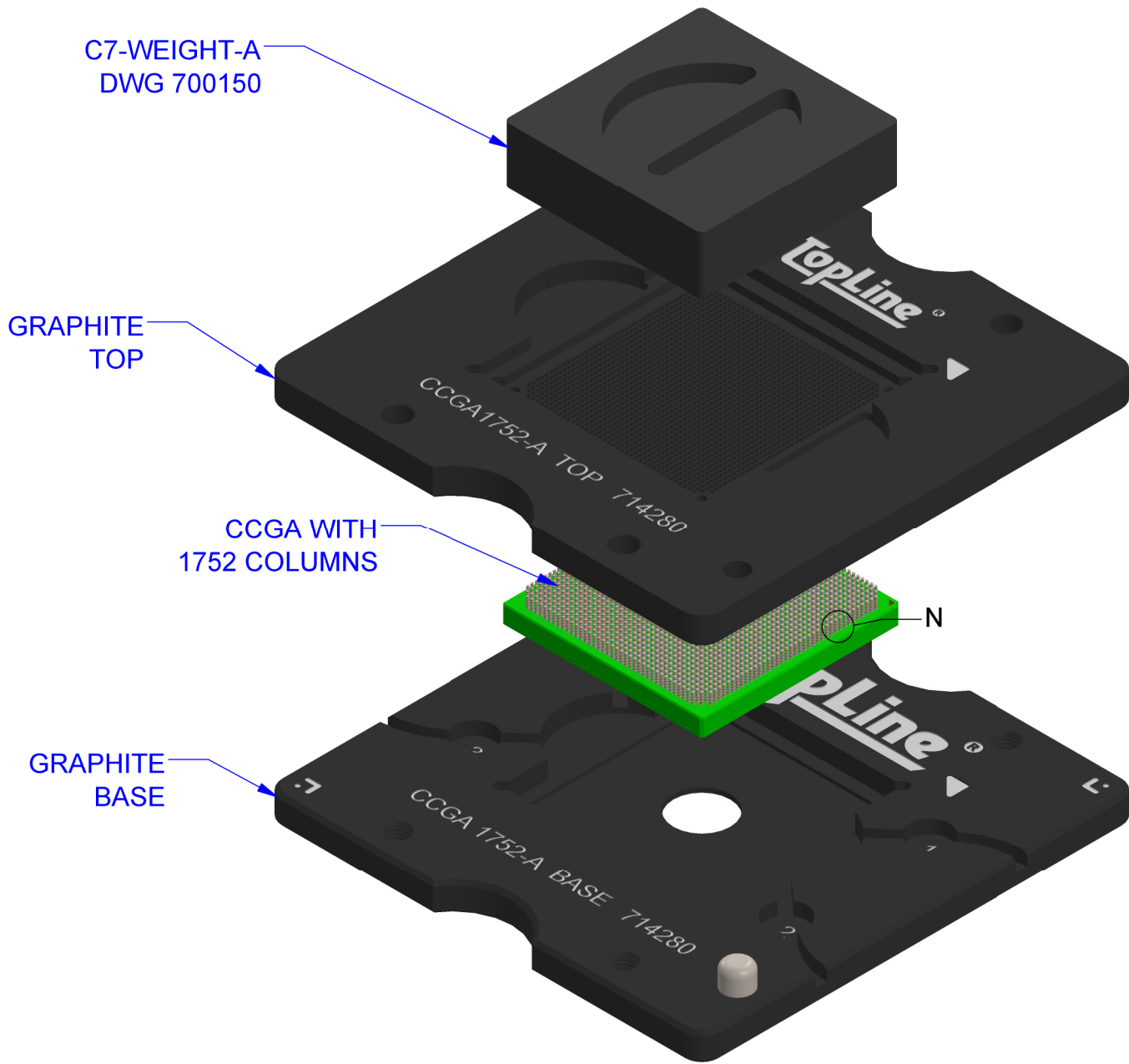


DETAIL M
SCALE 20 : 1

Sn63Pb37 FILLET
AFTER REFLOW

TopLine [®]			
TITLE		C7-GRAPHITE-1752-A GRAPHITE TOOL	
SCALE	SIZE	DRAWING NO.	REV
1:1	A	714280	A
DO NOT SCALE DRAWING			SHEET 13 OF 15

EXPLODED ISOMETRIC VIEW

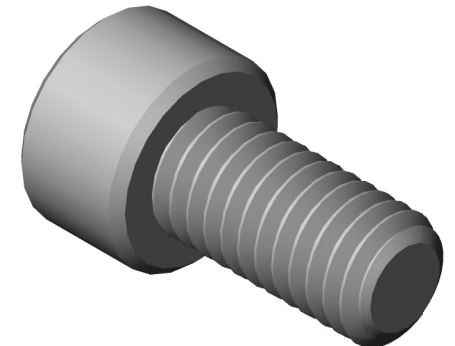
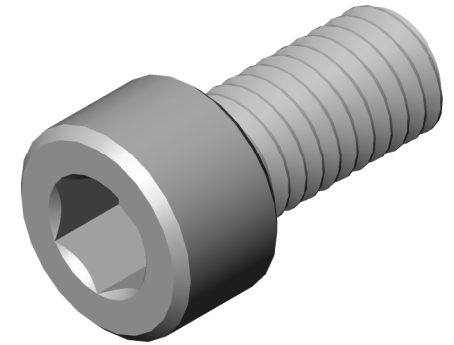
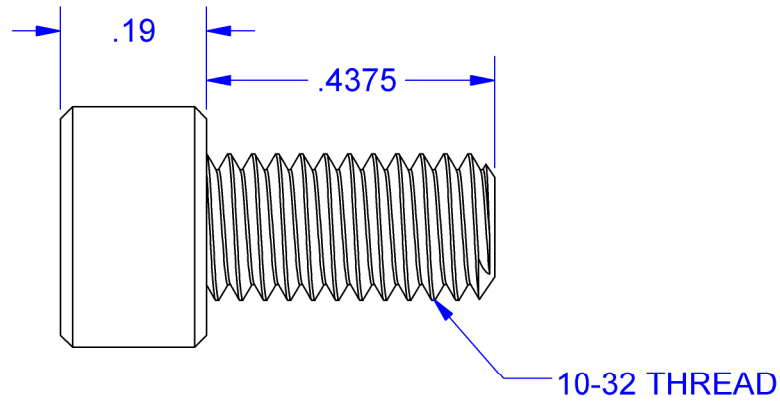
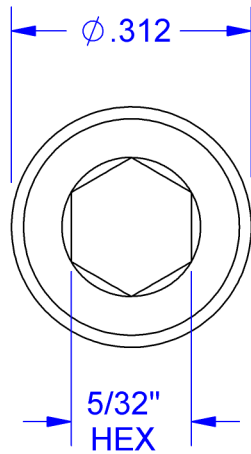


DETAIL N
SCALE 10 : 1
Sn63Pb37 FILLET
AFTER REFLOW

TopLine [®]			
TITLE		C7-GRAPHITE-1752-A GRAPHITE TOOL	
SCALE	SIZE	DRAWING NO.	REV
0.85:1	A	714280	A
DO NOT SCALE DRAWING			SHEET 14 OF 15

CAP SCREW DWG 703235

MODELS



NOTES:

- 1) DIMENSIONS: INCH (UNLESS OTHERWISE SPECIFIED).
- 2) MATERIAL: SEE TABLE.
- 3) THREAD: SEE TABLE.
- 4) COLOR: STAINLESS.
- 5) REF: 92185A969.

DRILL TABLE

MATERIAL	THREAD	MAX OD	TAP DRILL START HOLE	CL HOLE CLOSE FIT	DWG
STAINLESS	10-32	0.190"	0.156"	0.206"	703235

TopLine[®]

TITLE				C7-GRAPHITE-1752-A GRAPHITE TOOL			
SCALE	SIZE	DRAWING NO.		REV			
4:1	A	714280		A			
DO NOT SCALE DRAWING						SHEET 15 OF 15	